

**BALDOR<sup>®</sup> • RELIANCE** 

**Product Information Packet**

**CXM28342T**

**30//25HP,1770//1470RPM,3PH,60//50HZ,286T**

Part Detail							
Revision:	A	Status:	PRD/A	Change #:		Proprietary:	No
Type:	AC	Elec. Spec:	10WGZ506	CD Diagram:	CD0005	Mfg Plant:	
Mech. Spec:		Layout:	10LYE251	Poles:	04	Created Date:	01-08-2021
Base:		Eff. Date:	02-25-2021	Leads:	9#10		

Specs			
Catalog Number:	CXM28342T	Electrically Isolated Bearing:	Not Electrically Isolated
Enclosure:	XPFC	Feedback Device:	NO FEEDBACK
Frame:	286TC	Heater Indicator:	No Heater
Frame Material:	Iron	Insulation Class:	B
Output @ Frequency:	25.000 HP @ 50 HZ	Inverter Code:	Inverter Duty
	30.000 HP @ 60 HZ	IP Rating:	NONE
Synchronous Speed @ Frequency:	1800 RPM @ 60 HZ	KVA Code:	G
Voltage @ Frequency:	380.0 V @ 50 HZ	Lifting Lugs:	Standard Lifting Lugs
	460.0 V @ 60 HZ	Locked Bearing Indicator:	Locked Bearing
	190.0 V @ 50 HZ	Motor Lead Termination:	Flying Leads
	230.0 V @ 60 HZ	Motor Type:	1060M
XP Class and Group:	CLI GP D; CLII GP F,G	Mounting Arrangement:	F1
XP Division:	Division I	Power Factor:	84
Agency Approvals:	UR	Product Family:	Hazardous Location Motor
	CSA EEV	Pulley Face Code:	C-Face
	CSA	Rodent Screen:	None
Auxillary Box:	No Auxillary Box	RoHS Status:	ROHS NON-COMPLIANT
Auxillary Box Lead Termination:	None	Shaft Ground Indicator:	No Shaft Grounding

<b>Base Indicator:</b>	Rigid	<b>Shaft Rotation:</b>	Reversible
<b>Bearing Grease Type:</b>	Polyrex EM (-20F +300F)	<b>Speed Code:</b>	Single Speed
<b>Blower:</b>	None	<b>Motor Standards:</b>	NEMA
<b>Constant Torque Speed Range:</b>	6	<b>Starting Method:</b>	Direct on line
<b>Current @ Voltage:</b>	72.000 A @ 230.0 V	<b>Thermal Device - Bearing:</b>	None
	36.000 A @ 460.0 V	<b>Thermal Device - Winding:</b>	Normally Closed Thermostat
<b>Design Code:</b>	B	<b>Vibration Sensor Indicator:</b>	No Vibration Sensor
<b>Drip Cover:</b>	No Drip Cover	<b>Winding Thermal 1:</b>	None
<b>Duty Rating:</b>	CONT	<b>Winding Thermal 2:</b>	None
		<b>XP Temp Code:</b>	T3C

Nameplate NP0887XPSLEV									
NO.					CC	010A			
S/N					TEMP CODE	T3C			
SPEC.	10-0000-1919				INV.TYPE	PWM			
CAT.NO.	CXM28342T				C HP FR	60		C HP TO	90
HP	30//25				CT HZ FROM	6		CT HZ TO	60
VOLTS	230/460//190/380				VT HZ FROM	6		VT HZ TO	60
AMPS	72/36				MAG CUR	27.6/13.8			
RPM	1770//1470				MX RPM	2700			
HZ	60//50	PH	3	CL	F	NOM.EFF.	93.6		
SER.F.	1.00	DES	B	SL HZ	1	WK2	4.79		
FRAME	286TC	RATING			40C AMB-CONT				
	1.15SF ON SINEWAVE								
	NEMA MG-1 PT.5,IP54								

Parts List		
Part Number	Description	Quantity
SA389432	SA 10-0000-1919	1.000 EA
RA379814	RA 10-0000-1919	1.000 EA
LB1115N	LABEL,LIFTING DEVICE (ON ROLLS)	1.000 EA
LC0005E01	SPL CONN.DIA./WARN.LABEL(LC0005/LB1119)	1.000 EA
NP0887XPSLEV	SS XP INV UL CSA-EEV CC CL-I GP-D	1.000 EA
85XU0407S04	4X1/4 U DRIVE PIN STAINLESS	4.000 EA
85XU0407S04	4X1/4 U DRIVE PIN STAINLESS	2.000 EA
MN416A01	TAG-INSTAL-MAINT no wire (2100/bx) 4/22	1.000 EA
LB1073	ALUM XP CAUTION LABEL	1.000 EA
10FH1008A05	310 FAN HOUSING X-PROOF MACH. W/EPOXY PR	1.000 EA
HW1001A31	LOCKWASHER 5/16, ZINC PLT.591 OD, .319 I	3.000 EA
10XN3118K12	5/16-18 X .75 GRADE 5, ZINC PLATED	3.000 EA
09FN3001C02	EXTERNAL FAN, PLASTIC (COMES W/SCREW FRO	1.000 EA
HW2500A25	WOODRUFF KEY USA #1008 #BLOW CARBON STEE	1.000 EA
MJ1000A02	GREASE, MOBIL POLYREX EM - 124047	0.130 LB
10EP1701A01	FR ENDPLATE, MACH	1.000 EA
HA3050A03	3/8-16 X 2.25" GRADE 8 BOLT	4.000 EA
HW1001A38	LOCKWASHER 3/8, ZINC PLT .688 OD, .382 I	4.000 EA
HW5100A11	W3917-042 WVY WSHR (WB)	1.000 EA
HA4017A03	.125 X 1.75 GREASE EXT (F/S)	1.000 EA
HA4017A11	1/8 X 2.75 GREASE EXT (F/S)	1.000 EA
HW4019A01	PIPE COUPLING 1/8 NPT,STEEL,ZINC COATING	1.000 EA
HA4051A00	PLASTIC CAP FOR GREASE FITTING	1.000 EA
HW4500A21	1618BALEMITE FITTING 825 UNIVERSAL	1.000 EA

Parts List (continued)		
Part Number	Description	Quantity
HW4500A20	1/8NPT SL PIPE PLUG	1.000 EA
10EP1710A07	FACE MTD. E.P., MACH X-PROOF W/LABYRINTH	1.000 EA
HW1001A38	LOCKWASHER 3/8, ZINC PLT .688 OD, .382 I	4.000 EA
HA3050A03	3/8-16 X 2.25" GRADE 8 BOLT	4.000 EA
10XN2520K40	1/4-20 X 2-1/2 HEX HD CAPSCREW, GRADE 5,Z	4.000 EA
HW1001A25	LOCKWASHER 1/4, ZINC PLT .493 OD, .255 I	4.000 EA
HA4051A00	PLASTIC CAP FOR GREASE FITTING	1.000 EA
HW4500A03	GREASE FITTING, .125 NPT 1610(ALEMITE) 8	1.000 EA
HW4500A20	1/8NPT SL PIPE PLUG	1.000 EA
12CB1001A01	K.O.BOX, MACH X-PROOF, 1.50 NPT HOLE	1.000 EA
10XN3118K16	5/16-18 X 1' GRADE #5, STL, ZINC PLATE	4.000 EA
HW1001A31	LOCKWASHER 5/16, ZINC PLT.591 OD, .319 I	4.000 EA
WD1000B25	GND LUG, BURNDY L125HP OR T&B L125HP-BB	1.000 EA
19XW3118G08	.31-18X.50,HEX WSHR HD,TAPTITE 2,GREEN	1.000 EA
12CB1501A01	COND.BOX LID, MACH., X-PROOF, 310,312	1.000 EA
10XN3816K20	3/8-16 X 1.25 HEX HD CAP GRADE 5	6.000 EA
HW1001A38	LOCKWASHER 3/8, ZINC PLT .688 OD, .382 I	6.000 EA
MG1025G29	WILKOFAS, 789.229, DARK CHARCOAL GRAY	0.125 GA
12PA1000	PACKAGING GROUP PRINT PK1024A07	1.000 EA
HW2501H28	KEY, 1/2 SQ X 3.250	1.000 EA

**AC Induction Motor Performance Data**

Record # 66668

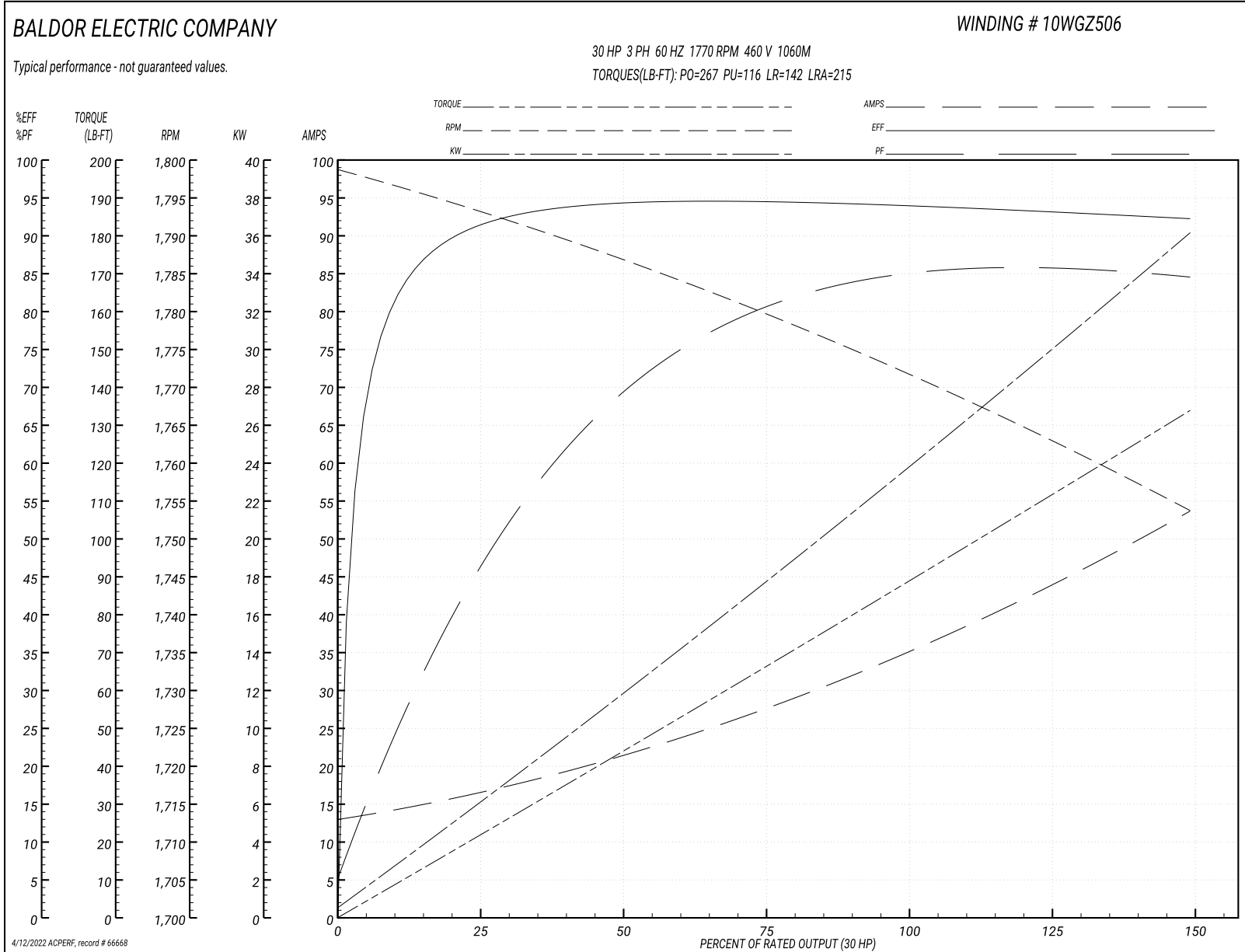
Typical performance - not guaranteed values

<b>Winding:</b> 10WGZ506-R011		<b>Type:</b> 1060M		<b>Enclosure:</b> XPFC	
<b>Nameplate Data</b>			<b>460 V, 60 Hz: Single Voltage Motor</b>		
<b>Rated Output (HP)</b>	30	<b>Full Load Torque</b>	88.64 LB-FT		
<b>Volts</b>	230/460	<b>Start Configuration</b>	direct on line		
<b>Full Load Amps</b>	72/36	<b>Breakdown Torque</b>	267 LB-FT		
<b>R.P.M.</b>	1770	<b>Pull-up Torque</b>	116 LB-FT		
<b>Hz</b>	60 <b>Phase</b>	3	<b>Locked-rotor Torque</b>	142 LB-FT	
<b>NEMA Design Code</b>	<b>B KVA Code</b>	G	<b>Starting Current</b>	215 A	
<b>Service Factor (S.F.)</b>		1	<b>No-load Current</b>	13.5 A	
<b>NEMA Nom. Eff.</b>	93.6	<b>Power Factor</b>	84	<b>Line-line Res. @ 25°C</b>	0.234 Ω
<b>Rating - Duty</b>	40C AMB-CONT		<b>Temp. Rise @ Rated Load</b>	62°C	
			<b>Locked-rotor Power Factor</b>	29.7	
			<b>Rotor inertia</b>	4.77 LB-FT <sup>2</sup>	

**Load Characteristics 460 V, 60 Hz, 30 HP**

<b>% of Rated Load</b>	<b>25</b>	<b>50</b>	<b>75</b>	<b>100</b>	<b>125</b>	<b>150</b>
<b>Power Factor</b>	48	71	80	84	85	85
<b>Efficiency</b>	91	94	94.3	94	93.7	92
<b>Speed</b>	1793	1787	1779	1772	1764	1753
<b>Line amperes</b>	15.8	21.1	27.8	35.6	44	53.5

Performance Graph at 460V, 60Hz, 30.0HP Typical performance - Not guaranteed values





**AC Induction Motor Performance Data**

Record # 86096

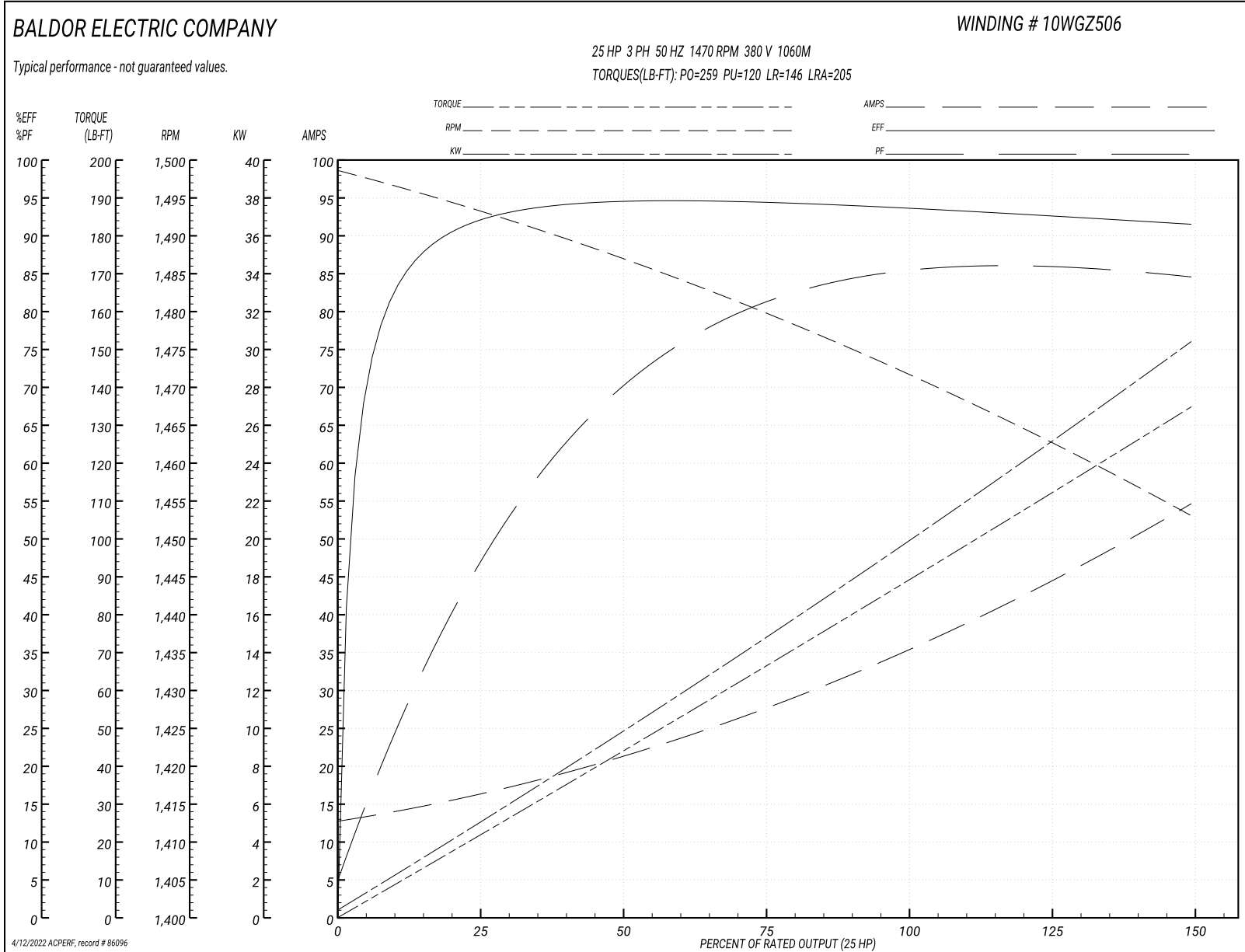
Typical performance - not guaranteed values

Winding: 10WGZ506-R021		Type: 1060M	Enclosure: XPFC	
<b>Nameplate Data</b>			<b>380 V, 50 Hz: High Voltage Connection</b>	
Rated Output (HP)	25	Full Load Torque	88.9 LB-FT	
Volts	190/380	Start Configuration	direct on line	
Full Load Amps	72/36	Breakdown Torque	259 LB-FT	
R.P.M.	1470	Pull-up Torque	120 LB-FT	
Hz	50 Phase	Locked-rotor Torque	146 LB-FT	
NEMA Design Code	B KVA Code	Starting Current	205 A	
Service Factor (S.F.)	1.15	No-load Current	13.26 A	
NEMA Nom. Eff.	92.6 Power Factor	Line-line Res. @ 25°C	0.234 Ω	
Rating - Duty	40C AMB-CONT	Temp. Rise @ Rated Load	63°C	
S.F. Amps		Temp. Rise @ S.F. Load	79°C	
		Locked-rotor Power Factor	32.9	
		Rotor inertia	4.77 lb-ft <sup>2</sup>	

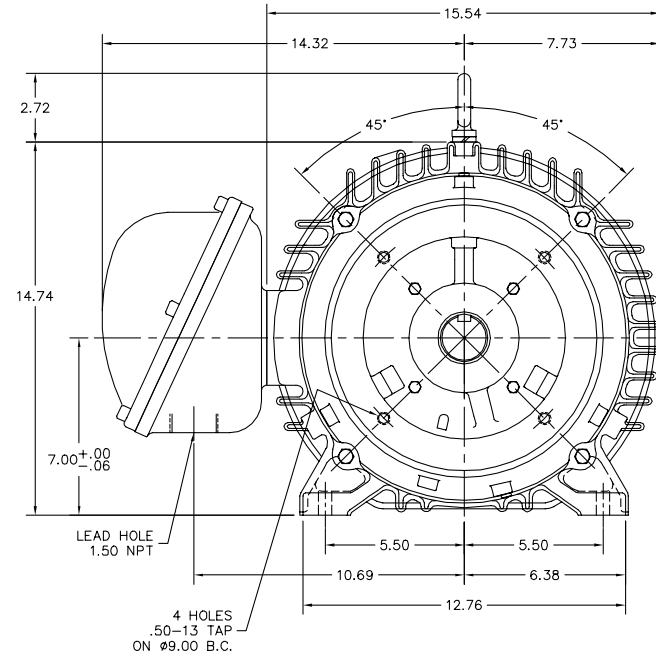
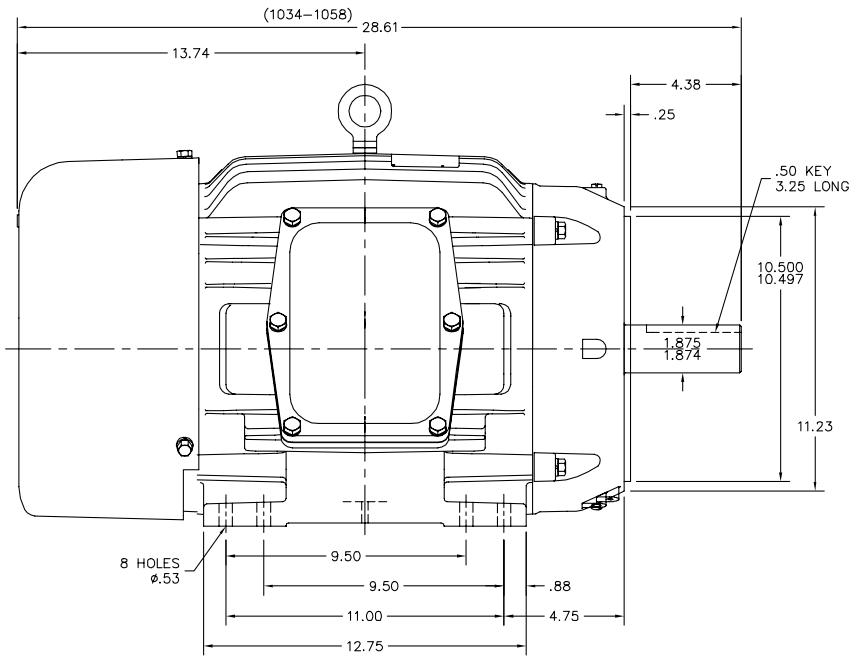
**Load Characteristics 380 V, 50 Hz, 25 HP**

% of Rated Load	25	50	75	100	125	150	S.F.
Power Factor	49	72	81	84	86	85	85
Efficiency	91.6	94.1	94.1	93.5	93.4	91.1	93.4
Speed	1493	1487	1479	1472	1464	1452	1467
Line amperes	15.58	21.02	27.86	35.89	44.62	54.56	41.1

Performance Graph at 380V, 50Hz, 25.0HP Typical performance - Not guaranteed values



10LYE251



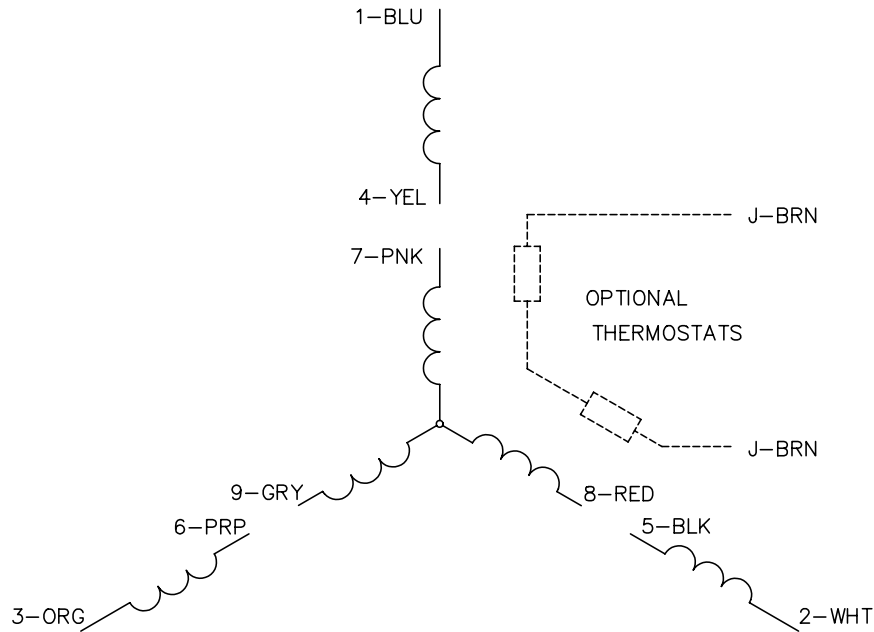
10LYE251

CUSTOMER IS RESPONSIBLE FOR DETERMINING THAT BALDOR'S PRODUCT WILL PERFORM SUITABLY IN THE INTENDED APPLICATION.

REV. DESC: REMOVE GRSR LEADER	VERSION: 03	TDR: 000001157616
REV. LTR: E	REVISED: 02:02:12 01/07/2021	BY: ENBRISO
FILE: \AAA\00032\559		
MTL: -		

**BALDOR - RELIANCE**<sup>®</sup>  
 HORZ XPFC 284-6TC CL.I,GP.D;CL.II,GP.F&G  
 SH 1 of 1

CD0005

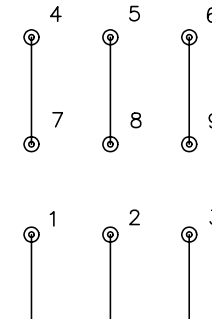


LOW VOLTAGE  
(2Y)



LINE

HIGH VOLTAGE  
(1Y)



LINE

NOTES:

1. INTERCHANGE ANY TWO LINE LEADS TO REVERSE ROTATION.
2. OPTIONAL THERMOSTATS ARE PROVIDED WHEN SPECIFIED.
3. ACTUAL NUMBER OF INTERNAL PARALLEL CIRCUITS MAY BE A MULTIPLE OF THOSE SHOWN ABOVE.
4. LEAD COLORS ARE OPTIONAL. LEADS MUST ALWAYS BE NUMBERED AS SHOWN.

REV. DESC: REVISE TO SHOW OPTIONAL COLORS

REV. LTR: E BY: JLP

REVISED: 01/19/99 10:15

TDR: 0171435

9000D

FILE: AAA00005140

MDL: -

MTL: -

**BALDOR ELECTRIC Co.**

3PH, DV, 9 LEADS

CD0005

Marketing maintained PDF of MN416:

<http://www.baldor.com/support/Literature/Load.ashx/MN416?ManNumber=MN416>