

BALDOR® • RELIANCE 

Product Information Packet

CXM32442T

40//30HP,1775//1480RPM,3PH,60//50HZ,324T

Part Detail							
Revision:	-	Status:	PRD/A	Change #:		Proprietary:	No
Type:	AC	Elec. Spec:	12WGY276	CD Diagram:	CD0180	Mfg Plant:	
Mech. Spec:		Layout:	12LYN025	Poles:	04	Created Date:	02-17-2021
Base:		Eff. Date:	02-25-2021	Leads:	9#8		

Specs			
Catalog Number:	CXM32442T	Drip Cover:	No Drip Cover
Enclosure:	XPFC	Duty Rating:	CONT
Frame:	324TC	Electrically Isolated Bearing:	Not Electrically Isolated
Frame Material:	Iron	Feedback Device:	NO FEEDBACK
Output @ Frequency:	40.000 HP @ 60 HZ	Heater Indicator:	No Heater
	30.000 HP @ 50 HZ	Insulation Class:	F
Synchronous Speed @ Frequency:	1800 RPM @ 60 HZ	Inverter Code:	Inverter Duty
Voltage @ Frequency:	190.0 V @ 50 HZ	IP Rating:	NONE
	230.0 V @ 60 HZ	KVA Code:	H
	380.0 V @ 50 HZ	Lifting Lugs:	Standard Lifting Lugs
	460.0 V @ 60 HZ	Locked Bearing Indicator:	Locked Bearing
XP Class and Group:	CLI GP D; CLII GP F,G	Motor Lead Termination:	Flying Leads
XP Division:	Division I	Motor Type:	1254M
Agency Approvals:	UR	Mounting Arrangement:	F1
	CSA EEV	Power Factor:	82
	CSA	Product Family:	Hazardous Location Motor
Auxillary Box:	No Auxillary Box	Pulley Face Code:	C-Face
Auxillary Box Lead Termination:	None	Rodent Screen:	None

Base Indicator:	Rigid	Shaft Ground Indicator:	No Shaft Grounding
Bearing Grease Type:	Polyrex EM (-20F +300F)	Shaft Rotation:	Reversible
Blower:	None	Speed Code:	Single Speed
Constant Torque Speed Range:	6	Motor Standards:	NEMA
Current @ Voltage:	96.000 A @ 230.0 V	Starting Method:	Direct on line
	90.000 A @ 190.0 V	Thermal Device - Bearing:	None
	48.000 A @ 460.0 V	Thermal Device - Winding:	Normally Closed Thermostat
	45.000 A @ 380.0 V	Vibration Sensor Indicator:	No Vibration Sensor
	102.000 A @ 208.0 V	Winding Thermal 1:	None
Design Code:	A	Winding Thermal 2:	None
		XP Temp Code:	T3C

Nameplate NP0887XPSLEV									
NO.					CC	010A			
S/N					TEMP CODE	T3C			
SPEC.	12-0000-2029				INV. TYPE	PWM			
CAT.NO.	CXM32442T				C HP FR	60		C HP TO	90
HP	40//30				CT HZ FROM	6		CT HZ TO	60
VOLTS	230/460//190/380				VT HZ FROM	6		VT HZ TO	60
AMPS	96/48//90/45				MAG CUR	39/19.5			
RPM	1775//1480				MX RPM	2700			
HZ	60//50	PH	3	CL	F	NOM.EFF.	94.1		
SER.F.	1.00		DES	A	SL HZ	0.83		WK2	7.19
FRAME	324TC		RATING	40C AMB-CONT					
NEMA MG-1 PART 5, IP54									
1.15 SF ON SINE WAVE									

Parts List		
Part Number	Description	Quantity
SA391087	SA 12-0000-2029	1.000 EA
RA381557	RA 12-0000-2029	1.000 EA
LB1115N	LABEL,LIFTING DEVICE (ON ROLLS)	1.000 EA
LB1119N	WARNING LABEL	1.000 EA
LC0181	CONNECTION LABEL	1.000 EA
NP0887XPSLEV	SS XP INV UL CSA-EEV CC CL-I GP-D	1.000 EA
85XU0407S04	4X1/4 U DRIVE PIN STAINLESS	4.000 EA
85XU0407S04	4X1/4 U DRIVE PIN STAINLESS	2.000 EA
MN416A01	TAG-INSTAL-MAINT no wire (2100/bx) 4/22	1.000 EA
LB1073	ALUM XP CAUTION LABEL	1.000 EA
12FH1001A01	FAN HOUSING 312 EXPLOSION PROOF MOTORS	1.000 EA
HW1001A31	LOCKWASHER 5/16, ZINC PLT.591 OD, .319 I	3.000 EA
10XN3118K12	5/16-18 X .75 GRADE 5, ZINC PLATED	3.000 EA
09FN3001B03SP	EXTERNAL FAN, PLASTIC (COMES W/SCREW FRO	1.000 EA
HW2500A25	WOODRUFF KEY USA #1008 #BLOW CARBON STEE	1.000 EA
MJ1000A02	GREASE, MOBIL POLYREX EM - 124047	0.200 LB
12EP1705A01	ENDPLATE, MACH. 312 - EXPLOSION PROOF 31	1.000 EA
HA3051A03	1/2-13X2.75 BLT GR8 1.75 TO E NC F/S	4.000 EA
HW1001A50	LOCKWASHER 1/2, ZINC PLT.,.879 OD, .509 I	4.000 EA
HW5100A13	W4627-047 WVY WSHER	1.000 EA
HW4500A20	1/8NPT SL PIPE PLUG	1.000 EA
HW4500A20	1/8NPT SL PIPE PLUG	1.000 EA
12EP1707A02	FACE MTD. ENDPLATE, MACH X-PROOF (NEW DE	1.000 EA
HW1001A50	LOCKWASHER 1/2, ZINC PLT.,.879 OD, .509 I	4.000 EA

Parts List (continued)		
Part Number	Description	Quantity
HA3051A03	1/2-13X2.75 BLT GR8 1.75 TO E NC F/S	4.000 EA
10XN3118K40	5/16-18 X 2.75" HEX HD, GRADE 5	4.000 EA
HW1001A31	LOCKWASHER 5/16, ZINC PLT.591 OD, .319 I	4.000 EA
HW4500A20	1/8NPT SL PIPE PLUG	1.000 EA
HW4500A20	1/8NPT SL PIPE PLUG	1.000 EA
12CB1001A08	K.O.BOX, MACH X-PROOF; 2.00 NPT HOLE	1.000 EA
10XN3118K16	5/16-18 X 1' GRADE #5, STL, ZINC PLATE	4.000 EA
HW1001A31	LOCKWASHER 5/16, ZINC PLT.591 OD, .319 I	4.000 EA
WD1000B25	GND LUG, BURNDY L125HP OR T&B L125HP-BB	1.000 EA
19XW3118G08	.31-18X.50,HEX WSHR HD,TAPTITE 2,GREEN	1.000 EA
12CB1501A01	COND.BOX LID, MACH., X-PROOF, 310,312	1.000 EA
10XN3816K20	3/8-16 X 1.25 HEX HD CAP GRADE 5	6.000 EA
HW1001A38	LOCKWASHER 3/8, ZINC PLT .688 OD, .382 I	6.000 EA
MG1025G29	WILKOFAS, 789.229, DARK CHARCOAL GRAY	0.125 GA
14PA1000	PACKAGING 314 GROUP COMBINED PRINT	1.000 EA
HW2501H33	KEY, 1/2 SQ X 3.875	1.000 EA

AC Induction Motor Performance Data

Record # 43813

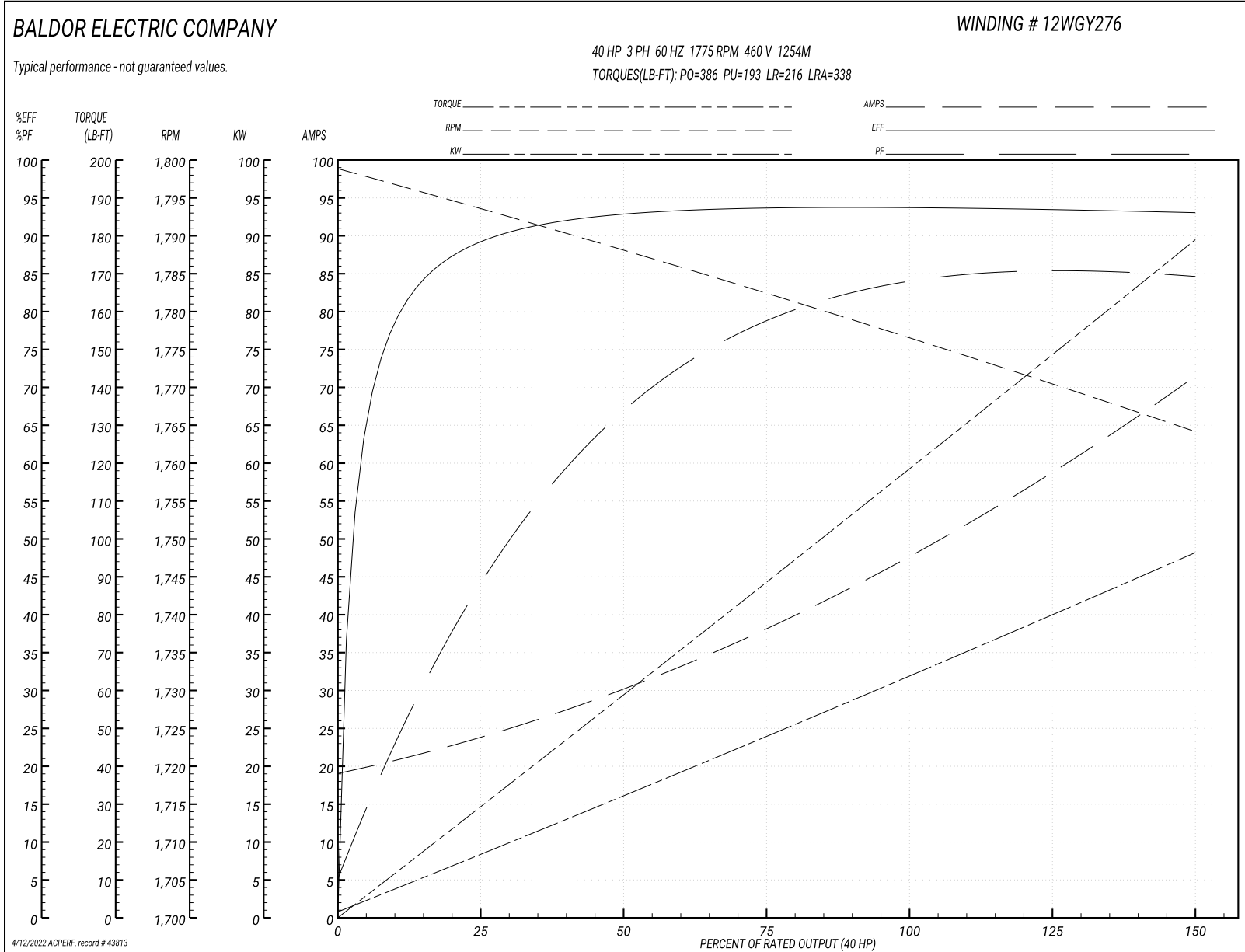
Typical performance - not guaranteed values

Winding: 12WGY276-R023		Type: 1254M		Enclosure: XPFC	
Nameplate Data			460 V, 60 Hz: High Voltage Connection		
Rated Output (HP)	40	Full Load Torque	118 LB-FT		
Volts	230/460	Start Configuration	direct on line		
Full Load Amps	96/48	Breakdown Torque	386 LB-FT		
R.P.M.	1775	Pull-up Torque	193 LB-FT		
Hz	60 Phase	Locked-rotor Torque	216 LB-FT		
NEMA Design Code	A	Starting Current	338 A		
Service Factor (S.F.)		No-load Current	19.9 A		
NEMA Nom. Eff.	94.1	Line-line Res. @ 25°C	0.14898 Ω		
Rating - Duty	40C AMB-CONT	Temp. Rise @ Rated Load	54°C		
		Locked-rotor Power Factor	27		
		Rotor inertia	7.19 LB-FT ²		

Load Characteristics 460 V, 60 Hz, 40 HP

% of Rated Load	25	50	75	100	125	150
Power Factor	47	69	78	83	85	85
Efficiency	90.1	93.5	94.2	94.2	93.8	93.1
Speed	1793.5	1788	1782.5	1776.6	1770.7	1764.1
Line amperes	22.9	29.5	38.4	48.1	59.2	70.8

Performance Graph at 460V, 60Hz, 40.0HP Typical performance - Not guaranteed values



AC Induction Motor Performance Data

Record # 75684

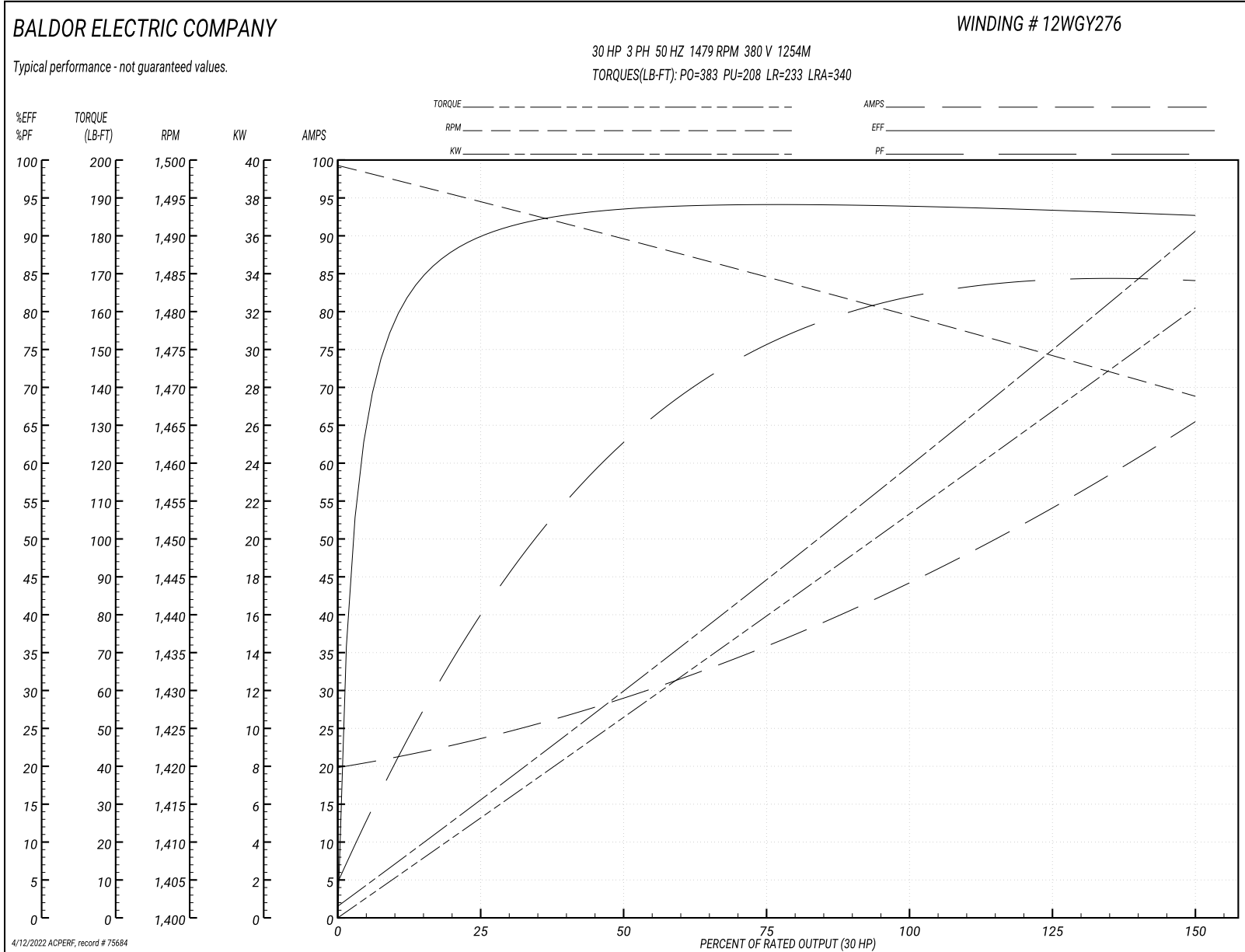
Typical performance - not guaranteed values

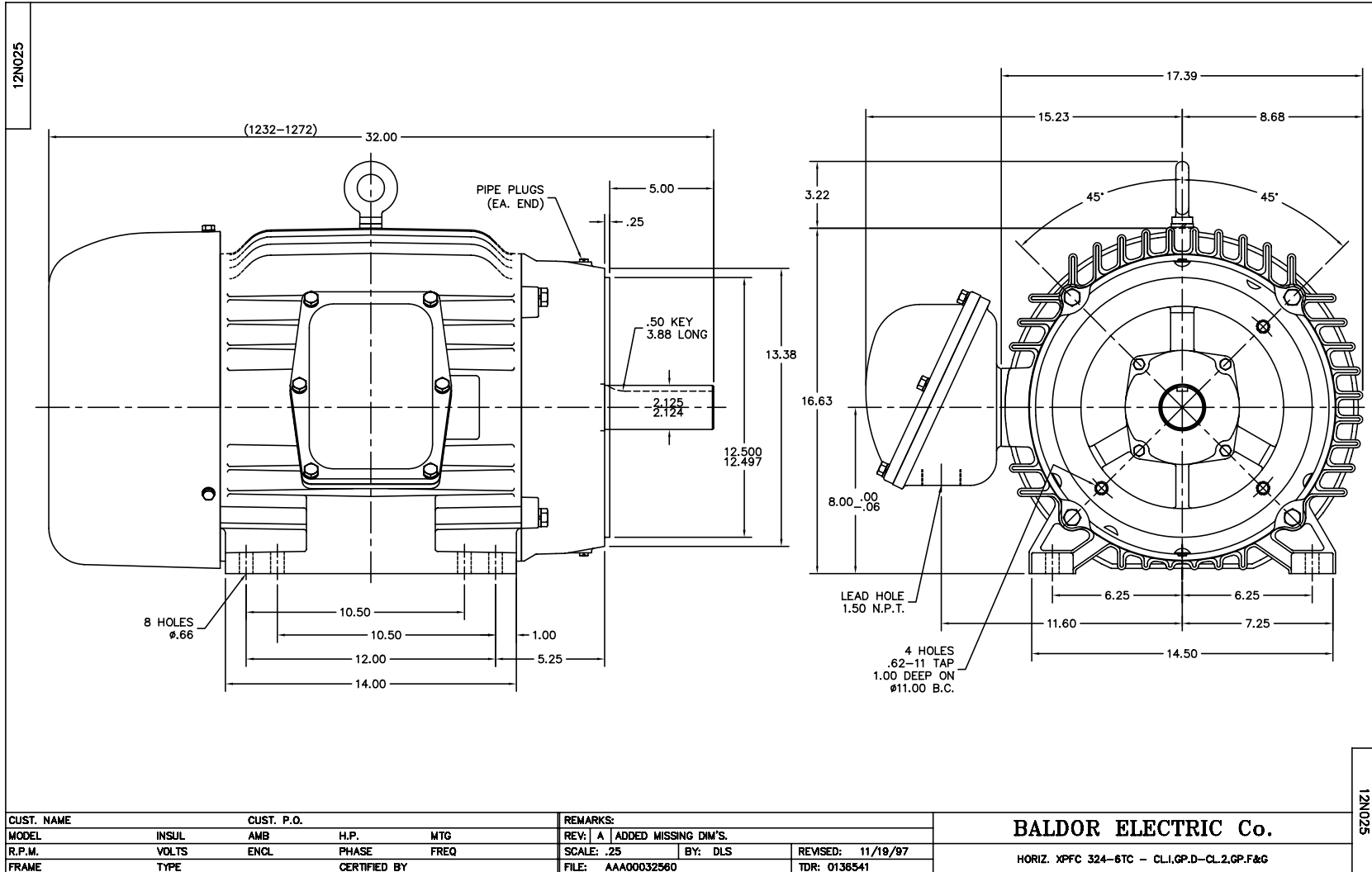
Winding: 12WGY276-R040		Type: 1254M		Enclosure: XPFC	
Nameplate Data			380 V, 50 Hz: High Voltage Connection		
Rated Output (HP)	40//30		Full Load Torque	107 LB-FT	
Volts	230/460//190/380		Start Configuration	direct on line	
Full Load Amps	96/48//90/45		Breakdown Torque	383 LB-FT	
R.P.M.	1775//1480		Pull-up Torque	208 LB-FT	
Hz	60//50	Phase	3	Locked-rotor Torque	233 LB-FT
NEMA Design Code	A	KVA Code	H	Starting Current	340 A
Service Factor (S.F.)	1		No-load Current	20.49 A	
NEMA Nom. Eff.	94.1	Power Factor	82	Line-line Res. @ 25°C	0.145 Ω
Rating - Duty	40C AMB-CONT		Temp. Rise @ Rated Load	47°C	
S.F. Amps			Temp. Rise @ S.F. Load	57°C	
			Locked-rotor Power Factor	30.4	
			Rotor inertia	7.19 LB-FT ²	

Load Characteristics 380 V, 50 Hz, 30 HP

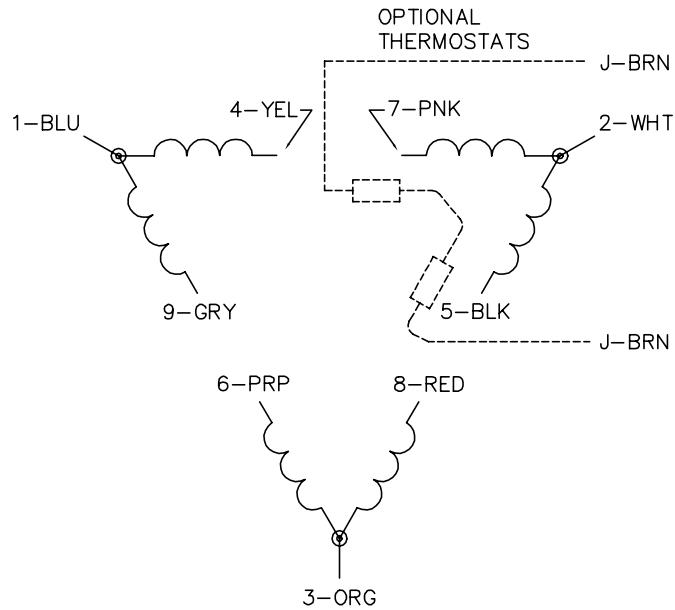
% of Rated Load	25	50	75	100	125	150
Power Factor	42	65	75	81	83	85
Efficiency	89.7	93.3	94	94	93.5	92.5
Speed	1495	1489	1485	1479	1474	1469
Line amperes	22.95	28.58	36.28	44.78	54.64	64.99

Performance Graph at 380V, 50Hz, 30.0HP Typical performance - Not guaranteed values





CD0180



LOW VOLTAGE
(2D)



HIGH VOLTAGE
(1D)



NOTES:

1. INTERCHANGE ANY TWO LINE LEADS TO REVERSE ROTATION.
2. OPTIONAL THERMOSTATS ARE PROVIDED WHEN SPECIFIED.
3. ACTUAL NUMBER OF INTERNAL PARALLEL CIRCUITS MAY BE A MULTIPLE OF THOSE SHOWN ABOVE.
4. LEAD COLORS ARE OPTIONAL. LEADS MUST ALWAYS BE NUMBERED AS SHOWN.

CD0180

REV. DESC: ADD CLASS CONN00000007		
REV. LTR: D	VERSION: 01	TDR: 000001099922
FILE: \AAA\00005\148	REVISED: 10:25:29 02/19/2019	BY: ENBRIRO
MTL: -	© □	

BALDOR - RELIANCE®

3PH, DV, 9 LEADS, DELTA CONNECTION

SH 1 of 1

Marketing maintained PDF of MN416:

<http://www.baldor.com/support/Literature/Load.ashx/MN416?ManNumber=MN416>