

BALDOR® • RELIANCE 

Product Information Packet

CXT3014T

1HP,1765RPM,3PH,60HZ,143TC,0524M,TEFC,F1

| Part Detail | | | | | | | |
|-------------|----|-------------|--------------|-------------|--------|---------------|------------|
| Revision: | - | Status: | PRD/A | Change #: | | Proprietary: | No |
| Type: | AC | Elec. Spec: | 05WGX014 | CD Diagram: | CD0005 | Mfg Plant: | |
| Mech. Spec: | | Layout: | 05LY-000-375 | Poles: | 04 | Created Date: | 11-19-2020 |
| Base: | | Eff. Date: | 12-17-2020 | Leads: | 9#18 | | |

| Specs | | | |
|---------------------------------|------------------|--------------------------------|---------------------------|
| Catalog Number: | CXT3014T | Electrically Isolated Bearing: | Not Electrically Isolated |
| Enclosure: | TEFC | Feedback Device: | NO FEEDBACK |
| Frame: | 143TC | Heater Indicator: | No Heater |
| Frame Material: | Iron | Insulation Class: | F |
| Output @ Frequency: | 1.000 HP @ 60 HZ | Inverter Code: | Inverter Duty |
| Synchronous Speed @ Frequency: | 1800 RPM @ 60 HZ | IP Rating: | NONE |
| Voltage @ Frequency: | 460.0 V @ 60 HZ | KVA Code: | N |
| | 230.0 V @ 60 HZ | Lifting Lugs: | No Lifting Lugs |
| | 208.0 V @ 60 HZ | Locked Bearing Indicator: | Locked Bearing |
| XP Class and Group: | CLI GP A,B,C,D | Motor Lead Termination: | Flying Leads |
| XP Division: | Division II | Motor Type: | 0524M |
| Agency Approvals: | CCSA US | Mounting Arrangement: | F1 |
| | CSA EEV | Power Factor: | 70 |
| | NEMA PREMIUM | Product Family: | General Purpose |
| | UR | Pulley Face Code: | C-Face |
| Auxillary Box: | No Auxillary Box | Rodent Screen: | None |
| Auxillary Box Lead Termination: | None | Shaft Ground Indicator: | No Shaft Grounding |
| Base Indicator: | Rigid | Shaft Rotation: | Reversible |

| | | | |
|-------------------------------------|-------------------------|------------------------------------|---------------------|
| Bearing Grease Type: | Polyrex EM (-20F +300F) | Speed Code: | Single Speed |
| Blower: | None | Motor Standards: | NEMA |
| Constant Torque Speed Range: | 3 | Starting Method: | Direct on line |
| Current @ Voltage: | 3.300 A @ 208.0 V | Thermal Device - Bearing: | None |
| | 3.000 A @ 230.0 V | Thermal Device - Winding: | None |
| | 1.500 A @ 460.0 V | Vibration Sensor Indicator: | No Vibration Sensor |
| Design Code: | B | Winding Thermal 1: | None |
| Drip Cover: | No Drip Cover | Winding Thermal 2: | None |
| Duty Rating: | CONT | XP Temp Code: | T4 |

| Nameplate NP4163L | | | |
|-------------------|--------------------------------|----------------|--------------|
| CAT.NO. | CXT3014T | I.P. | 54 |
| SPEC. | 05-0000-0893 | ENCL | TEFC |
| FRAME | 143TC | H.P. | 1 |
| VOLTS | 208-230/460 | P.F. | 70 |
| F.L. AMPS | 3.3-3/1.5 | RATING | 40C AMB-CONT |
| R.P.M. | 1765 | USABLE AT 208V | |
| HZ. | 60 | PH. | 3 |
| SER.F. | 1.15 | DES. | B |
| NEMA NOM. EFF. | 87.5 | WV | 0.14 |
| DE | 6205 | ODE | 6203 |
| MAG. CUR. | 2/1 | TO | 90 |
| INV TYPE | PWM | CHP | 60 |
| CT | 3 | TO | 60 |
| CC | 010A | VT | 3 |
| | | TO | 60 |
| | | T. CODE | T4 |
| | | SN | |
| | USABLE AT 50 HZ .75HP 190/380V | | |
| | 2.8/1.4 A | | |

| Parts List | | |
|---------------|--|----------|
| Part Number | Description | Quantity |
| SA388675 | SA 05-0000-0893 | 1.000 EA |
| RA379039 | RA 05-0000-0893 | 1.000 EA |
| LB1115N | LABEL,LIFTING DEVICE (ON ROLLS) | 1.000 EA |
| LC0005E01 | CONN.DIA./WARNING LABEL (LC0005/LB1119N) | 1.000 EA |
| LB1449 | DIV-2/NEC WARNING LABEL | 1.000 EA |
| NP4163L | SS CP INV DIV-2 UL CSA-C US EEV PREM, DI | 1.000 EA |
| 85XU0407S04 | 4X1/4 U DRIVE PIN STAINLESS | 2.000 EA |
| MN416A01 | TAG-INSTAL-MAINT no wire (2100/bx) 4/22 | 1.000 EA |
| HW3201A05 | 3/8-16 EYEBOLT | 1.000 EA |
| 35FH4005A32SP | IEC FH NO GRSR W/3 HOLES - PRIMED | 1.000 EA |
| 51XW1032A06 | 10-32 X .38, TAPTITE II, HEX WSHR SLTD S | 3.000 EA |
| 34FN3002B01 | EXTERNAL FAN, PLASTIC, .637/.639 HUB W/ | 1.000 EA |
| 51XB0818A12 | 8-18X3/4 HXWSSLD SERTYB | 1.000 EA |
| MJ1000A02 | GREASE, MOBIL POLYREX EM - 124047 | 0.050 LB |
| HA3100A47 | THRUBOLT 10-32 X 7.625 | 4.000 EA |
| 35EP3122K00 | MASTER ODE,203 BRG,.683SH,#26 DRN,FH MTG | 1.000 EA |
| HW4600B39SP | V-RING SLINGER 0.550 X 0.790 X .18 VITON | 1.000 EA |
| HW5100A03 | WAVY WASHER (W1543-017) | 1.000 EA |
| HA4067A01 | PUSH IN DRAIN FITTING (BLACK) | 1.000 EA |
| 35EP3307F11 | F00 W/SLINGER | 1.000 EA |
| HW4600B32SP | V-RING SLINGER 1.000 X 1.540 X .24 VITON | 1.000 EA |
| 51XN1032A20 | 10-32 X 1 1/4 HX WS SL SR | 2.000 EA |
| HA4067A01 | PUSH IN DRAIN FITTING (BLACK) | 1.000 EA |
| 06CB3000 | BALDOR CONDUIT BOX CAST | 1.000 EA |

| Parts List (continued) | | |
|-------------------------------|--|-----------------|
| Part Number | Description | Quantity |
| 06GS1000 | GASKET,CONDUIT BOX | 1.000 EA |
| 51XW2520A12 | SCREW, HEX SER SLT HD, ZN, 1/4-20 X .75 | 2.000 EA |
| 11XW1032G06 | 10-32 X .38, TAPTITE II, HEX WSHR SLTD U | 1.000 EA |
| HW3001B02 | BRASS CUP WASHER W/GROUND SYMBOL TAB, | 1.000 EA |
| 06CB3500 | BALDOR CONDUIT BOX LID | 1.000 EA |
| 06GS1001 | BALDOR CONDUIT BOX GASKET | 1.000 EA |
| 51XW2520A12 | .25-20 X .75, TAPTITE II, HEX WSHR SLTD | 2.000 EA |
| MG1025L14 | WILKOFASST, 776.14, GRUNDFOS BLACK | 0.125 GA |
| 36PA1000 | PKG GRP, PRINT PK1016A06 | 1.000 EA |
| HW2501D13 | KEY, 3/16 SQ X 1.375 | 1.000 EA |
| HA7000A01 | KEY RETAINER 7/8" DIA SHAFT | 1.000 EA |
| FE-0000001 | ZRTG FE ASSEMBLY | 1.000 EA |

AC Induction Motor Performance Data

Record # 47106

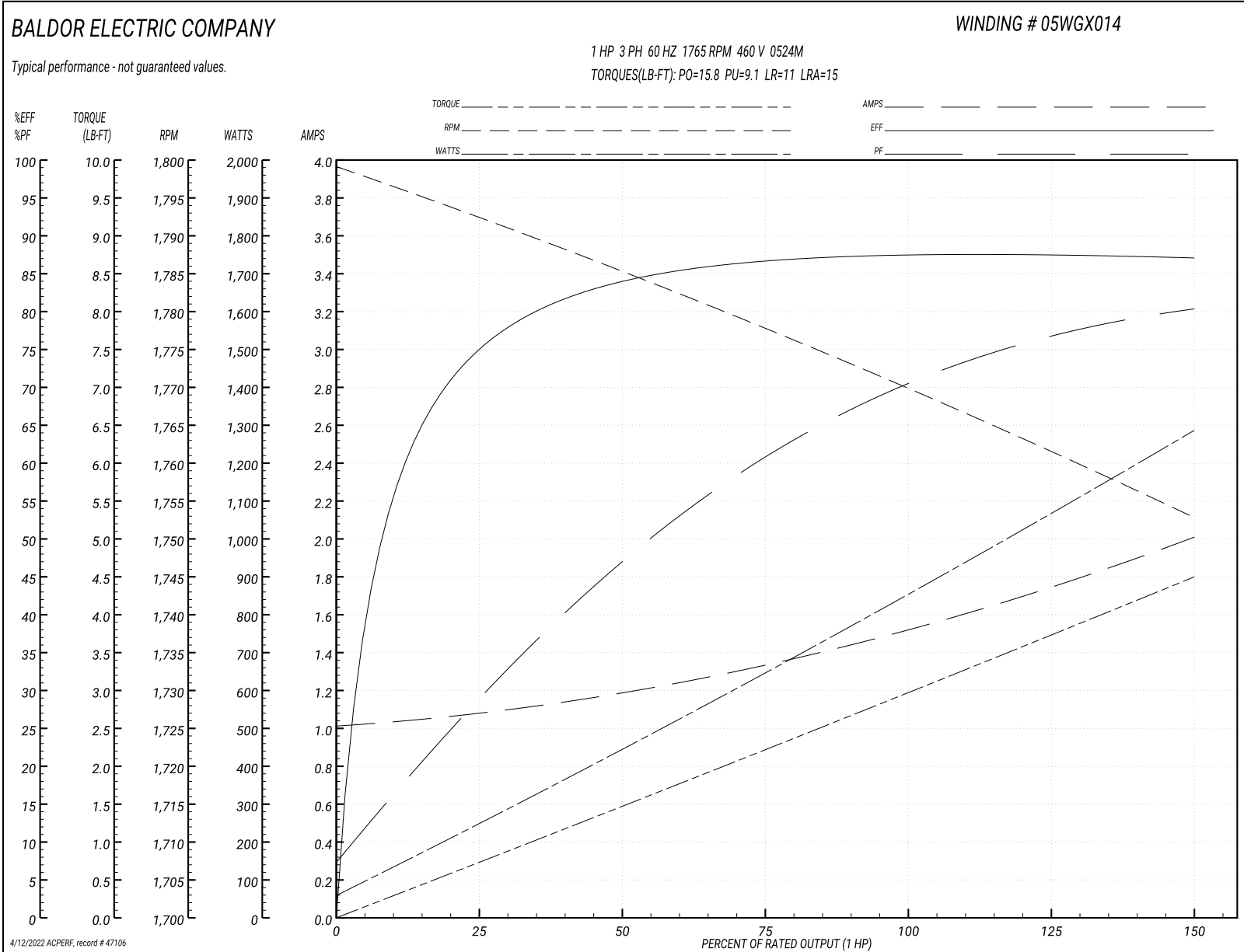
Typical performance - not guaranteed values

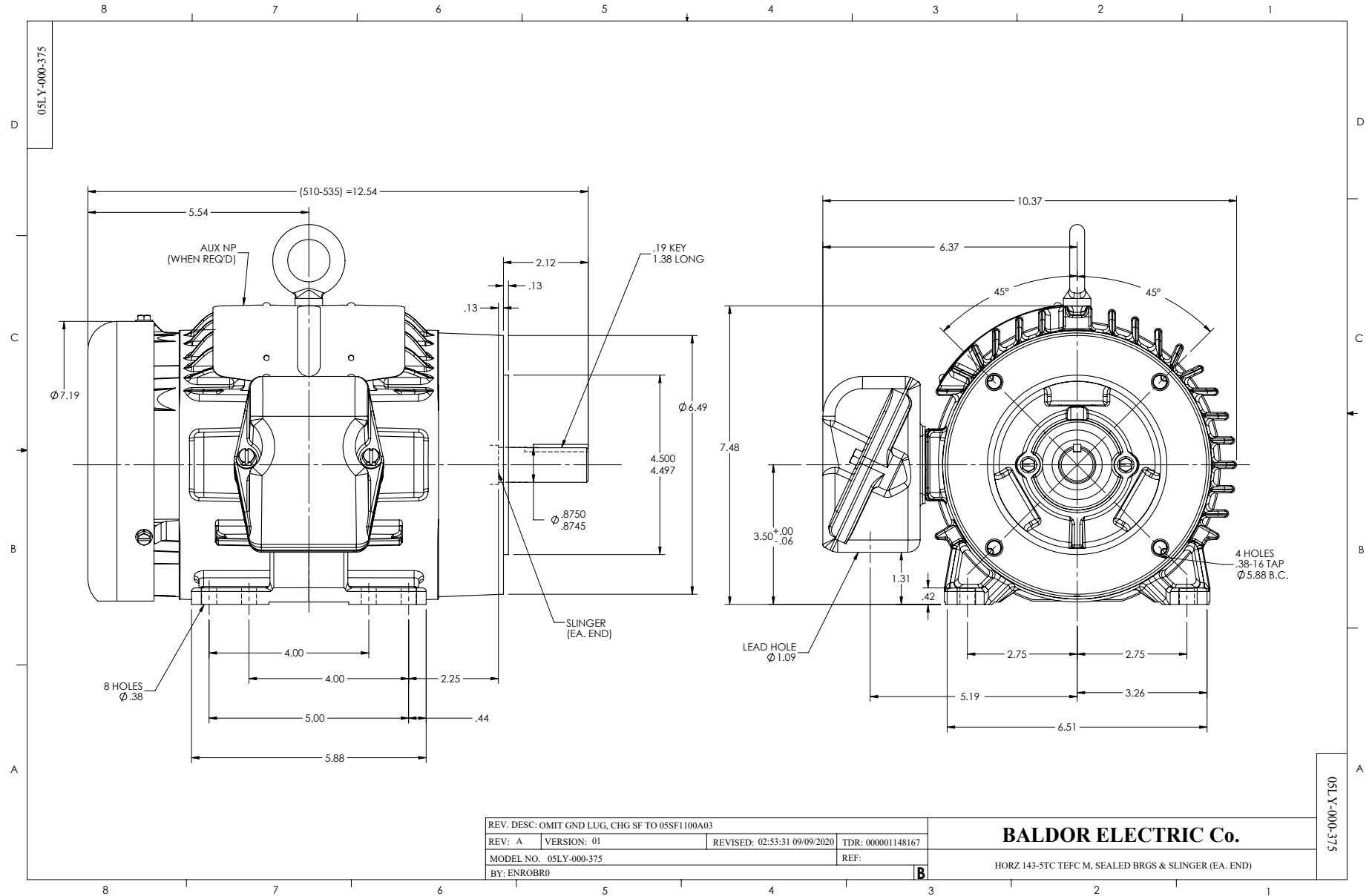
| Winding: 05WGX014-R050 | | Type: 0524M | Enclosure: TEFC | |
|------------------------|-------------------|-------------------------|--|--|
| Nameplate Data | | | 460 V, 60 Hz: High Voltage Connection | |
| Rated Output (HP) | 1 | Full Load Torque | 2.99 LB-FT | |
| Volts | 208-230/460 | Start Configuration | direct on line | |
| Full Load Amps | 3.3-3/1.5 | Breakdown Torque | 15.8 LB-FT | |
| R.P.M. | 1765 | Pull-up Torque | 9.1 LB-FT | |
| Hz | 60 Phase | Locked-rotor Torque | 11 LB-FT | |
| NEMA Design Code | B KVA Code | Starting Current | 15 A | |
| Service Factor (S.F.) | 1.15 | No-load Current | 1.02 A | |
| NEMA Nom. Eff. | 87.5 Power Factor | Line-line Res. @ 25°C | 12 Ω | |
| Rating - Duty | 40C AMB-CONT | Temp. Rise @ Rated Load | 21°C | |
| S.F. Amps | | Temp. Rise @ S.F. Load | 26°C | |

Load Characteristics 460 V, 60 Hz, 1 HP

| % of Rated Load | 25 | 50 | 75 | 100 | 125 | 150 | S.F. |
|-----------------|------|------|------|------|------|------|------|
| Power Factor | 28 | 48 | 60 | 70 | 77 | 81 | 74 |
| Efficiency | 74.8 | 84.4 | 87 | 87.9 | 87.7 | 87.3 | 87.8 |
| Speed | 1793 | 1785 | 1778 | 1770 | 1761 | 1753 | 1765 |
| Line amperes | 1.07 | 1.18 | 1.33 | 1.53 | 1.76 | 2 | 1.67 |

Performance Graph at 460V, 60Hz, 1.0HP Typical performance - Not guaranteed values





CD0005



LOW VOLTAGE
(2Y)



LINE

HIGH VOLTAGE
(1Y)



LINE

NOTES:

1. INTERCHANGE ANY TWO LINE LEADS TO REVERSE ROTATION.
2. OPTIONAL THERMOSTATS ARE PROVIDED WHEN SPECIFIED.
3. ACTUAL NUMBER OF INTERNAL PARALLEL CIRCUITS MAY BE A MULTIPLE OF THOSE SHOWN ABOVE.
4. LEAD COLORS ARE OPTIONAL. LEADS MUST ALWAYS BE NUMBERED AS SHOWN.

| | | | |
|---|---------|-------------------------|--------------|
| REV. DESC: REVISE TO SHOW OPTIONAL COLORS | | | |
| REV. LTR: E | BY: JLP | REVISED: 01/19/99 10:15 | TDR: 0171435 |
| 900000 | | FILE: AAA00005140 | MDL: - |
| | | MTL: - | |

BALDOR ELECTRIC Co.

3PH, DV, 9 LEADS

CD0005

Marketing maintained PDF of MN416:

<http://www.baldor.com/support/Literature/Load.ashx/MN416?ManNumber=MN416>