

**BALDOR® • RELIANCE** 

**Product Information Packet**

**CXT3054T**

**5HP,1750RPM,3PH,60HZ,184TC,0642M,TEFC,F1**

Part Detail							
Revision:	-	Status:	PRD/A	Change #:		Proprietary:	No
Type:	AC	Elec. Spec:	06WGX182	CD Diagram:	CD0005	Mfg Plant:	
Mech. Spec:		Layout:	06LYF921	Poles:	04	Created Date:	11-30-2020
Base:		Eff. Date:	12-17-2020	Leads:	9#16		

Specs			
Catalog Number:	CXT3054T	Electrically Isolated Bearing:	Not Electrically Isolated
Enclosure:	TEFC	Feedback Device:	NO FEEDBACK
Frame:	184TC	Heater Indicator:	No Heater
Frame Material:	Iron	Insulation Class:	F
Output @ Frequency:	5.000 HP @ 60 HZ	Inverter Code:	Inverter Duty
Synchronous Speed @ Frequency:	1800 RPM @ 60 HZ	IP Rating:	NONE
Voltage @ Frequency:	460.0 V @ 60 HZ	KVA Code:	J
	230.0 V @ 60 HZ	Lifting Lugs:	Standard Lifting Lugs
	208.0 V @ 60 HZ	Locked Bearing Indicator:	Locked Bearing
XP Class and Group:	CLI GP A,B,C,D	Motor Lead Termination:	Flying Leads
XP Division:	Division II	Motor Type:	0642M
Agency Approvals:	CCSA US	Mounting Arrangement:	F1
	CSA EEV	Power Factor:	79
	NEMA PREMIUM	Product Family:	General Purpose
	UR	Pulley Face Code:	C-Face
Auxillary Box:	No Auxillary Box	Rodent Screen:	None
Auxillary Box Lead Termination:	None	Shaft Ground Indicator:	No Shaft Grounding
Base Indicator:	Rigid	Shaft Rotation:	Reversible

<b>Bearing Grease Type:</b>	Polyrex EM (-20F +300F)	<b>Speed Code:</b>	Single Speed
<b>Blower:</b>	None	<b>Motor Standards:</b>	NEMA
<b>Constant Torque Speed Range:</b>	3	<b>Starting Method:</b>	Direct on line
<b>Current @ Voltage:</b>	6.500 A @ 460.0 V	<b>Thermal Device - Bearing:</b>	None
	14.000 A @ 208.0 V	<b>Thermal Device - Winding:</b>	None
	13.000 A @ 230.0 V	<b>Vibration Sensor Indicator:</b>	No Vibration Sensor
<b>Design Code:</b>	B	<b>Winding Thermal 1:</b>	None
<b>Drip Cover:</b>	No Drip Cover	<b>Winding Thermal 2:</b>	None
<b>Duty Rating:</b>	CONT	<b>XP Temp Code:</b>	T3C

Nameplate NP4163L			
CAT.NO.	CXT3054T	I.P.	54
SPEC.	06-0000-0789	ENCL	TEFC
FRAME	184TC	H.P.	5
VOLTS	208-230/460	P.F.	79
F.L. AMPS	14-13/6.5	RATING	40C AMB-CONT
R.P.M.	1750	USABLE AT 208V	
HZ.	60	PH.	3
SER.F.	1.15	DES.	B
NEMA NOM. EFF.	89.5	W <sub>K2</sub>	0.39
DE	6206	ODE	6205
MAG. CUR.	6.4/3.2	TO	90
INV TYPE	PWM	CHP	60
CT	3	TO	60
CC	010A	VT	3
		TO	60
		T. CODE	T3C
		SN	
	USABLE AT 50 HZ 3HP 190/380V		
	10.4/5.2A		

Parts List		
Part Number	Description	Quantity
SA388672	SA 06-0000-0789	1.000 EA
RA379037	RA 06-0000-0789	1.000 EA
LB1115N	LABEL,LIFTING DEVICE (ON ROLLS)	1.000 EA
LC0005E01	CONN.DIA./WARNING LABEL (LC0005/LB1119N)	1.000 EA
LB1449	DIV-2/NEC WARNING LABEL	1.000 EA
NP4163L	SS CP INV DIV-2 UL CSA-C US EEV PREM, DI	1.000 EA
85XU0407S04	4X1/4 U DRIVE PIN STAINLESS	2.000 EA
MN416A01	TAG-INSTAL-MAINT no wire (2100/bx) 4/22	1.000 EA
HW3201A05	3/8-16 EYEBOLT	1.000 EA
36FH4009A101	IEC FH NO GREASER, W/PRIMER	1.000 EA
51XW1032A06	10-32 X .38, TAPTITE II, HEX WSHR SLTD S	3.000 EA
34FN3002A02	EXTERNAL FAN, PLASTIC, .905/.907 HUB W/	1.000 EA
51XB0818A12	8-18X3/4 HXWSSLD SERTYB	1.000 EA
MJ1000A02	GREASE, MOBIL POLYREX EM - 124047	0.050 LB
HA3101A34	THRUBOLT- 1/4-20 X 10.375	4.000 EA
36EP3104B47	FREP MACH W/O GRSS,RAISED FH PADS,SLING	1.000 EA
HW4600B32SP	V-RING SLINGER 1.000 X 1.540 X .24 VITON	1.000 EA
HW5100A05	WVY WSHR F/205 & 304 BRGS	1.000 EA
HA4067A01	PUSH IN DRAIN FITTING (BLACK)	1.000 EA
36EP3301A34	SPL PU. ENDPLATE - ENCLOSED	1.000 EA
HW4600B36SP	V-RING SLINGER 1.188 X 1.690 X .24 VITON	1.000 EA
10XN2520A28	1/4-20X 1 3/4 HEX HD	4.000 EA
HW1001A25	LOCKWASHER 1/4, ZINC PLT .493 OD, .255 I	4.000 EA
HA4067A01	PUSH IN DRAIN FITTING (BLACK)	1.000 EA

<b>Parts List (continued)</b>		
<b>Part Number</b>	<b>Description</b>	<b>Quantity</b>
06CB3000	BALDOR CONDUIT BOX CAST	1.000 EA
06GS1000	GASKET,CONDUIT BOX	1.000 EA
51XW2520A12	SCREW, HEX SER SLT HD, ZN, 1/4-20 X .75	2.000 EA
11XW1032G06	10-32 X .38, TAPTITE II, HEX WSHR SLTD U	1.000 EA
HW3001B02	BRASS CUP WASHER W/GROUND SYMBOL TAB,	1.000 EA
06CB3500	BALDOR CONDUIT BOX LID	1.000 EA
06GS1001	BALDOR CONDUIT BOX GASKET	1.000 EA
51XW2520A12	.25-20 X .75, TAPTITE II, HEX WSHR SLTD	2.000 EA
MG1025L14	WILKOFASST, 776.14, GRUNDFOS BLACK	0.125 GA
36PA1001	PKG GRP, PRINT PK1017A06	1.000 EA
HW2501E16	KEY, 1/4 SQ X 1.750	1.000 EA
HA7000A02	KEY RETAINER RING, 1 1/8 DIA, 1 3/8 DIA	1.000 EA

**AC Induction Motor Performance Data**

Record # 84601

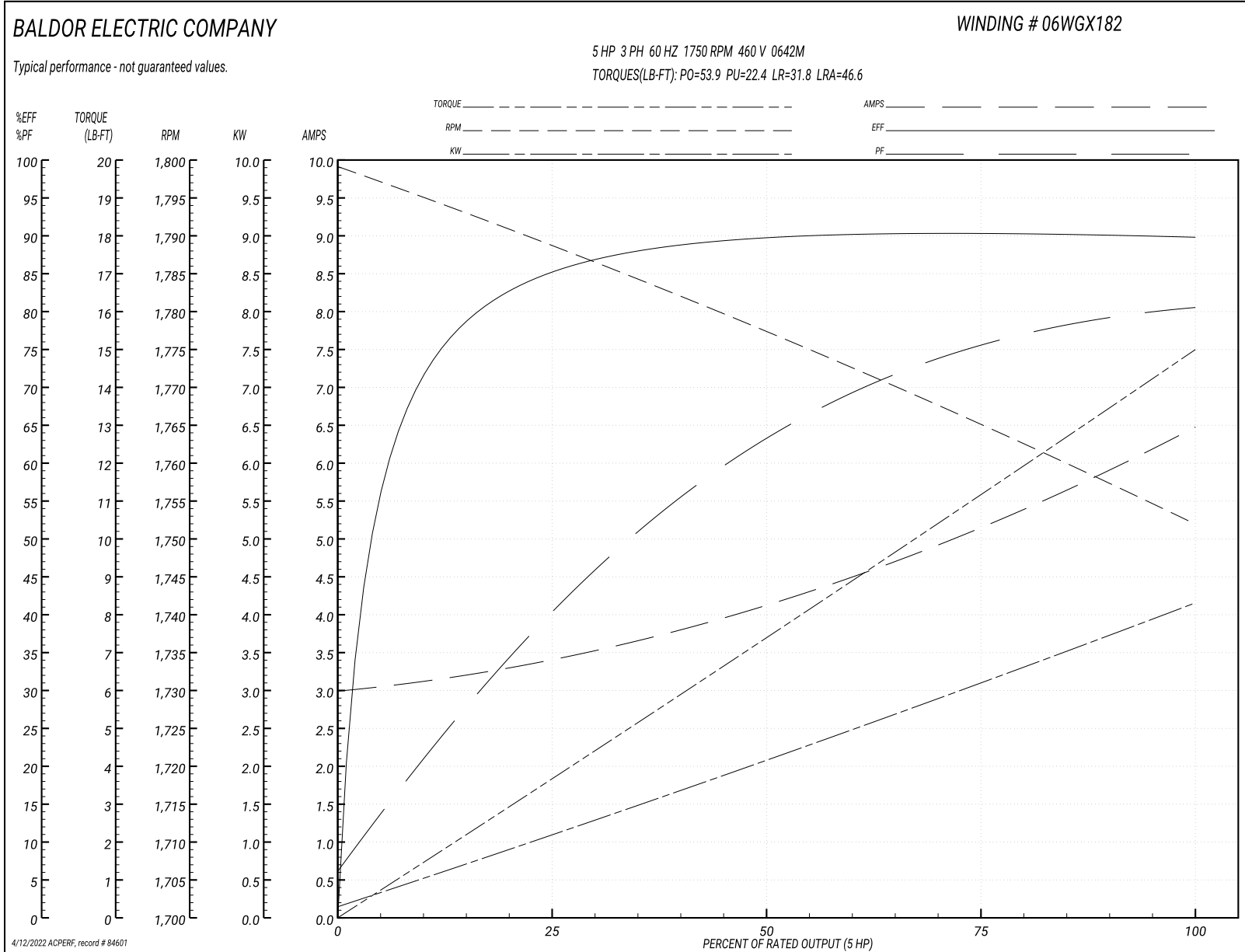
Typical performance - not guaranteed values

<b>Winding: 06WGX182-R028</b>		<b>Type: 0642M</b>		<b>Enclosure: TEFC</b>	
<b>Nameplate Data</b>			<b>460 V, 60 Hz: High Voltage Connection</b>		
<b>Rated Output (HP)</b>	5	<b>Full Load Torque</b>	15 LB-FT		
<b>Volts</b>	208-230/460	<b>Start Configuration</b>	direct on line		
<b>Full Load Amps</b>	14-13/6.5	<b>Breakdown Torque</b>	53.9 LB-FT		
<b>R.P.M.</b>	1750	<b>Pull-up Torque</b>	22.4 LB-FT		
<b>Hz</b>	60 <b>Phase</b>	3	<b>Locked-rotor Torque</b>	31.8 LB-FT	
<b>NEMA Design Code</b>	<b>B KVA Code</b>	J	<b>Starting Current</b>	46.6 A	
<b>Service Factor (S.F.)</b>		1	<b>No-load Current</b>	3.02 A	
<b>NEMA Nom. Eff.</b>	89.5	<b>Power Factor</b>	79	<b>Line-line Res. @ 25°C</b>	2.63 Ω
<b>Rating - Duty</b>	40C AMB-CONT		<b>Temp. Rise @ Rated Load</b>	53°C	
			<b>Locked-rotor Power Factor</b>	40.5	
			<b>Rotor inertia</b>	0.391 lb-ft <sup>2</sup>	

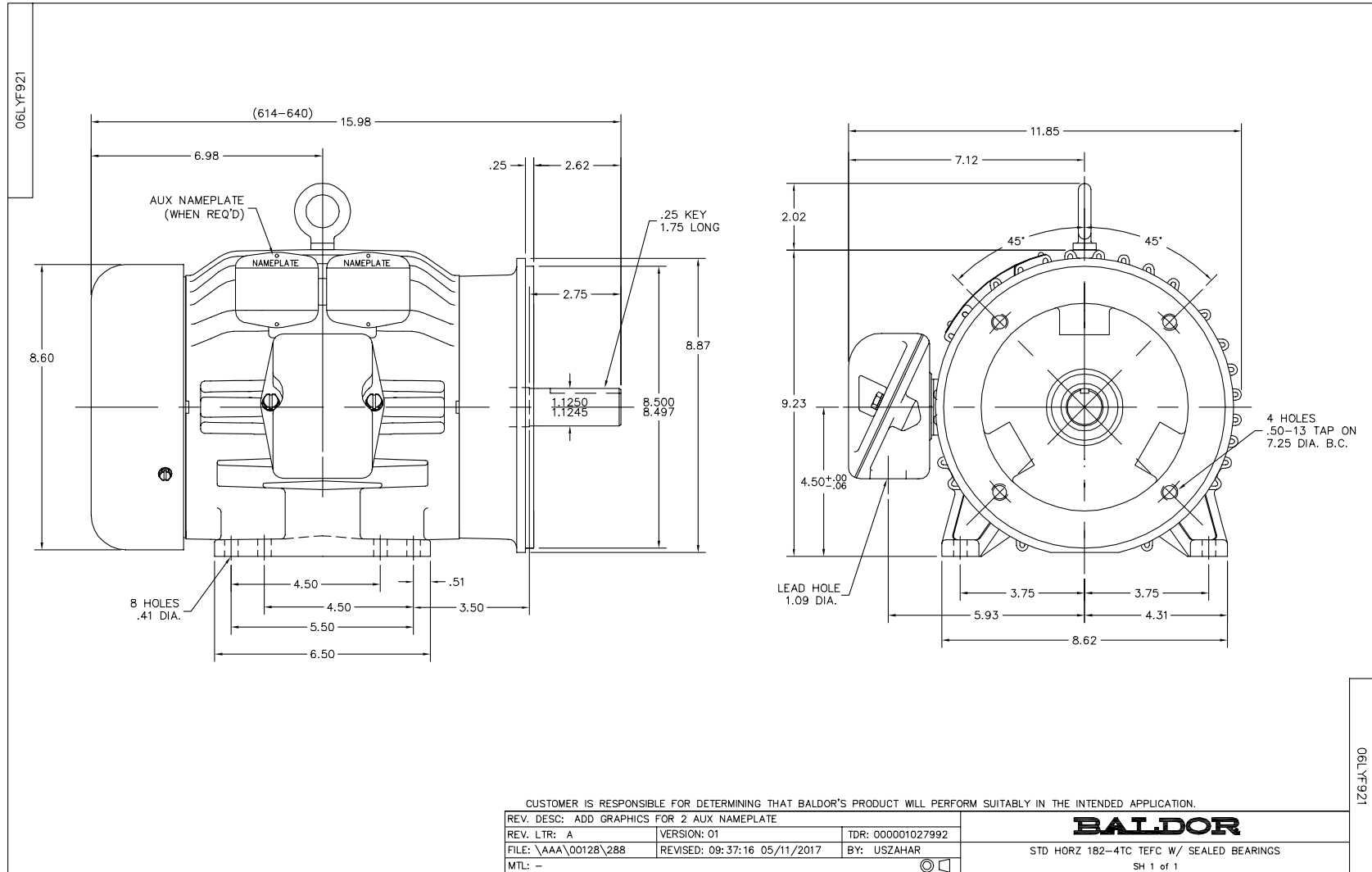
**Load Characteristics 460 V, 60 Hz, 5 HP**

<b>% of Rated Load</b>	<b>25</b>	<b>50</b>	<b>75</b>	<b>100</b>
<b>Power Factor</b>	41	63	75	81
<b>Efficiency</b>	85.1	89.7	90.3	89.8
<b>Speed</b>	1789	1777	1765	1752
<b>Line amperes</b>	3.35	4.14	5.21	6.45

Performance Graph at 460V, 60Hz, 5.0HP Typical performance - Not guaranteed values







CD0005



LOW VOLTAGE  
(2Y)



LINE

HIGH VOLTAGE  
(1Y)



LINE

NOTES:

1. INTERCHANGE ANY TWO LINE LEADS TO REVERSE ROTATION.
2. OPTIONAL THERMOSTATS ARE PROVIDED WHEN SPECIFIED.
3. ACTUAL NUMBER OF INTERNAL PARALLEL CIRCUITS MAY BE A MULTIPLE OF THOSE SHOWN ABOVE.
4. LEAD COLORS ARE OPTIONAL. LEADS MUST ALWAYS BE NUMBERED AS SHOWN.

REV. DESC: REVISE TO SHOW OPTIONAL COLORS			
REV. LTR: E	BY: JLP	REVISED: 01/19/99 10:15	TDR: 0171435
9000D		FILE: AAA00005140	MDL: -
		MTL: -	

**BALDOR ELECTRIC Co.**

3PH, DV, 9 LEADS

CD0005

Marketing maintained PDF of MN416:

<http://www.baldor.com/support/Literature/Load.ashx/MN416?ManNumber=MN416>