

**BALDOR® • RELIANCE** 

**Product Information Packet**

**CXT3154T-5**

**15HP, 1765RPM, 3PH, 60HZ, 254TC, 0948M, TEFC, F**

Part Detail							
Revision:	A	Status:	PRD/A	Change #:		Proprietary:	No
Type:	AC	Elec. Spec:	09WGY380	CD Diagram:	CD0006	Mfg Plant:	
Mech. Spec:		Layout:	09LY-001-012	Poles:	04	Created Date:	07-26-2021
Base:		Eff. Date:	02-18-2022	Leads:	3#12		

Specs			
Catalog Number:	CXT3154T-5	Feedback Device:	NO FEEDBACK
Enclosure:	TEFC	Heater Indicator:	No Heater
Frame:	254TC	Insulation Class:	F
Frame Material:	Iron	Inverter Code:	Inverter Duty
Output @ Frequency:	15.000 HP @ 60 HZ	IP Rating:	NONE
Synchronous Speed @ Frequency:	1800 RPM @ 60 HZ	KVA Code:	H
Voltage @ Frequency:	575.0 V @ 60 HZ	Lifting Lugs:	Standard Lifting Lugs
XP Class and Group:	CLI GP A,B,C,D	Locked Bearing Indicator:	Locked Bearing
XP Division:	Division II	Motor Lead Termination:	Flying Leads
Agency Approvals:	CSA EEV	Motor Type:	0948M
	NEMA PREMIUM	Mounting Arrangement:	F1
	NEMA_PREMIUM	Power Factor:	87
	UR	Product Family:	General Purpose
	CCSA US	Pulley Face Code:	C-Face
Auxillary Box:	No Auxillary Box	Rodent Screen:	None
Auxillary Box Lead Termination:	None	Shaft Ground Indicator:	No Shaft Grounding
Base Indicator:	Rigid	Shaft Rotation:	Reversible
Bearing Grease Type:	Polyrex EM (-20F +300F)	Speed Code:	Single Speed

<b>Blower:</b>	None	<b>Motor Standards:</b>	NEMA
<b>Constant Torque Speed Range:</b>	3	<b>Starting Method:</b>	Direct on line
<b>Current @ Voltage:</b>	14.200 A @ 575.0 V	<b>Thermal Device - Bearing:</b>	None
<b>Design Code:</b>	A	<b>Thermal Device - Winding:</b>	None
<b>Drip Cover:</b>	No Drip Cover	<b>Vibration Sensor Indicator:</b>	No Vibration Sensor
<b>Duty Rating:</b>	CONT	<b>Winding Thermal 1:</b>	None
<b>Electrically Isolated Bearing:</b>	Not Electrically Isolated	<b>Winding Thermal 2:</b>	None
		<b>XP Temp Code:</b>	T3C

Nameplate NP4224L

CAT.NO.	CXT3154T-5		I.P.	54			
SPEC.	09-0000-3322		ENCL	TEFC			
FRAME	254TC	H.P.	15	T. CODE	T3C		
VOLTS	575	P.F.	87				
F.L. AMPS	14.2	RATING	40C AMB-CONT				
R.P.M.	1765	USABLE AT 208V					
HZ.	60	PH.	3	CLASS	F		
SER.F.	1.00	DES.	A	SL HZ	1		
NEMA NOM. EFF.	92.4	W.K.2	2.1				
DE	6309	ODE	6208				
MAG. CUR.	5.3						
INV TYPE	PWM	CHP	60	TO	90	INV TEMP CODE	T3C
CT	3	TO	60	VT	3	TO	60
CC	010A	SN					

Parts List		
Part Number	Description	Quantity
SA395938	SA 09-0000-3322	1.000 EA
RA386716	RA 09-0000-3322	1.000 EA
LB1115N	LABEL,LIFTING DEVICE (ON ROLLS)	1.000 EA
LB1119N	WARNING LABEL	1.000 EA
LC0006	CONNECTION LABEL	1.000 EA
LB1449	DIV-2/NEC WARNING LABEL	1.000 EA
NP4224L	SS CP INV DIV-2 UL CSA-C US EEV PREM, DI	1.000 EA
85XU0407S04	4X1/4 U DRIVE PIN STAINLESS	2.000 EA
MN416A01	TAG-INSTAL-MAINT no wire (2100/bx) 4/22	1.000 EA
HW3201A01	1/2-13 EYEBOLT	1.000 EA
HW1002A63	WASHER, 5/8 HI-COLLAR SPRCKWASHER	1.000 EA
09FH4000SP	309 FH - BLACK PRIMER	1.000 EA
HW1001A38	LOCKWASHER 3/8, ZINC PLT .688 OD, .382 I	4.000 EA
XY3816A12	3/8-16 FINISHED NUT	4.000 EA
37FN3002B02	EXFN, PLASTIC, 7.50 OD, 1.503 ID	1.000 EA
HW2500A25	WOODRUFF KEY USA #1008 #BLOW CARBON STEE	1.000 EA
MJ1000A02	GREASE, MOBIL POLYREX EM - 124047	0.080 LB
09EP1100A196	ENDPLATE, MACH	1.000 EA
HA3400A33	STUD- 3/8-16 X 4.82 HEX WELKER	4.000 EA
HW1001A38	LOCKWASHER 3/8, ZINC PLT .688 OD, .382 I	4.000 EA
HW5100A08	W3118-035 WVY WSHR (WB)	1.000 EA
HA4066A01	PUSH IN T-DRAIN FITTING (BLACK)	1.000 EA
09EP1300A164	FACE MTD. E.P. 309 ENCL 254-6TC 309 BRG-	1.000 EA
HW1001A38	LOCKWASHER 3/8, ZINC PLT .688 OD, .382 I	4.000 EA

Parts List (continued)		
Part Number	Description	Quantity
10XN3816K28	3/8-16 X 1.75 HEX HD CAP SCREW, GRADE 5	4.000 EA
HW4600B44	V-RING SLINGER 1.500 X 1.810 X .28 VITON	1.000 EA
HW4600B44	V-RING SLINGER 1.500 X 1.810 X .28 VITON	1.000 EA
10XN2520K36	1/4-20 X 2.25" HX HD SCRWGRADE 5, ZINC P	4.000 EA
HW1001A25	LOCKWASHER 1/4, ZINC PLT .493 OD, .255 I	4.000 EA
HA4066A01	PUSH IN T-DRAIN FITTING (BLACK)	1.000 EA
09CB3003	CB W/1.75" DIA LD HL - 37, 39, 307 & 309	1.000 EA
09GS1000SP	GASKET-CONDUIT BOX, 1/16 THICK LEXIDE	1.000 EA
51XW2520A12	.25-20 X .75, TAPTITE II, HEX WSHR SLTD	2.000 EA
WD1000B16	T&B CX70TN OR L70P TERMINAL LUG	1.000 EA
59XW2520G07	.25-20X.44,HEX SER WSHR,TAPTITE 2,GREEN	1.000 EA
09CB3501SP	CONDUIT BOX LID FOR 09CB3001 & 09CB3002	1.000 EA
09GS1013SP	GS FOR 09CB3501, 12CB1500 & 12CB1503 LID	1.000 EA
51XW2520A12	.25-20 X .75, TAPTITE II, HEX WSHR SLTD	2.000 EA
MG1025L14	WILKOFASST, 776.14, GRUNDFOS BLACK	0.070 GA
09PA1000	PACKAGING GROUP COMBINED PRINT	1.000 EA
HW2501G25	KEY, 3/8 SQ X 2.875	1.000 EA

**AC Induction Motor Performance Data**

Record # 88577

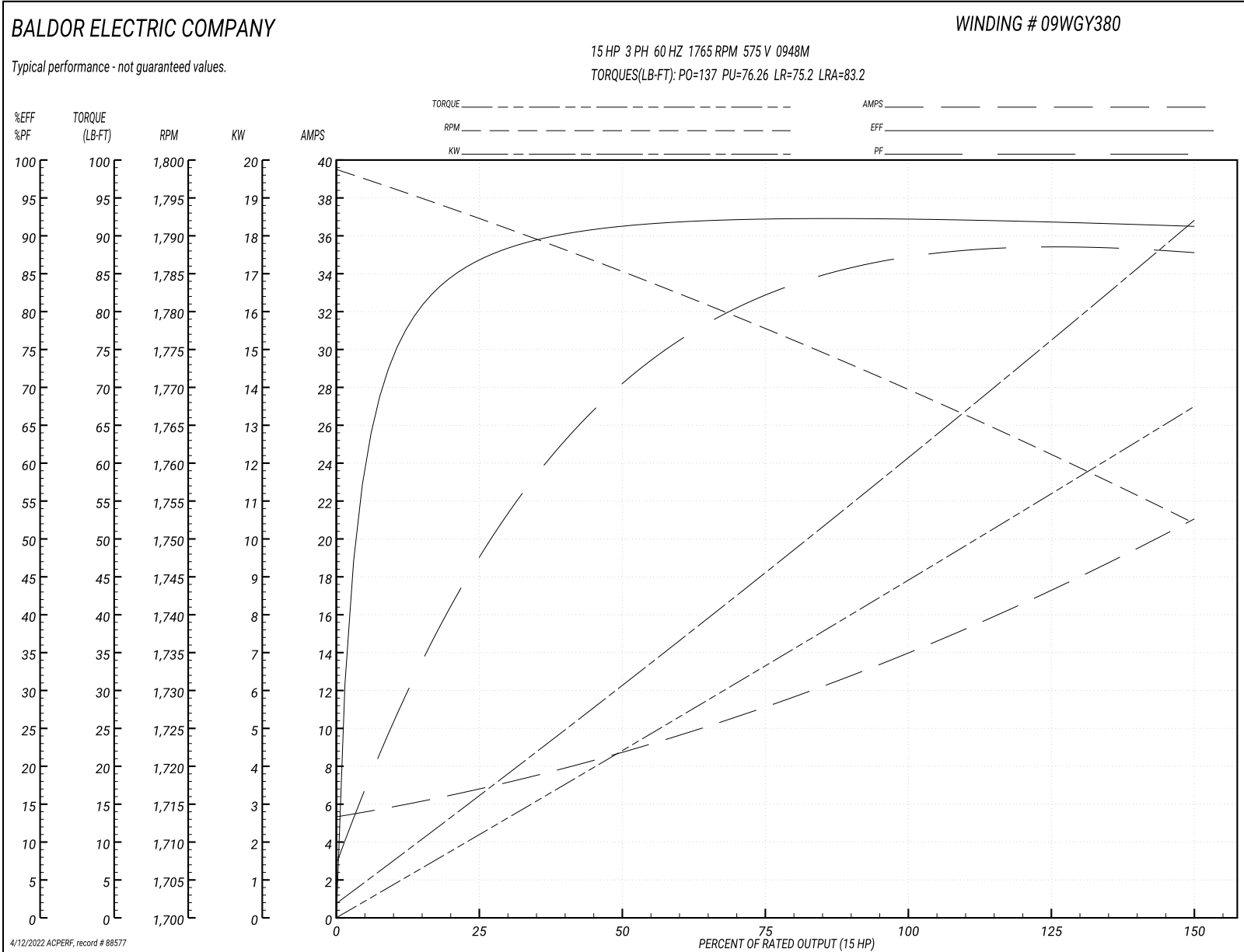
Typical performance - not guaranteed values

Winding: 09WGY380-R001		Type: 0948M	Enclosure: XPFC		
<b>Nameplate Data</b>			<b>575 V, 60 Hz: Single Voltage Motor</b>		
Rated Output (HP)	15	Full Load Torque	44.5 LB-FT		
Volts	575	Start Configuration	direct on line		
Full Load Amps	14.2	Breakdown Torque	137 LB-FT		
R.P.M.	1765	Pull-up Torque	76.26 LB-FT		
Hz	60 Phase	3	Locked-rotor Torque	75.2 LB-FT	
NEMA Design Code	A	KVA Code	H	Starting Current	83.2 A
Service Factor (S.F.)	1.15	No-load Current	5.57 A		
NEMA Nom. Eff.	92.4	Power Factor	87	Line-line Res. @ 25°C	0.825 Ω
Rating - Duty	40C AMB-CONT		Temp. Rise @ Rated Load	47°C	
S.F. Amps			Temp. Rise @ S.F. Load	56°C	
			Locked-rotor Power Factor	32.6	
			Rotor inertia	2.1 lb-ft <sup>2</sup>	

**Load Characteristics 575 V, 60 Hz, 15 HP**

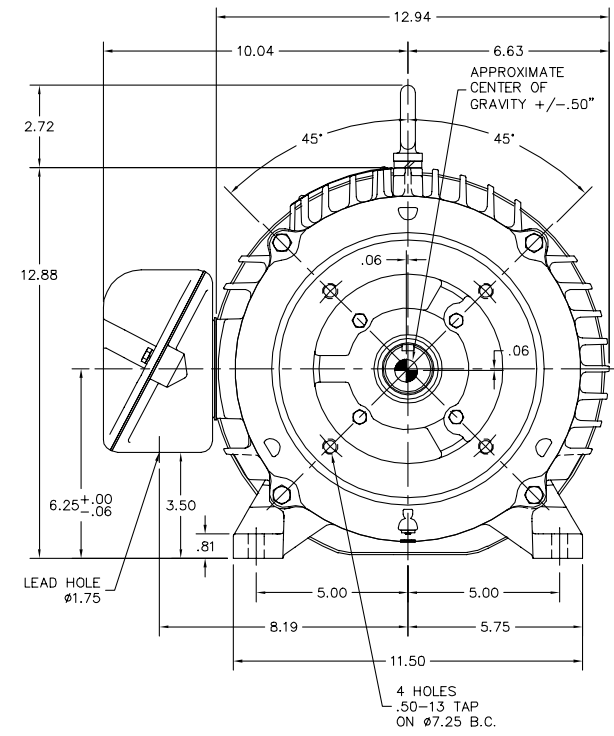
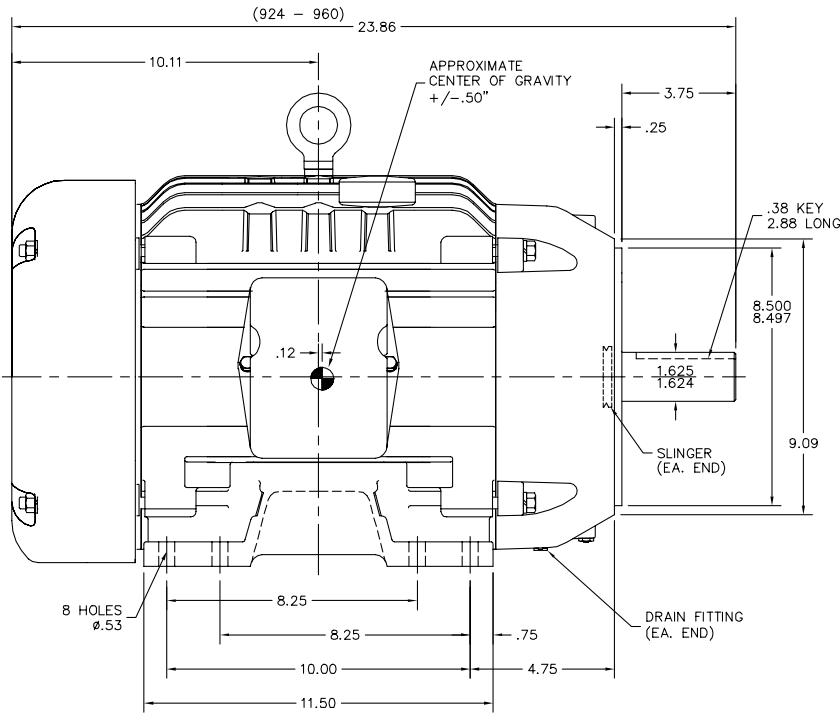
% of Rated Load	25	50	75	100	125	150	S.F.
Power Factor	50	72	82	86	88	89	87
Efficiency	86.7	91.1	92.1	92.2	91.8	91.1	92
Speed	1792	1785	1778	1770	1761	1752	1765
Line amperes	6.51	8.56	11.2	14.2	17.4	20.9	16.1

Performance Graph at 575V, 60Hz, 15.0HP Typical performance - Not guaranteed values





09LY-001-012



09LY-001-012

CUSTOMER IS RESPONSIBLE FOR DETERMINING THAT THE PRODUCT WILL PERFORM SUITABLY IN THE INTENDED APPLICATION.

REV. DESC: 09CB3003 WAS 09CB3002 (LIFE-CYCLE)	VERSION: 02	TDR: 000001166621
REV. LTR: B	REVISED: 11:02:15 05/05/2021	BY: USODDIL
FILE: \AAA\00255\335		
MTL: -		

**BALDOR - RELIANCE**<sup>®</sup>  
 HORZ TEFC 254-6TC W/SLD BRGS  
 SH 1 of 1

CD0006



NOTES:

1. THREE LEAD MOTOR MAY BE EITHER WYE CONNECTED OR DELTA CONNECTED.
2. INTERCHANGE ANY TWO LINE LEADS TO REVERSE ROTATION.
3. OPTIONAL THERMOSTATS ARE PROVIDED WHEN SPECIFIED.
4. ACTUAL NUMBER OF INTERNAL PARALLEL CIRCUITS MAY VARY.
5. LEAD COLORS ARE OPTIONAL. LEADS MUST BE NUMBERED AS SHOWN.

CD0006

REV. DESC: ADD CLASS CONN00000007		
REV. LTR: E	VERSION: 01	TDR: 000001099922
FILE: \AAA\00005\141	REVISED: 10:24:49 02/19/2019	BY: ENBRIRO
MTL: -		

**BALDOR - RELIANCE®**

3PH, SV, 3 LEADS, WYE OR DELTA CONNECTED

SH 1 of 1

Marketing maintained PDF of MN416:

<http://www.baldor.com/support/Literature/Load.ashx/MN416?ManNumber=MN416>