

BALDOR • RELIANCE

Customer information packet

CXT32004T-4

200HP, 1785RPM, 3PH, 60HZ, 447TC, A44120M, TEF

Class - None

Division - Division II

Copyright © All product information within this document is subject to ABB Motors and Mechanical Inc. copyright © protection, unless otherwise noted.

7/14/2022 5:05:42 PM

Specifications

| | |
|-------------------------------|--|
| Enclosure | TEFC |
| Frame | 447TC |
| Frame Material | Iron |
| Frequency | 60.00 Hz |
| Motor Letter Type | Three Phase |
| Output @ Frequency | 200.000 HP @ 60 HZ |
| Phase | 3 |
| Synchronous Speed @ Frequency | 1800 RPM @ 60 HZ |
| Voltage @ Frequency | 460.0 V @ 60 HZ |
| XP Class and Group | None |
| XP Division | Division II |
| Agency Approvals | UR NEMA PREMIUM CSA EEV CCSA US |
| Ambient Temperature | 40 °C |
| Auxillary Box | No Auxillary Box |
| Base Indicator | Rigid |
| Bearing Grease Type | Polyrex EM (-20F +300F) |
| Current @ Voltage | 222.000 A @ 460.0 V |
| Design Code | B |
| Drip Cover | No Drip Cover |
| Duty Rating | CONT |
| Efficiency @ 100% Load | 96.2 % |
| Feedback Device | NO FEEDBACK |
| Heater Indicator | No Heater |
| High Voltage Full Load Amps | 222.0 a |
| Insulation Class | F |
| Inverter Code | Inverter Ready |
| IP Rating | NONE |
| KVA Code | G |
| Max Speed | 3600 rpm |

Part detail

| | |
|--------------|----------------------|
| Revision | A |
| Type | AC |
| Mech. spec. | |
| Base | |
| Status | PRD/A |
| Elec. spec. | A44WG0690 |
| Layout | 617435-359 |
| Eff. date | 01-29-2021 |
| CD Diagram | 416820-036 |
| Poles | 04 |
| Leads | 3#1/0 (02 per group) |
| Proprietary | False |
| Created date | 12-22-2020 |

| | |
|--------------------------------------|--------------------|
| Motor Lead Quantity/Wire Size | 6 @ 1/0 AWG |
| Motor Standards | NEMA |
| Motor Type | A44120M |
| Mounting Arrangement | F1 |
| Number of Poles | 4 |
| Overall Length | 48.47 IN |
| Power Factor | 87 |
| Product Family | General Industrial |
| Pulley End Bearing Type | Ball |
| Pulley Face Code | C-Face |
| Service Factor | 1.15 |
| Shaft Diameter | 3.375 IN |
| Shaft Ground Indicator | No Shaft Grounding |
| Shaft Rotation | Reversible |
| Shaft Slinger Indicator | Shaft Slinger |
| Speed | 1785 rpm |
| Speed Code | Single Speed |
| Starting Method | Direct on line |
| Thermal Device - Bearing | None |
| Thermal Device - Winding | None |

Nameplate

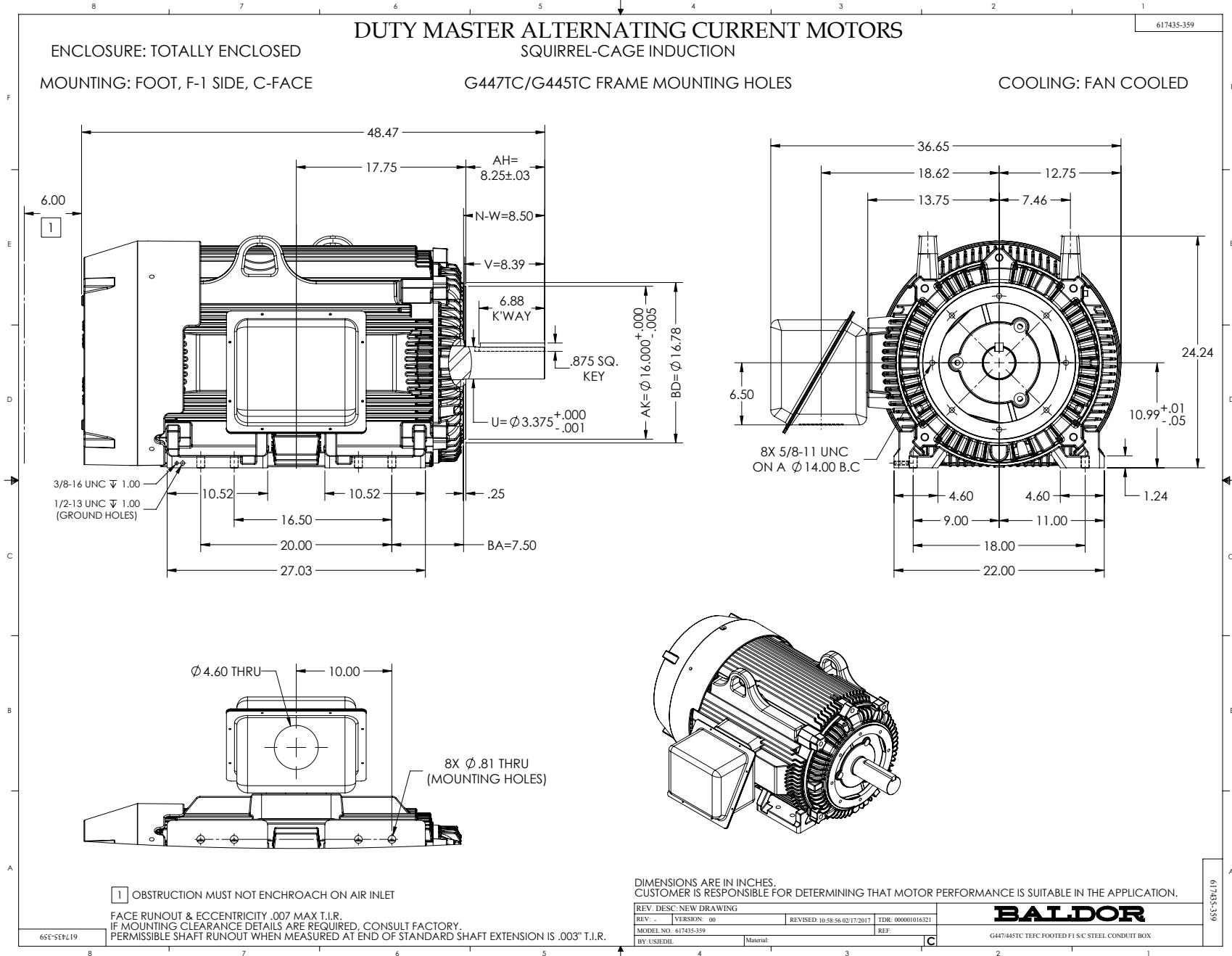
NP4152LUA

| | | | | | | | | | | | | |
|--------------------|--------------------------------|-----------|------------------|-------------------------|--------------|----------------------|----------------------|-----------------------|---------------|----------------------|-----------|-------|
| CAT # | CXT32004T-4 | | | SER | | | | CC | 010A | | | |
| SPEC | A44-5150-0690 | | | RATING | 40C AMB-CONT | | | | | | | |
| HZ | VOLTS | | AMPS | RPM | HP | CODE | SF | DES | PF | NEMA NOM. EFF | | |
| 60 | 460 | | 222 | 1785 | 200 | G | 1.15 | B | 87 % | 96.2 % | | |
| | | | | | | | | | % | | % | |
| PH | 3 | CL | F | MAX RPM | 3600 | MAX CORR KVAR | 34 | USABLE AT 208V | | ---- | A | |
| BRG | DE | 6318 | ODE | 6318 | ENCL | TEFC | FR | 447TC | IP | 54 | | |
| GREASE | POLYREX EM | | | MTR WT | | | LBS | | | | | |
| | CL I DIV 2 GRPS A,B,C,D | | | CL I ZONE 2 GRPS | | | IIA, IIB, IIC | | TEMP T | 200 | C | |
| INV READY | CT | 2:1 | HZ | 30-60 | VT | 0-60 | HZ | 1000:1 | CHP | 60-90 | HZ | 1:1.5 |
| INV TEMP CL | T3 | C | USABLE AT | 50HZ 150HP 380V 203A | | | | | | 1.00 | | |

Parts list

| Part number | Description | Quantity |
|-------------|--|----------|
| SA389086 | SA A44-5150-0690 | 1.000 ea |
| RA379449 | RA A44-5150-0690 | 1.000 ea |
| 421948051 | LABEL, MYLAR | 1.000 ea |
| 000692000VD | LABEL WARNING | 1.000 ea |
| LB1449 | DIV-2/NEC WARNING LABEL | 1.000 ea |
| NP4152LUA | SS CP XT CLI DIV2 UR CSA-C US-EEV NEMA P | 1.000 ea |
| 412118006A | DRAIN | 2.000 ea |
| 034690005AB | PPLG 3/4 PLATED | 1.000 ea |
| 089490099A | G28 BRKT 089490098WCA KB | 1.000 ea |
| 415072001B | CLAMP | 1.000 ea |
| 083199126RA | G28 MOLDED FAN COVER W/BAFFLE ASSEMBLY | 1.000 ea |
| 034180014DA | KEY 1/4X1/4X1-3/4 L | 1.000 ea |
| 078548001R | FAN KB 234/150 (84) 400 | 1.000 ea |
| 004824015A | GREASE POLYREX EM | 1.160 lb |
| 032018020FK | HHCS 3/4-10X2-1/2 PLTD. | 4.000 ea |
| 032018008CK | HHCS 3/8-16X1L PLATED | 4.000 ea |
| 032018030DK | HHCS 1/2-13X3-3/4 PLTD. | 3.000 ea |
| 034631002AB | BUSH 1/4 TO 1/8 PLTD. | 1.000 ea |
| 415096002A | CPLG 1/8 HEX TYPE | 1.000 ea |
| 415045002A | SLGR | 1.000 ea |
| 410700004A | WSHR | 1.000 ea |
| 035000001G | GREASE RELIEF FITTING, ALEMITE 317400 | 1.000 ea |
| 034017014AB | LCKW 3/8 STD. PLATED | 4.000 ea |
| 034530064BB | P/NIP 1/4X8 PLATED | 1.000 ea |
| 034530064AB | P/NIP 1/8 X 8" L Pipe Nipple | 1.000 ea |
| 032620016LA | SOCKET SET SCREW-449 | 3.000 ea |
| 418151014G | RETAIN RING | 1.000 ea |
| 702623013A | THERMAL BARRIER -- G28 -- BRACKET MTD | 1.000 ea |
| 032018004BK | HHCS 5/16-18X1/2 PLATED | 3.000 ea |
| 034017013AB | LCKW 5/16 STD. PLATED | 3.000 ea |
| 034600001AA | BUSH 1/4TO1/8 BLACK | 1.000 ea |

| | | |
|-------------|---|----------|
| 089490106R | G28 C-FACE BRKT MACH-6318 089490105WCA | 1.000 ea |
| 032018024FK | HHCS 3/4-10X3 PLTD. | 5.000 ea |
| 032018032DK | HHCS 1/2-13X4L PLATED | 3.000 ea |
| 415045002A | SLGR | 1.000 ea |
| 035000001G | GREASE RELIEF FITTING, ALEMITE 317400 | 1.000 ea |
| 702658001B | +C/BOX, PAINTED 440 | 1.000 ea |
| 702658002A | +C/BOX CVR, PAINTED 440 | 1.000 ea |
| 406056008A | GASKET, TERBD 440 | 1.000 ea |
| 418153001A | GASK 440 | 1.000 ea |
| 418150003A | GREASE FITTING CAP | 1.000 ea |
| 032018008DK | HHCS 1/2-13X1 PLATED | 4.000 ea |
| 035000001A | ALFTG 1/8" 1610-BL | 1.000 ea |
| 415000103D | T/LUG #4AWG-1/0AWG W/HOLE FOR .250 BOLT | 1.000 ea |
| 033512006LB | HHTTS 1/4-20X3/4 PLTD. | 8.000 ea |
| 406099000A | PLUG - FAN COVER 320-440 | 1.000 ea |
| 033512004LB | HHTTS 1/4-20X1/2 PLTD. | 1.000 ea |
| 035000001A | ALFTG 1/8" 1610-BL | 1.000 ea |
| 418150003A | GREASE FITTING CAP | 1.000 ea |
| MG1025L14 | WILKOFAS, 776.14, GRUNDFOS BLACK | 0.500 ga |
| 033775004EA | DRSCR #6-1/4 304 S.S. | 2.000 ea |
| 034180054KA | 7/8 SQ X 6.75 KEY | 1.000 ea |
| 604797056 | 400-447 FRAME 60 X 42 | 1.000 ea |
| 032510026D | CARRIAGE BOLT - 440 | 2.000 ea |
| 034001016AB | WSHR .562ID 1.375OD .109 | 2.000 ea |
| 034001014AB | FLAT WASHER 3/8"PLATED | 2.000 ea |
| 033300014AC | HEX NUT, SHIPPING - 400 | 2.000 ea |
| 604799003C | PLASTIC BAG 42X32X46 | 1.000 ea |



416820-036

A-C MOTOR
CONNECTION DIAGRAM
STANDARD 3 LEAD CONNECTED



(N.P. 1575-BA)

416820-036

| | | |
|--------------------------------------|------------------------------|-------------------|
| REV. DESC: LOADED TO BUS, C/R 335225 | | |
| REV. LTR: - | VERSION: 00 | TDR: 000000538207 |
| FILE: \MGA\00000\682 | REVISED: 11:54:06 04/30/2010 | |
| MTL: - | BY: RAGRA | |

BALDOR

CONN DIAG - STANDARD 3 LEAD
SH 1 of 1