

**BALDOR® • RELIANCE** 

**Product Information Packet**

**CXT3256T**

**25HP, 1180RPM, 3PH, 60HZ, 324TC, 1260M, TEFC, F**

Part Detail							
Revision:	-	Status:	PRD/A	Change #:		Proprietary:	No
Type:	AC	Elec. Spec:	12WGY116	CD Diagram:	CD0180	Mfg Plant:	
Mech. Spec:		Layout:	12LYC052	Poles:	06	Created Date:	12-07-2020
Base:		Eff. Date:	12-23-2020	Leads:	9#8		

Specs			
Catalog Number:	CXT3256T	Electrically Isolated Bearing:	Not Electrically Isolated
Enclosure:	TEFC	Feedback Device:	NO FEEDBACK
Frame:	324TC	Heater Indicator:	No Heater
Frame Material:	Iron	Insulation Class:	F
Output @ Frequency:	25.000 HP @ 60 HZ	Inverter Code:	Inverter Duty
Synchronous Speed @ Frequency:	1200 RPM @ 60 HZ	IP Rating:	NONE
Voltage @ Frequency:	230.0 V @ 60 HZ	KVA Code:	H
	460.0 V @ 60 HZ	Lifting Lugs:	Standard Lifting Lugs
XP Class and Group:	CLI GP A,B,C,D	Locked Bearing Indicator:	Locked Bearing
XP Division:	Division II	Motor Lead Termination:	Flying Leads
Agency Approvals:	CCSA US	Motor Type:	1260M
	CSA EEV	Mounting Arrangement:	F1
	NEMA PREMIUM	Power Factor:	79
	UR	Product Family:	General Purpose
Auxillary Box:	No Auxillary Box	Pulley Face Code:	C-Face
Auxillary Box Lead Termination:	None	Rodent Screen:	None
Base Indicator:	Rigid	Shaft Ground Indicator:	No Shaft Grounding
Bearing Grease Type:	Polyrex EM (-20F +300F)	Shaft Rotation:	Reversible

<b>Blower:</b>	None	<b>Speed Code:</b>	Single Speed
<b>Constant Torque Speed Range:</b>	3	<b>Motor Standards:</b>	NEMA
<b>Current @ Voltage:</b>	63.000 A @ 230.0 V	<b>Starting Method:</b>	Direct on line
	69.000 A @ 208.0 V	<b>Thermal Device - Bearing:</b>	None
	32.000 A @ 460.0 V	<b>Thermal Device - Winding:</b>	None
<b>Design Code:</b>	A	<b>Vibration Sensor Indicator:</b>	No Vibration Sensor
<b>Drip Cover:</b>	No Drip Cover	<b>Winding Thermal 1:</b>	None
<b>Duty Rating:</b>	CONT	<b>Winding Thermal 2:</b>	None
		<b>XP Temp Code:</b>	T3

Nameplate NP4163L			
CAT.NO.	CXT3256T	I.P.	54
SPEC.	12-0000-1942	ENCL	TEFC
FRAME	324TC	H.P.	25
VOLTS	230/460	P.F.	79
F.L. AMPS	63/32	RATING	40C AMB-CONT
R.P.M.	1180	USABLE AT 208V	69
HZ.	60	PH.	3
SER.F.	1.15	DES.	A
NEMA NOM. EFF.	93	WK2	11.5
DE	6312	ODE	6311
MAG. CUR.	27.6/13.8	SL HZ	0.8
INV TYPE	PWM	TO	90
CT	3	CHP	60
CC	010A	VT	3
		TO	60
		T. CODE	T3
		SN	
	USABLE AT 50 HZ 20HP 190/380V		
	62/31A		

Parts List		
Part Number	Description	Quantity
SA388927	SA 12-0000-1942	1.000 EA
RA379292	RA 12-0000-1942	1.000 EA
LB1115N	LABEL,LIFTING DEVICE (ON ROLLS)	1.000 EA
LB1119N	WARNING LABEL	1.000 EA
LC0181	CONNECTION LABEL	1.000 EA
LB1449	DIV-2/NEC WARNING LABEL	1.000 EA
NP4163L	SS CP INV DIV-2 UL CSA-C US EEV PREM, DI	1.000 EA
85XU0407S04	4X1/4 U DRIVE PIN STAINLESS	2.000 EA
MN416A01	TAG-INSTAL-MAINT no wire (2100/bx) 4/22	1.000 EA
12FH1002SP	FAN COVER, CAST	1.000 EA
HW1001A50	LOCKWASHER 1/2, ZINC PLT.,.879 OD, .509 I	4.000 EA
XY5013A12	NUT,1/2-13,HEX,STEEL,ZINCPLATED	4.000 EA
09FN3001B03SP	EXTERNAL FAN, PLASTIC (COMES W/SCREW FRO	1.000 EA
HW2500A25	WOODRUFF KEY USA #1008 #BLOW CARBON STEE	1.000 EA
MJ1000A02	GREASE, MOBIL POLYREX EM - 124047	0.200 LB
12EP1107A196	FREP W/SLINGER & "0" DRAIN,W/O RET HLS	1.000 EA
HA3400A13	STUD, 1/2-13 X 7" WELKER	4.000 EA
HW1001A50	LOCKWASHER 1/2, ZINC PLT.,.879 OD, .509 I	4.000 EA
HW4600B41	V-RING SLINGER 2.125 X 2.880 X 0.280	1.000 EA
HW5100A13	W4627-047 WVY WSHER	1.000 EA
HA4017A01	1/8 X 4 GREASE EXT (F/S)	1.000 EA
HA4051A00	PLASTIC CAP FOR GREASE FITTING	1.000 EA
HW4500A21	1618BALEMITE FITTING 825 UNIVERSAL	1.000 EA
HW4500A17	317400 ALEMITE GREASE RELIEF	1.000 EA

Parts List (continued)		
Part Number	Description	Quantity
HA4066A01	PUSH IN T-DRAIN FITTING (BLACK)	1.000 EA
12EP1105A121	PU ENDPLATE, MACH W/"O" DRAIN	1.000 EA
HW1001A50	LOCKWASHER 1/2, ZINC PLT.,.879 OD, .509 I	4.000 EA
10XN5013K28	1/2-13 X 1.75 HEX HEAD MACH SCREW,GRAD	4.000 EA
HW4600B41	V-RING SLINGER 2.125 X 2.880 X 0.280	1.000 EA
10XN3118K40	5/16-18 X 2.75" HEX HD, GRADE 5	4.000 EA
HW1001A31	LOCKWASHER 5/16, ZINC PLT.591 OD, .319 I	4.000 EA
HA4051A00	PLASTIC CAP FOR GREASE FITTING	1.000 EA
HW4500A03	GREASE FITTING, .125 NPT 1610(ALEMITE) 8	1.000 EA
HW4500A17	317400 ALEMITE GREASE RELIEF	1.000 EA
HA4066A01	PUSH IN T-DRAIN FITTING (BLACK)	1.000 EA
10CB3001	CONDUIT BOX CAST W/2.500 LEAD HOLE	1.000 EA
09GS1000SP	GASKET-CONDUIT BOX, 1/16 THICK LEXIDE	1.000 EA
10XN3118K16	5/16-18 X 1' GRADE #5, STL, ZINC PLATE	4.000 EA
HW1001A31	LOCKWASHER 5/16, ZINC PLT.591 OD, .319 I	4.000 EA
WD1000B25	GND LUG, BURNDY L125HP OR T&B L125HP-BB	1.000 EA
19XW3118G08	.31-18X.50,HEX WSHR HD,TAPTITE 2,GREEN	1.000 EA
10CB3500SP	CONDUIT BOX LID, CAST	1.000 EA
10GS1000SP	GASKET, CONDUIT BOX LID	1.000 EA
51XW2520A12	.25-20 X .75, TAPTITE II, HEX WSHR SLTD	4.000 EA
MG1025L14	WILKOFAS, 776.14, GRUNDFOS BLACK	0.125 GA
12PA1000	PACKAGING GROUP PRINT PK1024A07	1.000 EA
HW2501H33	KEY, 1/2 SQ X 3.875	1.000 EA

**AC Induction Motor Performance Data**

Record # 34363

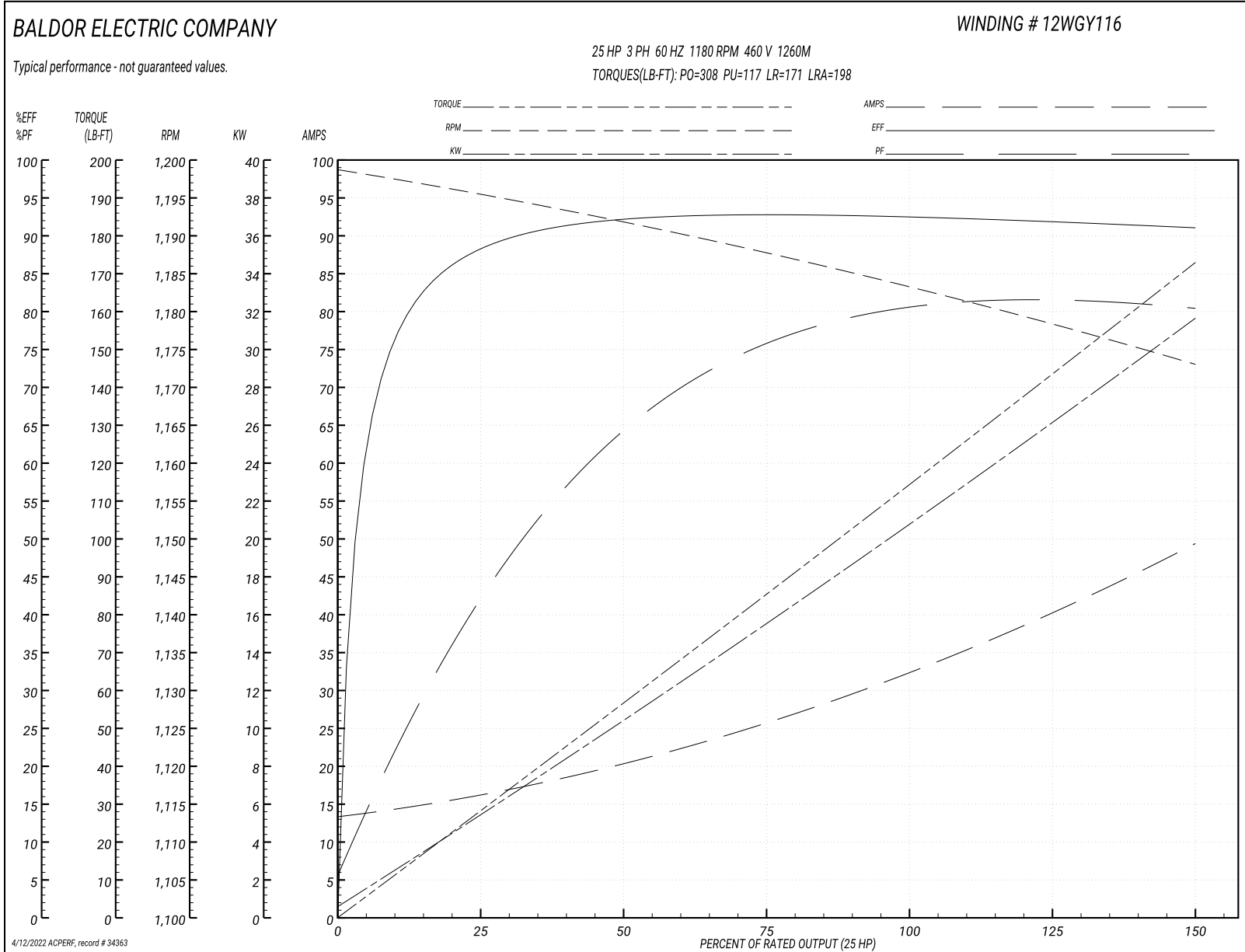
Typical performance - not guaranteed values

<b>Winding: 12WGY116-R001</b>		<b>Type: 1260M</b>		<b>Enclosure: TEFC</b>	
<b>Nameplate Data</b>			<b>460 V, 60 Hz: High Voltage Connection</b>		
<b>Rated Output (HP)</b>	25	<b>Full Load Torque</b>	111 LB-FT		
<b>Volts</b>	230/460	<b>Start Configuration</b>	direct on line		
<b>Full Load Amps</b>	63/32	<b>Breakdown Torque</b>	308 LB-FT		
<b>R.P.M.</b>	1180	<b>Pull-up Torque</b>	117 LB-FT		
<b>Hz</b>	60 <b>Phase</b>	3	<b>Locked-rotor Torque</b>	171 LB-FT	
<b>NEMA Design Code</b>	A	<b>KVA Code</b>	H	<b>Starting Current</b>	198 A
<b>Service Factor (S.F.)</b>	1.15		<b>No-load Current</b>	13.8 A	
<b>NEMA Nom. Eff.</b>	93	<b>Power Factor</b>	79	<b>Line-line Res. @ 25°C</b>	0.27033 Ω
<b>Rating - Duty</b>	40C AMB-CONT		<b>Temp. Rise @ Rated Load</b>	46°C	
<b>S.F. Amps</b>			<b>Temp. Rise @ S.F. Load</b>	56°C	
			<b>Locked-rotor Power Factor</b>	28	
			<b>Rotor inertia</b>	11.5 LB-FT <sup>2</sup>	

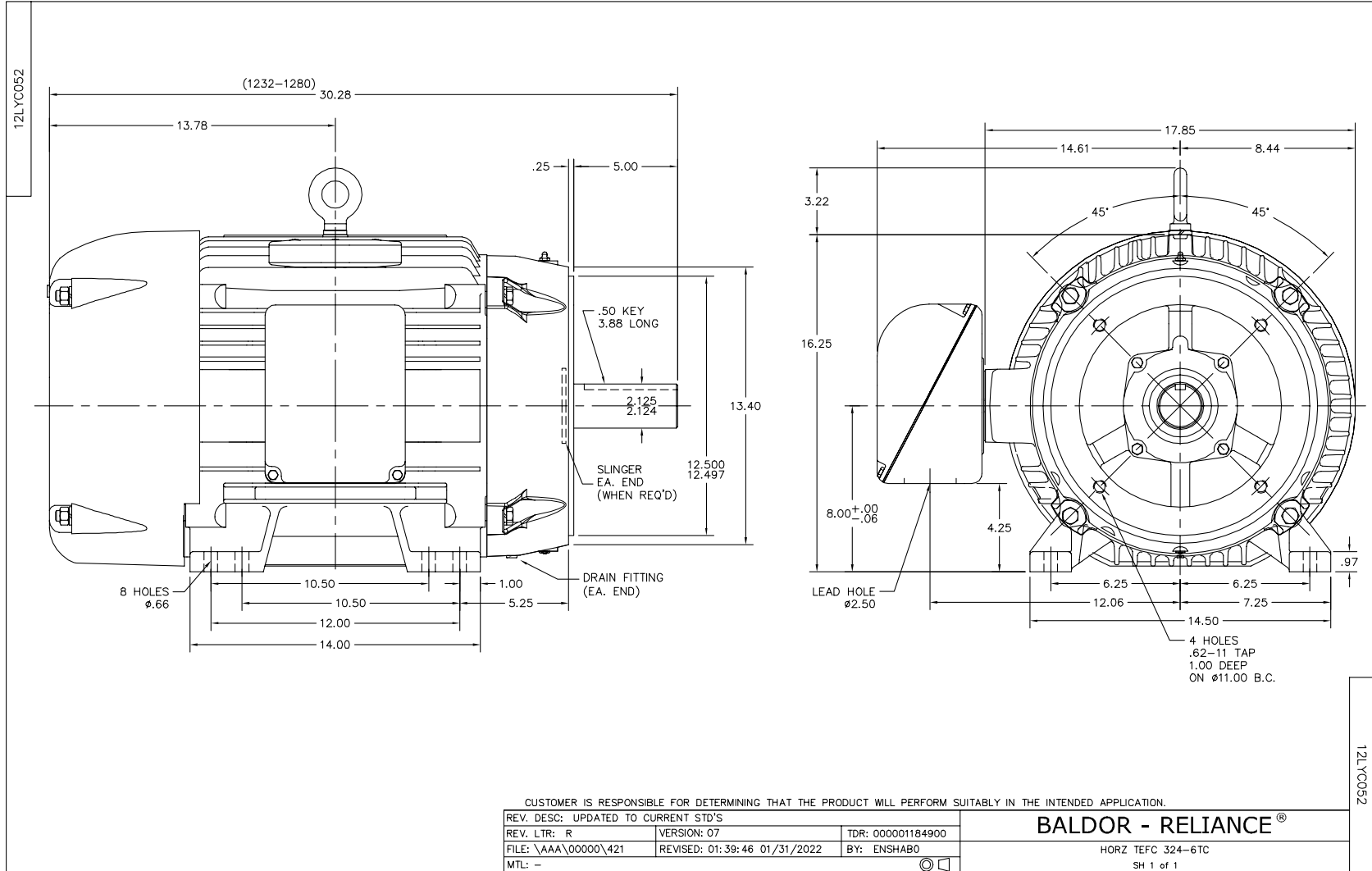
**Load Characteristics 460 V, 60 Hz, 25 HP**

<b>% of Rated Load</b>	<b>25</b>	<b>50</b>	<b>75</b>	<b>100</b>	<b>125</b>	<b>150</b>	<b>S.F.</b>
<b>Power Factor</b>	43	65	75	79	81	81	80
<b>Efficiency</b>	89.1	92.8	93.5	93.2	92.6	91.5	92.8
<b>Speed</b>	1195.4	1191.8	1188.2	1183.9	1179.3	1172.9	1181
<b>Line amperes</b>	15.6	19.7	25.4	31.9	39.2	49.1	36.3

Performance Graph at 460V, 60Hz, 25.0HP Typical performance - Not guaranteed values







CD0180



LOW VOLTAGE  
(2D)



HIGH VOLTAGE  
(1D)



NOTES:

1. INTERCHANGE ANY TWO LINE LEADS TO REVERSE ROTATION.
2. OPTIONAL THERMOSTATS ARE PROVIDED WHEN SPECIFIED.
3. ACTUAL NUMBER OF INTERNAL PARALLEL CIRCUITS MAY BE A MULTIPLE OF THOSE SHOWN ABOVE.
4. LEAD COLORS ARE OPTIONAL. LEADS MUST ALWAYS BE NUMBERED AS SHOWN.

CD0180

REV. DESC: ADD CLASS CONN00000007		
REV. LTR: D	VERSION: 01	TDR: 000001099922
FILE: \AAA\00005\148	REVISED: 10:25:29 02/19/2019	BY: ENBRIRO
MTL: -	© □	

**BALDOR - RELIANCE®**

3PH, DV, 9 LEADS, DELTA CONNECTION

SH 1 of 1

Marketing maintained PDF of MN416:

<http://www.baldor.com/support/Literature/Load.ashx/MN416?ManNumber=MN416>