

DATE
FEBRUARY 23, 2007
CATALOG NO.
DHP00345

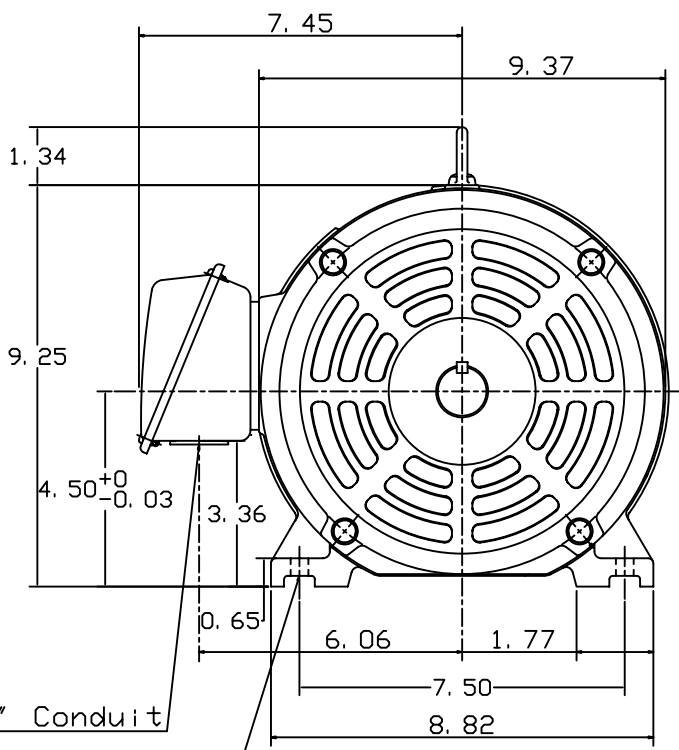
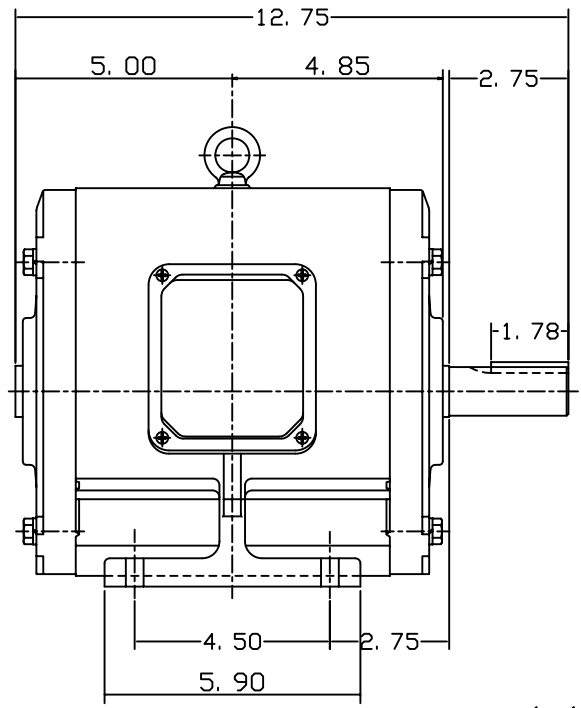
OUTLINE DIMENSIONS
3-PHASE INDUCTION MOTOR

MOTOR TYPE:
ASHH
FRAME NO. 182T

| Pole | HP | KW | Hz | VOLT | Syn. Speed RPM |
|------|----|-----|----|------|-------------------|
| 4 | 3 | 2.2 | 60 | 575 | 1800 |

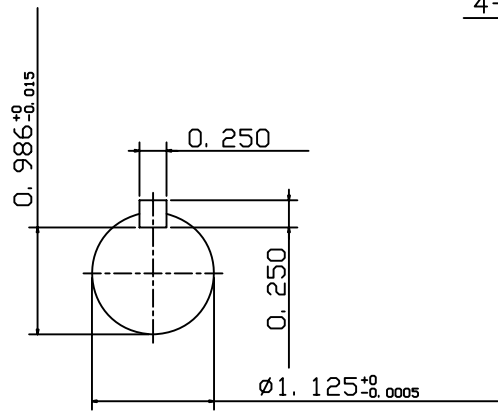
| Ins | Rating | Dimension in | Approx Weight | Bearings |
|-----|--------|--------------|---------------|------------------------|
| F | CONT. | inch | 95 lbs. | DE: 6306ZZ NDE: 6306ZZ |

Open Protected Drip-Proof. Squirrel-cage Rotor.



1.1" Conduit

4-∅0.41 Holes



| | | |
|-------|-------------|----------|
| DWN. | J. H. LIANG | 12-22-98 |
| CHKD. | C. S. LO | 05-20-99 |
| APPD. | Y. B. HUANG | 05-20-99 |



DWG NO.
31057H379001

TECO Westinghouse

| | | |
|------------------------------------|--------------------------------|-----------------------------|
| ISSUED February 19, 2007 | PERFORMANCE DATA | ENCLOSURE ODP |
| TYPE ASHH | 3-PHASE INDUCTION MOTOR | CATALOG# DHP00345 |

NAMEPLATE INFORMATION

| OUTPUT | | POLE | FRAME SIZE | VOLTAGE | HZ | RATED AMBIENT | INS. CLASS | NEMA DESIGN | TIME RATING | SERVICE FACTOR |
|----------|------------|----------|-------------|------------|-----------|---------------|------------|-------------|--------------|----------------|
| HP | KW | | | | | | | | | |
| 3 | 2.2 | 4 | 182T | 575 | 60 | 40°C | F | B | CONT. | 1.15 |

TYPICAL PERFORMANCE

| FULL LOAD RPM | EFFICIENCY | | | | POWER FACTOR | | | MAXIMUM POWER FACTOR CORRECTION |
|---------------|-------------|-------------|-------------|-------------|--------------|------------|-------------|---------------------------------|
| | FULL LOAD | | 3/4 LOAD % | 1/2 LOAD % | F. L. % | 3/4 LOAD % | 1/2 LOAD % | |
| | MIN. % | NOM. % | | | | | | |
| 1755 | 87.5 | 89.5 | 89.5 | 87.5 | 81 | 75 | 62.5 | 1.6 KVAR |

CURRENTS

| NO LOAD | | FULL LOAD | | | LOCKED ROTOR | | | NEMA KVA CODE LETTER |
|-------------|--|-------------|--|--|--------------|--|--|----------------------|
| AT 575 VOLT | | AT 575 VOLT | | | AT 575 VOLT | | | |
| 1.61 | | 3.10 | | | 25.60 | | | |

TORQUE

INERTIA

ACCEL TIME

| FULL LOAD lb-ft | LOCKED ROTOR %FLT | PULL UP %FLT | BREAK DOWN %FLT | ROTOR WR ² lb-ft ² | NEMA LOAD WK ² lb-ft ² | MAX ALLOWABLE WK ² lb-ft ² | NEMA LOAD WK ² Sec | MAX ALLOWABLE WK ² Sec |
|-----------------|-------------------|--------------|-----------------|--|--|--|-------------------------------|-----------------------------------|
| 8.98 | 220 | 180 | 330 | 0.275 | 17 | 67 | 4.30 | 16.74 |

SAFE STALL TIME IN SECONDS

ALLOWABLE STARTS PER HOUR

SOUND PRESSURE LEVEL @ 3 FT dB(A)

| COLD | | HOT | | 53 |
|-----------|-----------|----------|----------|----|
| 39 | 27 | 2 | 1 | |

| | | | | |
|-----------|------------------|-------------|----------------------|-------------------|
| APPROVED: | M. PRATER | DRAWING NO. | 31057DHP00345 | REVISION 0 |
|-----------|------------------|-------------|----------------------|-------------------|

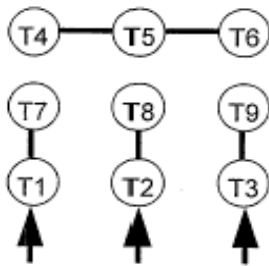
DATE:
February 16, 2007

CONNECTION DIAGRAM

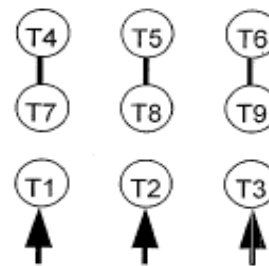


SCHEMATIC - 2Y/Y CONNECTION

ACROSS THE LINE CONNECTION



**LINE
230 VOLT CONNECTION**



**LINE
460 VOLT CONNECTION**