

DATE  
FEBRUARY 23, 2007  
CATALOG NO.  
DHP00525

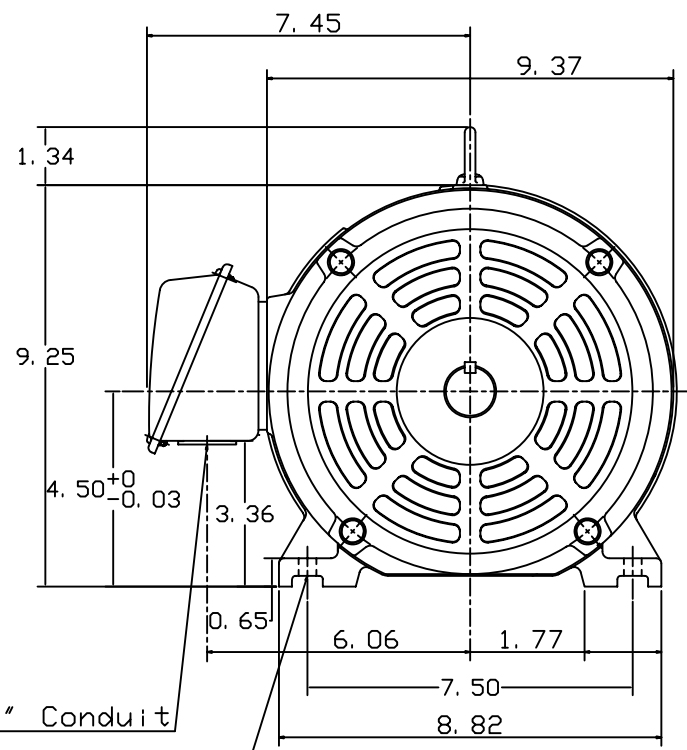
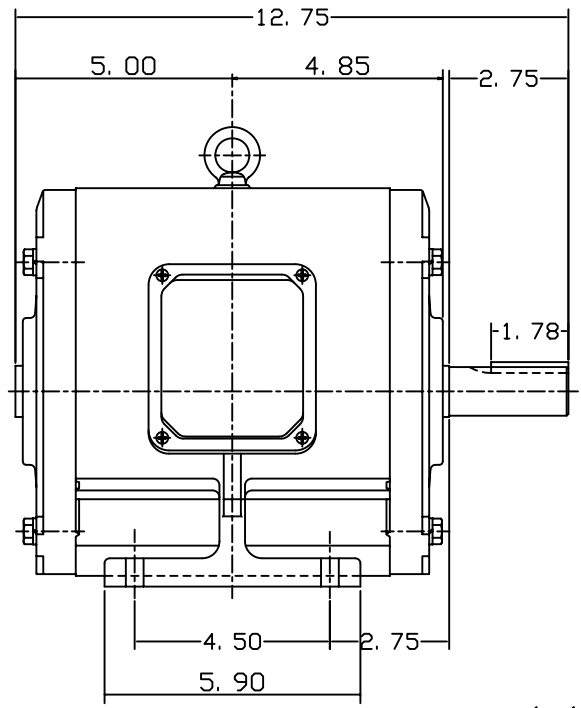
OUTLINE DIMENSIONS  
3-PHASE INDUCTION MOTOR

MOTOR TYPE:  
ASHH  
FRAME NO. 182T

Pole	HP	KW	Hz	VOLT	Syn. Speed RPM
2	5	3.73	60	575	3600

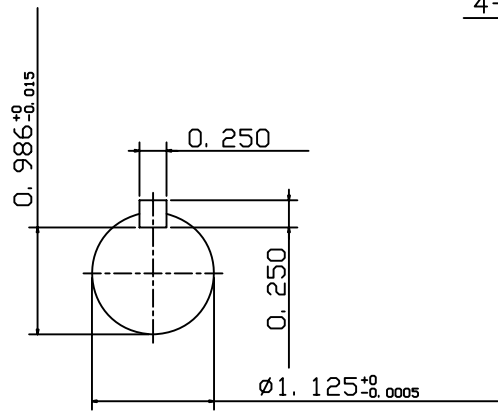
Ins	Rating	Dimension in	Approx Weight	Bearings
F	CONT.	inch	95 lbs.	DE: 6306ZZ NDE: 6306ZZ

Open Protected Drip-Proof. Squirrel-cage Rotor.



1.1" Conduit

4-∅0.41 Holes



DWN.	J. H. LIANG	12-22-98
CHKD.	C. S. LO	05-20-99
APPD.	Y. B. HUANG	05-20-99



DWG NO.  
31057H379002

# TECO Westinghouse

ISSUED <b>February 19, 2007</b>	<b>PERFORMANCE DATA</b>	ENCLOSURE <b>ODP</b>
TYPE <b>ASHH</b>	<b>3-PHASE INDUCTION MOTOR</b>	CATALOG# <b>DHP00525</b>

### NAMEPLATE INFORMATION

OUTPUT		POLE	FRAME SIZE	VOLTAGE	HZ	RATED AMBIENT	INS. CLASS	NEMA DESIGN	TIME RATING	SERVICE FACTOR
HP	KW									
<b>5</b>	<b>3.7</b>	<b>2</b>	<b>182T</b>	<b>575</b>	<b>60</b>	<b>40°C</b>	<b>F</b>	<b>B</b>	<b>CONT.</b>	<b>1.15</b>

### TYPICAL PERFORMANCE

FULL LOAD RPM	EFFICIENCY				POWER FACTOR			MAXIMUM POWER FACTOR CORRECTION
	FULL LOAD		3/4 LOAD %	1/2 LOAD %	F. L. %	3/4 LOAD %	1/2 LOAD %	
	MIN. %	NOM. %						
<b>3465</b>	<b>85.5</b>	<b>87.5</b>	<b>88.5</b>	<b>87.5</b>	<b>91</b>	<b>88.5</b>	<b>81.5</b>	<b>1.4 KVAR</b>

### CURRENTS

NO LOAD		FULL LOAD			LOCKED ROTOR			NEMA KVA CODE LETTER
AT 575 VOLT		AT 575 VOLT			AT 575 VOLT			
<b>1.40</b>			<b>4.72</b>			<b>36.80</b>	<b>J</b>	

### TORQUE

### INERTIA

### ACCEL TIME

FULL LOAD lb-ft	LOCKED ROTOR %FLT	PULL UP %FLT	BREAK DOWN %FLT	ROTOR WR <sup>2</sup> lb-ft <sup>2</sup>	NEMA LOAD WK <sup>2</sup> lb-ft <sup>2</sup>	MAX ALLOWABLE WK <sup>2</sup> lb-ft <sup>2</sup>	NEMA LOAD WK <sup>2</sup> Sec	MAX ALLOWABLE WK <sup>2</sup> Sec
<b>7.58</b>	<b>260</b>	<b>230</b>	<b>310</b>	<b>0.19</b>	<b>5.7</b>	<b>13</b>	<b>3.38</b>	<b>7.58</b>

SAFE STALL TIME IN SECONDS

ALLOWABLE STARTS PER HOUR

SOUND PRESSURE LEVEL @ 3 FT dB(A)

COLD	HOT	COLD	HOT	63
<b>17</b>	<b>12</b>	<b>2</b>	<b>1</b>	

APPROVED:	<b>M. PRATER</b>	DRAWING NO.	<b>31057DHP00525</b>	REVISION <b>0</b>
-----------	------------------	-------------	----------------------	-------------------

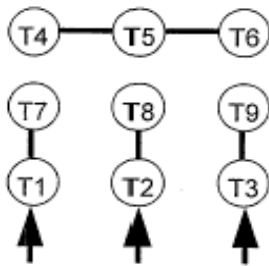
DATE:  
February 16, 2007

# CONNECTION DIAGRAM

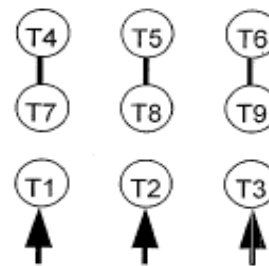


**SCHEMATIC - 2Y/Y CONNECTION**

## ACROSS THE LINE CONNECTION



**LINE  
230 VOLT CONNECTION**



**LINE  
460 VOLT CONNECTION**