

DATE  
FEBRUARY 23, 2007  
CATALOG NO.  
DHP02025

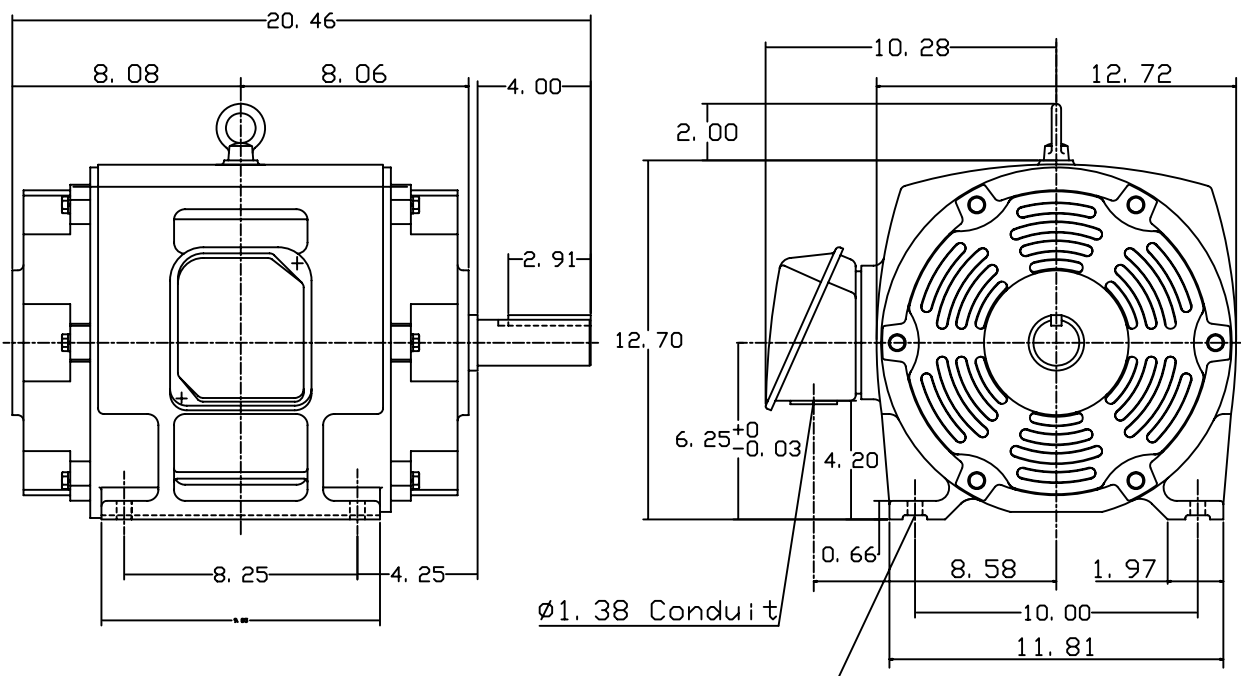
OUTLINE DIMENSIONS  
3-PHASE INDUCTION MOTOR

MOTOR TYPE:  
ASHH  
FRAME NO. 254T

| Pole | HP | KW | Hz | VOLT | Syn. Speed<br>RPM |
|------|----|----|----|------|-------------------|
| 2    | 20 | 15 | 60 | 575  | 3600              |

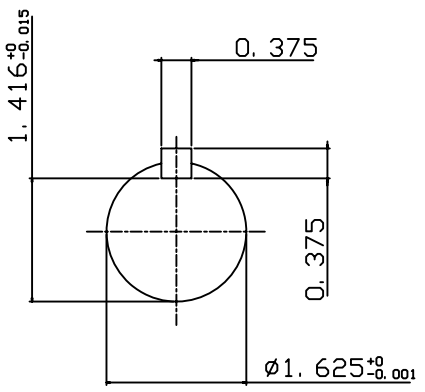
| Ins | Rating | Dimension in | Approx Weight | Bearings               |
|-----|--------|--------------|---------------|------------------------|
| F   | CONT.  | inch         | 247 lbs.      | DE: 6310zz NDE: 6309zz |

Open Protected Drip-Proof Squirrel-Cage Rotor.



Ø1.38 Conduit

4-0.53 Holes



|       |             |          |
|-------|-------------|----------|
| DWN.  | J. H. LIANG | 12-22-98 |
| CHKD. | C. H. KAD   | 06-10-99 |
| APPD. | Y. B. HUANG | 06-10-99 |



DWG NO.  
31057H383002

# TECO Westinghouse

|                                    |                                |                             |
|------------------------------------|--------------------------------|-----------------------------|
| ISSUED<br><b>February 19, 2007</b> | <b>PERFORMANCE DATA</b>        | ENCLOSURE<br><b>ODP</b>     |
| TYPE<br><b>ASHH</b>                | <b>3-PHASE INDUCTION MOTOR</b> | CATALOG#<br><b>DHP02025</b> |

### NAMEPLATE INFORMATION

| OUTPUT    |             | POLE     | FRAME SIZE  | VOLTAGE    | HZ        | RATED AMBIENT | INS. CLASS | NEMA DESIGN | TIME RATING  | SERVICE FACTOR |
|-----------|-------------|----------|-------------|------------|-----------|---------------|------------|-------------|--------------|----------------|
| HP        | KW          |          |             |            |           |               |            |             |              |                |
| <b>20</b> | <b>14.9</b> | <b>2</b> | <b>254T</b> | <b>575</b> | <b>60</b> | <b>40°C</b>   | <b>F</b>   | <b>B</b>    | <b>CONT.</b> | <b>1.15</b>    |

### TYPICAL PERFORMANCE

| FULL LOAD RPM | EFFICIENCY  |           |             |             | POWER FACTOR |             |            | MAXIMUM POWER FACTOR CORRECTION |
|---------------|-------------|-----------|-------------|-------------|--------------|-------------|------------|---------------------------------|
|               | FULL LOAD   |           | 3/4 LOAD %  | 1/2 LOAD %  | F. L. %      | 3/4 LOAD %  | 1/2 LOAD % |                                 |
|               | MIN. %      | NOM. %    |             |             |              |             |            |                                 |
| <b>3520</b>   | <b>89.5</b> | <b>91</b> | <b>92.4</b> | <b>91.7</b> | <b>90.5</b>  | <b>89.5</b> | <b>85</b>  | <b>3.9 KVAR</b>                 |

### CURRENTS

| NO LOAD     |  | FULL LOAD    |  |               | LOCKED ROTOR |  |          | NEMA KVA CODE LETTER |
|-------------|--|--------------|--|---------------|--------------|--|----------|----------------------|
| AT 575 VOLT |  | AT 575 VOLT  |  |               | AT 575 VOLT  |  |          |                      |
| <b>3.95</b> |  | <b>18.20</b> |  | <b>116.00</b> |              |  | <b>G</b> |                      |

### TORQUE

### INERTIA

### ACCEL TIME

| FULL LOAD lb-ft | LOCKED ROTOR %FLT | PULL UP %FLT | BREAK DOWN %FLT | ROTOR WR <sup>2</sup> lb-ft <sup>2</sup> | NEMA LOAD WK <sup>2</sup> lb-ft <sup>2</sup> | MAX ALLOWABLE WK <sup>2</sup> lb-ft <sup>2</sup> | NEMA LOAD WK <sup>2</sup> Sec | MAX ALLOWABLE WK <sup>2</sup> Sec |
|-----------------|-------------------|--------------|-----------------|--|--|--|-------------------------------|-----------------------------------|
| <b>29.8</b>     | <b>210</b>        | <b>170</b>   | <b>260</b>      | <b>0.941</b>                             | <b>21</b>                                    | <b>37</b>  | <b>3.88</b>                   | <b>6.72</b>                       |

SAFE STALL TIME IN SECONDS

ALLOWABLE STARTS PER HOUR

SOUND PRESSURE LEVEL @ 3 FT dB(A)

|           |           |          |          |    |
|-----------|-----------|----------|----------|----|
| COLD      | HOT       | COLD     | HOT      | 75 |
| <b>17</b> | <b>12</b> | <b>2</b> | <b>1</b> |    |

|           |                  |             |                      |                   |
|-----------|------------------|-------------|----------------------|-------------------|
| APPROVED: | <b>M. PRATER</b> | DRAWING NO. | <b>31057DHP02025</b> | REVISION <b>0</b> |
|-----------|------------------|-------------|----------------------|-------------------|

DATE:  
February 16, 2007

# CONNECTION DIAGRAM



**SCHEMATIC - Δ / Y CONNECTION**

## ACROSS THE LINE CONNECTION



## WYE START-DELTA RUN CONNECTION

