

DATE
February 24, 2007

OUTLINE DIMENSIONS

MOTOR TYPE:
ASHH

CATALOG NO.
DHP05045

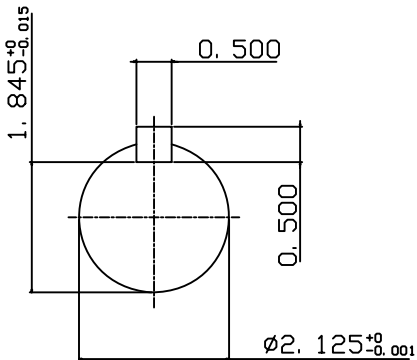
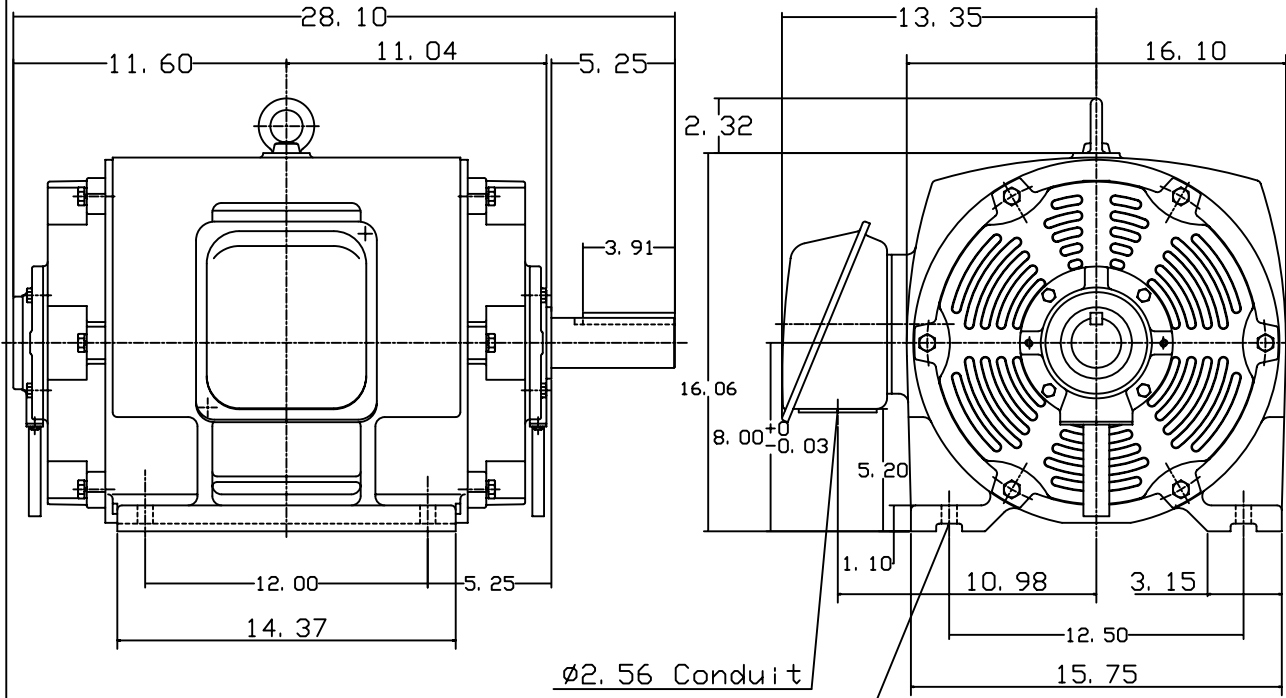
3-PHASE INDUCTION MOTOR

FRAME NO. 326T

Pole	HP	KW	Hz	VOLT	Syn. Speed RPM
4	50	37.3	60	575	1800

Ins	Rating	Dimension in	Approx Weight	Bearings	
F	CONT.	inch	595 lbs.	DE: 6213	NDE: 6213

Open Protected Drip-Proof Squirrel-Cage Rotor.



◊		
---	--	--

DWN.	J. H. LIANG	12-22-98
CHKD.	C. H. KAO	06-10-99
APPD.	Y. B. HUANG	06-10-99



DWG NO.
31057H392001

TECO Westinghouse

ISSUED June 7, 2007	PERFORMANCE DATA	ENCLOSURE ODP
TYPE ASHH	3-PHASE INDUCTION MOTOR	CATALOG# DHP05045

NAMEPLATE INFORMATION

OUTPUT		POLE	FRAME SIZE	VOLTAGE	HZ	RATED AMBIENT	INS. CLASS	NEMA DESIGN	TIME RATING	SERVICE FACTOR
HP	KW									
50	37.3	4	326T	575	60	40°C	F	B	CONT.	1.15

TYPICAL PERFORMANCE

FULL LOAD RPM	EFFICIENCY				POWER FACTOR			MAXIMUM POWER FACTOR CORRECTION
	FULL LOAD		3/4 LOAD %	1/2 LOAD %	F. L. %	3/4 LOAD %	1/2 LOAD %	
	MIN. %	NOM. %						
1775	93.6	94.5	94.5	95.0	85.0	83.5	78.0	11.8 KVAR

CURRENTS

NO LOAD		FULL LOAD			LOCKED ROTOR			NEMA KVA CODE LETTER
AT 575 VOLT		AT 575 VOLT			AT 575 VOLT			
11.52		46.60		290.00			G	

TORQUE

INERTIA

ACCEL TIME

FULL LOAD lb-ft	LOCKED ROTOR %FLT	PULL UP %FLT	BREAK DOWN %FLT	ROTOR WR ² lb-ft ²	NEMA LOAD WK ² lb-ft ²	MAX ALLOWABLE WK ² lb-ft ²	NEMA LOAD WK ² Sec	MAX ALLOWABLE WK ² Sec
147.9	220	175	205	8.624	232	284	4.87	5.92

SAFE STALL TIME IN SECONDS

ALLOWABLE STARTS PER HOUR

SOUND PRESSURE LEVEL @ 3 FT dB(A)

COLD		HOT		69
17	12	2	1	

APPROVED:	M. PRATER	DRAWING NO.	31057DHP05045	REVISION	0
-----------	------------------	-------------	----------------------	----------	----------

DATE:
February 16, 2007

CONNECTION DIAGRAM



SCHEMATIC - Δ / Y CONNECTION

ACROSS THE LINE CONNECTION



WYE START-DELTA RUN CONNECTION

