

DATE
February 24, 2007

OUTLINE DIMENSIONS

MOTOR TYPE:
ASHH

CATALOG NO.
DHP07525

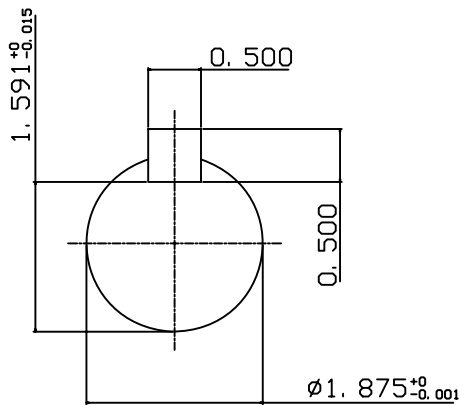
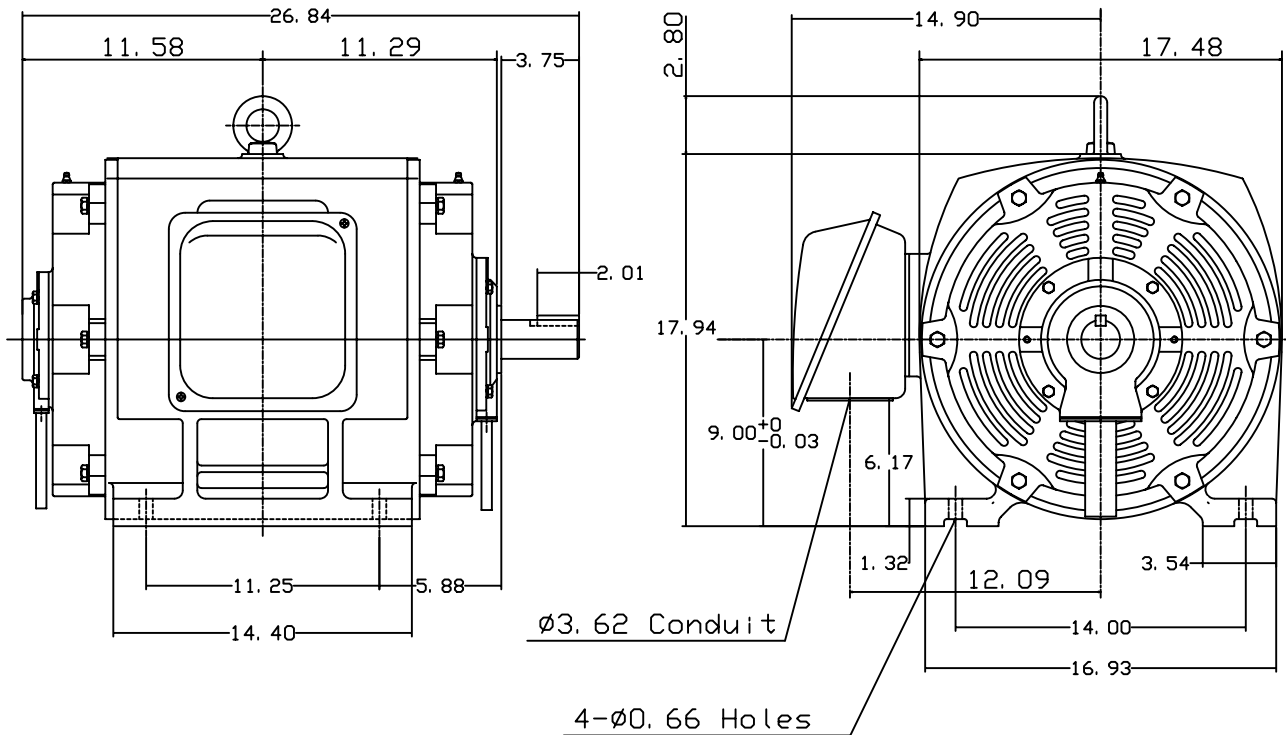
3-PHASE INDUCTION MOTOR

FRAME NO. 364TS

Pole	HP	KW	Hz	VOLT	Syn. Speed RPM
2	75	55	60	575	3600

Ins	Rating	Dimension in	Approx Weight	Bearings
F	CONT.	inch	666 lbs.	DE: 6313C3 NDE: 6213C3

Open Protected Drip-Proof Squirrel-Cage Rotor.



DWN.	J. H. LIANG	12-22-98
CHKD.	C. H. KAO	06-10-99
APPD.	Y. B. HUANG	06-10-99

TECO   Westinghouse

DWG NO.
31057H393000

TECO Westinghouse

ISSUED February 19, 2007	PERFORMANCE DATA 3-PHASE INDUCTION MOTOR	ENCLOSURE ODP
TYPE ASHH		CATALOG# DHP07525

NAMEPLATE INFORMATION

OUTPUT		POLE	FRAME SIZE	VOLTAGE	HZ	RATED AMBIENT	INS. CLASS	NEMA DESIGN	TIME RATING	SERVICE FACTOR
HP	KW									
75	56.0	2	364TS	575	60	40°C	F	B	CONT.	1.15

TYPICAL PERFORMANCE

FULL LOAD RPM	EFFICIENCY				POWER FACTOR			MAXIMUM POWER FACTOR CORRECTION
	FULL LOAD		3/4 LOAD %	1/2 LOAD %	F. L. %	3/4 LOAD %	1/2 LOAD %	
	MIN. %	NOM. %						
3555	93	94.1	94.5	93.6	90.5	89	83	16.8 KVAR

CURRENTS

NO LOAD		FULL LOAD			LOCKED ROTOR			NEMA KVA CODE LETTER
AT 575 VOLT		AT 575 VOLT			AT 575 VOLT			
16.90		66.00		434.00			G	

TORQUE

INERTIA

ACCEL TIME

FULL LOAD lb-ft	LOCKED ROTOR %FLT	PULL UP %FLT	BREAK DOWN %FLT	ROTOR WR ² lb-ft ²	NEMA LOAD WK ² lb-ft ²	MAX ALLOWABLE WK ² lb-ft ²	NEMA LOAD WK ² Sec	MAX ALLOWABLE WK ² Sec
110.8	160	150	250	5.87	71	100	4.11	5.66

SAFE STALL TIME IN SECONDS

ALLOWABLE STARTS PER HOUR

SOUND PRESSURE LEVEL @ 3 FT dB(A)

COLD	HOT	COLD	HOT	83
17	12	2	1	

APPROVED:	M. PRATER	DRAWING NO.	31057DHP07525	REVISION 0
-----------	------------------	-------------	----------------------	-------------------

DATE:
February 16, 2007

CONNECTION DIAGRAM



SCHEMATIC - Δ / Y CONNECTION

ACROSS THE LINE CONNECTION



WYE START-DELTA RUN CONNECTION

