

DATE  
February 20, 2007  
CATALOG NO.  
DHP1/54

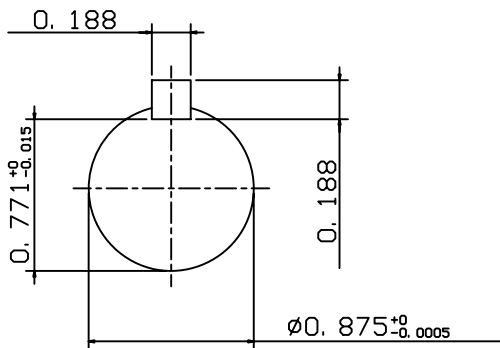
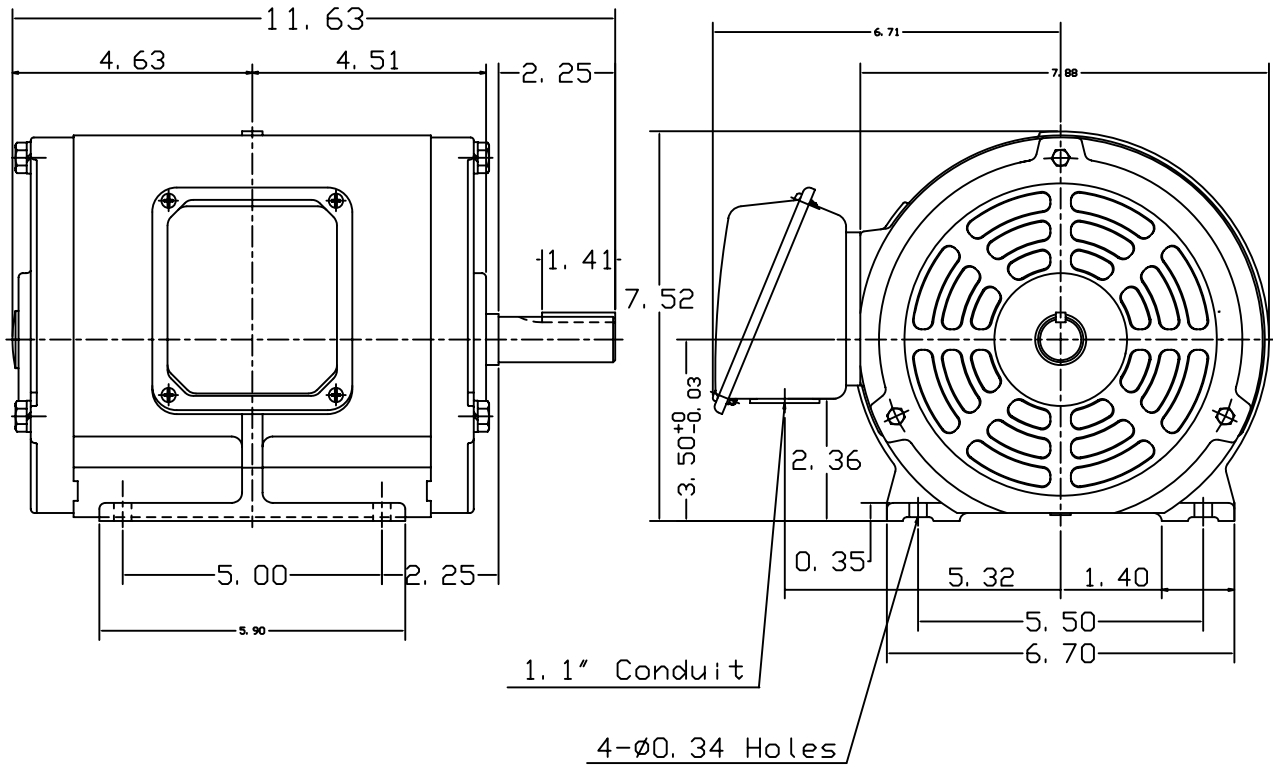
OUTLINE DIMENSIONS  
3-PHASE INDUCTION MOTOR

MOTOR TYPE:  
ASHH  
FRAME NO. 145T

| Pole | HP  | KW | Hz | VOLT    | Syn. Speed<br>RPM |
|------|-----|----|----|---------|-------------------|
| 4    | 1.5 | 1  | 60 | 230/460 | 1800              |

| Ins | Rating | Dimension in | Approx Weight | Bearings               |
|-----|--------|--------------|---------------|------------------------|
| F   | CONT.  | inch         | 66 lbs.       | DE: 6205ZZ NDE: 6205ZZ |

Open Protected Drip-Proof Squirrel Cage Rotor.



|       |             |          |
|-------|-------------|----------|
| DWN.  | J. H. LIANG | 12-22-98 |
| CHKD. | C. S. LO    | 05-20-99 |
| APPD. | Y. B. HUANG | 05-20-99 |

TECO Westinghouse

DWG NO.  
31057H378001

# TECO Westinghouse

|                              |                                |                            |
|------------------------------|--------------------------------|----------------------------|
| ISSUED<br><b>May 3, 2007</b> | <b>PERFORMANCE DATA</b>        | ENCLOSURE<br><b>ODP</b>    |
| TYPE<br><b>ASHH</b>          | <b>3-PHASE INDUCTION MOTOR</b> | CATALOG#<br><b>DHP1/54</b> |

### NAMEPLATE INFORMATION

| OUTPUT     |            | POLE     | FRAME SIZE  | VOLTAGE        | HZ        | RATED AMBIENT | INS. CLASS | NEMA DESIGN | TIME RATING  | SERVICE FACTOR |
|------------|------------|----------|-------------|----------------|-----------|---------------|------------|-------------|--------------|----------------|
| HP         | KW         |          |             |                |           |               |            |             |              |                |
| <b>1.5</b> | <b>1.1</b> | <b>4</b> | <b>145T</b> | <b>230/460</b> | <b>60</b> | <b>40°C</b>   | <b>F</b>   | <b>B</b>    | <b>CONT.</b> | <b>1.15</b>    |

### TYPICAL PERFORMANCE

| FULL LOAD RPM | EFFICIENCY |             |             |             | POWER FACTOR |           |           | MAXIMUM POWER FACTOR CORRECTION |
|---------------|------------|-------------|-------------|-------------|--------------|-----------|-----------|---------------------------------|
|               | FULL LOAD  |             | 3/4 LOAD    | 1/2 LOAD    | F. L.        | 3/4 LOAD  | 1/2 LOAD  |                                 |
|               | MIN. %     | NOM. %      |             |             |              |           |           |                                 |
| <b>1740</b>   | <b>84</b>  | <b>86.5</b> | <b>86.5</b> | <b>86.5</b> | <b>80.5</b>  | <b>73</b> | <b>60</b> | <b>0.8 KVAR</b>                 |

### CURRENTS

| NO LOAD     |             |             | FULL LOAD   |             |             | LOCKED ROTOR |              |              | NEMA KVA CODE LETTER |
|-------------|-------------|-------------|-------------|-------------|-------------|--------------|--------------|--------------|----------------------|
| AT          | AT          | AT          | AT          | AT          | AT          | AT           | AT           | AT           |                      |
| 208 VOLT    | 230 VOLT    | 460 VOLT    | 208 VOLT    | 230 VOLT    | 460 VOLT    | 208 VOLT     | 230 VOLT     | 460 VOLT     |                      |
| <b>2.34</b> | <b>2.11</b> | <b>1.06</b> | <b>4.42</b> | <b>4.03</b> | <b>2.00</b> | <b>44.23</b> | <b>40.00</b> | <b>20.00</b> | <b>M</b>             |

### TORQUE

### INERTIA

### ACCEL TIME

| FULL LOAD lb-ft | LOCKED ROTOR %FLT | PULL UP %FLT | BREAK DOWN %FLT | ROTOR WR <sup>2</sup> lb-ft <sup>2</sup> | NEMA LOAD WK <sup>2</sup> lb-ft <sup>2</sup> | MAX ALLOWABLE WK <sup>2</sup> lb-ft <sup>2</sup> | NEMA LOAD WK <sup>2</sup> Sec | MAX ALLOWABLE WK <sup>2</sup> Sec |
|-----------------|-------------------|--------------|-----------------|--|--|--|-------------------------------|-----------------------------------|
| <b>4.526</b>    | <b>250</b>        | <b>190</b>   | <b>310</b>      | <b>0.093</b>                             | <b>8.6</b>                                   | <b>38</b>  | <b>4.26</b>                   | <b>18.65</b>                      |

SAFE STALL TIME IN SECONDS

ALLOWABLE STARTS PER HOUR

SOUND PRESSURE LEVEL @ 3 FT dB(A)

| COLD      | HOT       | COLD     | HOT      | 45 |
|-----------|-----------|----------|----------|----|
| <b>31</b> | <b>22</b> | <b>2</b> | <b>1</b> |    |

|           |                  |             |                     |                   |
|-----------|------------------|-------------|---------------------|-------------------|
| APPROVED: | <b>M. PRATER</b> | DRAWING NO. | <b>31057DHP1/54</b> | REVISION <b>0</b> |
|-----------|------------------|-------------|---------------------|-------------------|

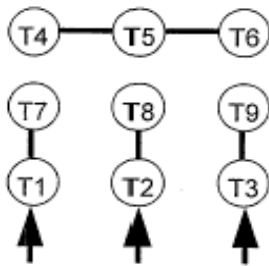
DATE:  
February 16, 2007

# CONNECTION DIAGRAM

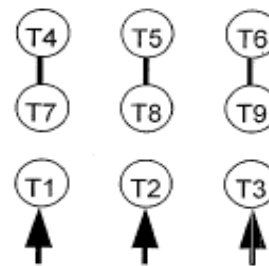


**SCHEMATIC - 2Y/Y CONNECTION**

## ACROSS THE LINE CONNECTION



**LINE  
230 VOLT CONNECTION**



**LINE  
460 VOLT CONNECTION**