

DATE
February 24, 2007
CATALOG NO.
DHP10045R

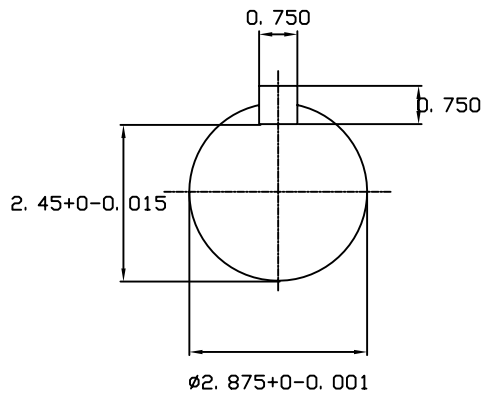
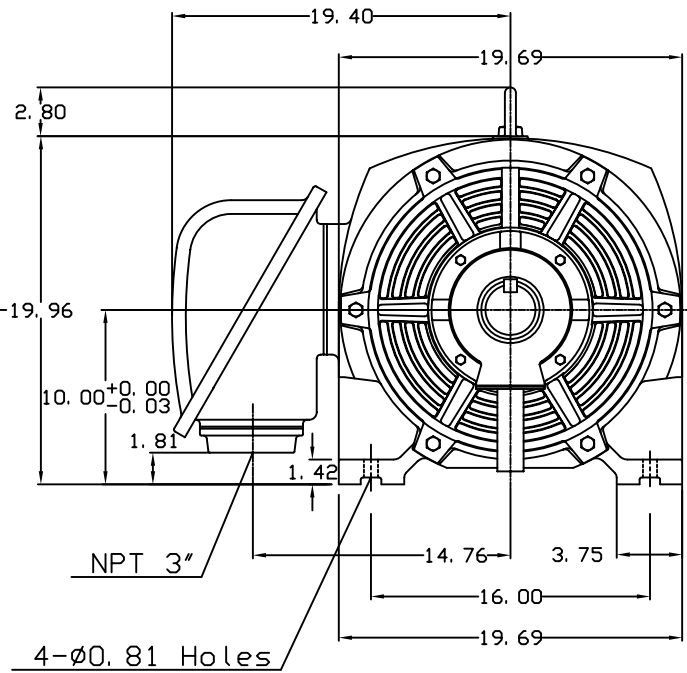
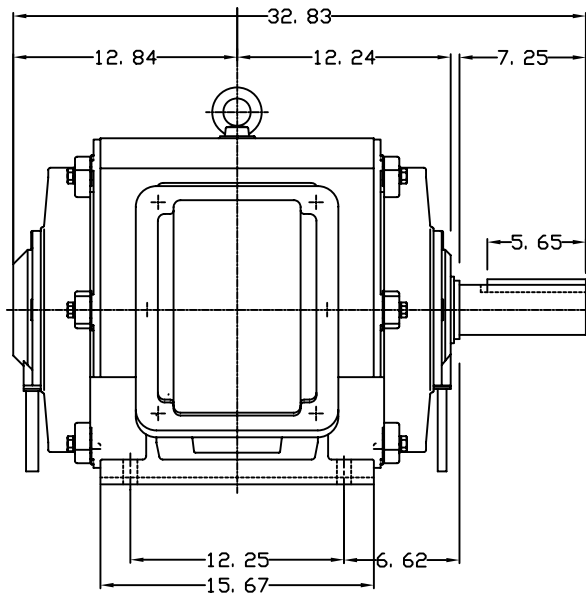
OUTLINE DIMENSIONS
3-PHASE INDUCTION MOTOR

MOTOR TYPE:
ASHH
FRAME NO. 404T

| Pole | HP | KW | Hz | VOLT | Syn. Speed RPM |
|------|-----|----|----|------|-------------------|
| 4 | 100 | 75 | 60 | 575 | 1800 |

| Ins | Rating | Dimension in | Approx Weight | Bearings |
|-----|--------|--------------|---------------|---------------------|
| F | CONT. | inches | 948 lbs. | DE: NU317 NDE: 6317 |

Open Protected Drip-Proof Type, Squirrel-cage Rotor.



| | | |
|-------|-------------|----------|
| DWN. | J. H. LIANG | 12-22-98 |
| CHKD. | C. H. KAD | 06-10-99 |
| APPD. | Y. B. HUANG | 06-10-99 |

TECO Westinghouse

DWG NO.
31057H398001

TECO Westinghouse

| | | |
|-------------------------------|--------------------------------|------------------------------|
| ISSUED June 7, 2007 | PERFORMANCE DATA | ENCLOSURE ODP |
| TYPE ASHH | 3-PHASE INDUCTION MOTOR | CATALOG# DHP10045R |

NAMEPLATE INFORMATION

| OUTPUT | | POLE | FRAME SIZE | VOLTAGE | HZ | RATED AMBIENT | INS. CLASS | NEMA DESIGN | TIME RATING | SERVICE FACTOR |
|------------|-------------|----------|-------------|------------|-----------|---------------|------------|-------------|--------------|----------------|
| HP | KW | | | | | | | | | |
| 100 | 74.6 | 4 | 404T | 575 | 60 | 40°C | F | B | CONT. | 1.15 |

TYPICAL PERFORMANCE

| FULL LOAD RPM | EFFICIENCY | | | | POWER FACTOR | | | MAXIMUM POWER FACTOR CORRECTION |
|---------------|-------------|-------------|-------------|-------------|--------------|-------------|-------------|---------------------------------|
| | FULL LOAD | | 3/4 LOAD % | 1/2 LOAD % | F. L. % | 3/4 LOAD % | 1/2 LOAD % | |
| | MIN. % | NOM. % | | | | | | |
| 1780 | 94.5 | 95.4 | 95.8 | 95.4 | 85.5 | 83.5 | 76.0 | 31.7 KVAR |

CURRENTS

| NO LOAD | | FULL LOAD | | | LOCKED ROTOR | | | NEMA KVA CODE LETTER |
|--------------|--|--------------|--|---------------|--------------|--|----------|----------------------|
| AT 575 VOLT | | AT 575 VOLT | | | AT 575 VOLT | | | |
| 28.96 | | 91.80 | | 580.00 | | | G | |

TORQUE

INERTIA

ACCEL TIME

| FULL LOAD lb-ft | LOCKED ROTOR %FLT | PULL UP %FLT | BREAK DOWN %FLT | ROTOR WR ² lb-ft ² | NEMA LOAD WK ² lb-ft ² | MAX ALLOWABLE WK ² lb-ft ² | NEMA LOAD WK ² Sec | MAX ALLOWABLE WK ² Sec |
|-----------------|-------------------|--------------|-----------------|--|--|--|-------------------------------|-----------------------------------|
| 295 | 220 | 165 | 210 | 20.623 | 441 | 669 | 4.64 | 6.93 |

SAFE STALL TIME IN SECONDS

ALLOWABLE STARTS PER HOUR

SOUND PRESSURE LEVEL @ 3 FT dB(A)

| COLD | HOT | COLD | HOT | 79 |
|-----------|-----------|----------|----------|----|
| 17 | 12 | 2 | 1 | |

| | | | | |
|-----------|------------------|-------------|-----------------------|-------------------|
| APPROVED: | M. PRATER | DRAWING NO. | 31057DHP10045R | REVISION 0 |
|-----------|------------------|-------------|-----------------------|-------------------|

DATE:
February 16, 2007

CONNECTION DIAGRAM



SCHEMATIC - Δ / Y CONNECTION

ACROSS THE LINE CONNECTION



WYE START-DELTA RUN CONNECTION

