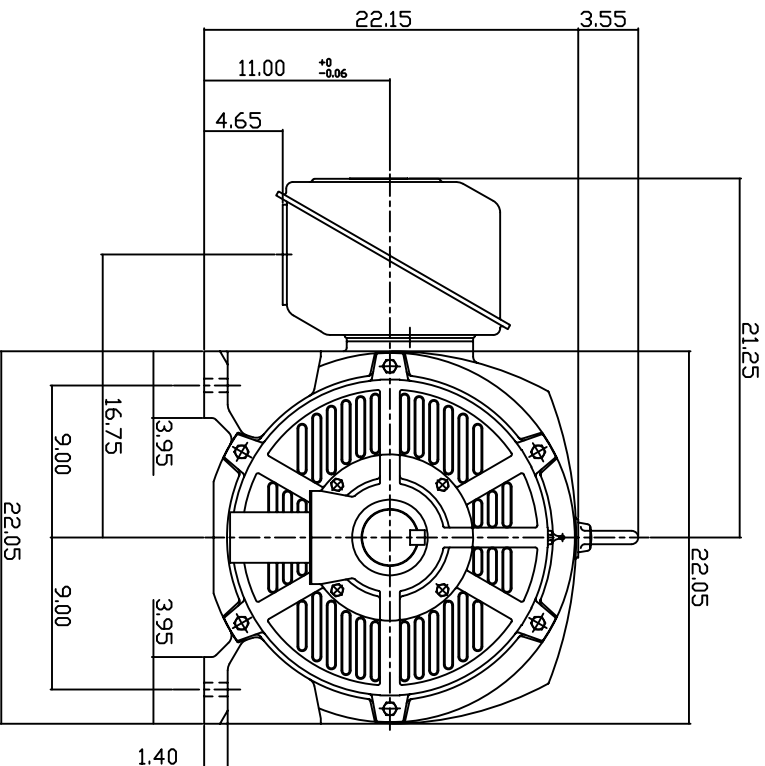
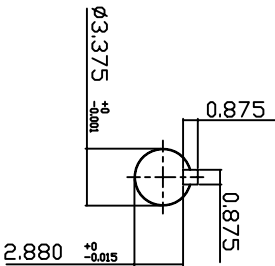
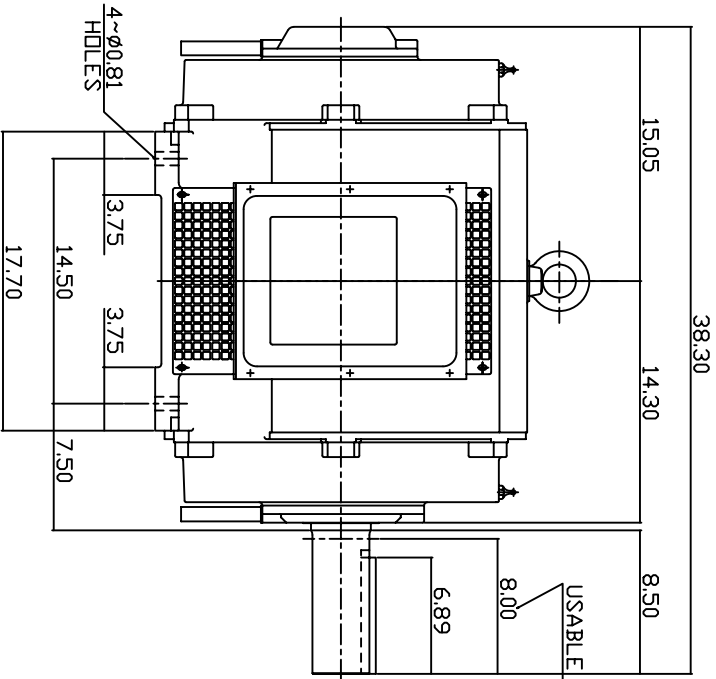


TYPE	OUTPUT		POLE	TIME RATING	VOLTAGE V	Hz	SYN SPEED R.P.M
	HP.	KW.					
ASHH	100	75	6	CDNT.	230/460	60	1200

DRIP PROOF TYPE, SQUIRREL-CAGE ROTOR



NOTE:

1. DIMENSIONS IN INCH.
2. FRAME NO.444T
3. F CLASS INSULATION, S.F.115
4. FOR BELT DRIVE APPLICATIONS
5. BEARING SIZE: DRIVE END: 6318
NON-DRIVE END: 6316
6. MOTOR APPROX. WEIGHT: 1170 LBS

TB-56SC

DVN.	W.LLIN	MAR. 26. 2003
CHKD.	W.LLIN	MAR. 26. 2003
APPD.	C.WANG	MAR. 26. 2003

DATE	June 21 2007	OUTLINE DIMENSIONS
CATALOG NO.	DHPI006	
3-PHASE INDUCTION MOTOR		DWG NO.
		3A040T259
		REV: 00



3A040T259

TECO Westinghouse

ISSUED May 7, 2007	PERFORMANCE DATA	ENCLOSURE ODP
TYPE ASHH	3-PHASE INDUCTION MOTOR	CATALOG# DHP1006

NAMEPLATE INFORMATION

OUTPUT		POLE	FRAME SIZE	VOLTAGE	HZ	RATED AMBIENT	INS. CLASS	NEMA DESIGN	TIME RATING	SERVICE FACTOR
HP	KW									
100	74.6	6	444T	230/460	60	40°C	F	B	CONT.	1.15

TYPICAL PERFORMANCE

FULL LOAD RPM	EFFICIENCY				POWER FACTOR			MAXIMUM POWER FACTOR CORRECTION
	FULL LOAD		3/4 LOAD %	1/2 LOAD %	F. L. %	3/4 LOAD %	1/2 LOAD %	
	MIN. %	NOM. %						
1181	94.1	95.0	94.5	93.3	82.0	78.9	75.0	38.6 KVAR

CURRENTS

NO LOAD			FULL LOAD			LOCKED ROTOR			NEMA KVA CODE LETTER
AT	AT	AT	AT	AT	AT	AT	AT	AT	
208 VOLT	230 VOLT	460 VOLT	208 VOLT	230 VOLT	460 VOLT	208 VOLT	230 VOLT	460 VOLT	
107.04	96.80	48.40	265.38	240.00	120.00	1603.37	1450.00	725.00	G

TORQUE

INERTIA

ACCEL TIME

FULL LOAD lb-ft	LOCKED ROTOR %FLT	PULL UP %FLT	BREAK DOWN %FLT	ROTOR WR ² lb-ft ²	NEMA LOAD WK ² lb-ft ²	MAX ALLOWABLE WK ² lb-ft ²	NEMA LOAD WK ² Sec	MAX ALLOWABLE WK ² Sec
445	140	120	210	47	1181	2953	6.29	15.36

SAFE STALL TIME IN SECONDS

ALLOWABLE STARTS PER HOUR

SOUND PRESSURE LEVEL @ 3 FT dB(A)

COLD	HOT	COLD	HOT	78
18	13	2	1	

APPROVED:	M. PRATER	DRAWING NO.	31057DHP1006	REVISION 0
-----------	------------------	-------------	---------------------	-------------------

DATE:
February 16, 2007

CONNECTION DIAGRAM



SCHEMATIC - Δ / Y CONNECTION

ACROSS THE LINE CONNECTION



WYE START-DELTA RUN CONNECTION

