

DATE  
February 24, 2007  
CATALOG NO.  
DHP12525

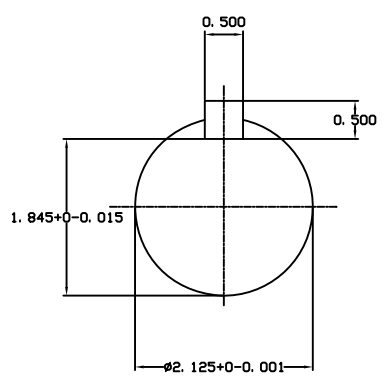
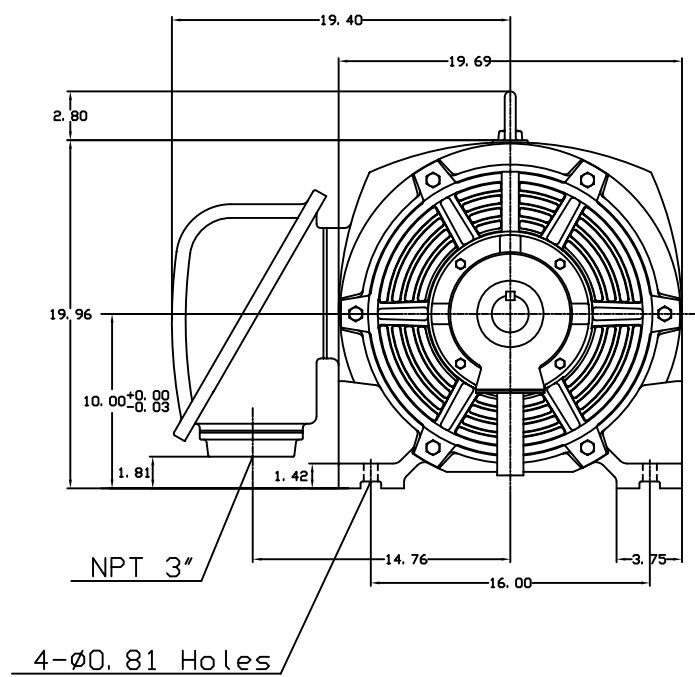
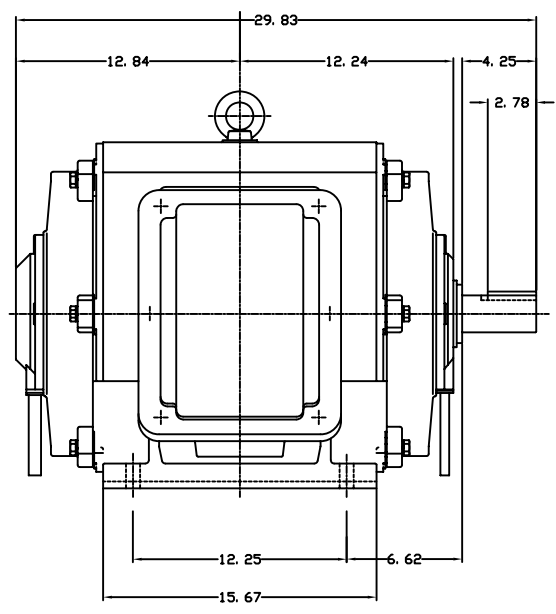
OUTLINE DIMENSIONS  
3-PHASE INDUCTION MOTOR

MOTOR TYPE:  
ASHH  
FRAME NO. 404TS

Pole	HP	KW	Hz	VOLT	Syn. Speed RPM
2	125	90	60	575	3600

Ins	Rating	Dimension in	Approx Weight	Bearings
F	CONT.	inch	902 lbs.	DE: 6313C3 NDE: 6313C3

Open Protected Drip-Proof Type, Squirrel-cage Rotor.



DWN.	J. H. LIANG	12-22-98	J:\Sales-Mkt\Tframe\TECH-SUP\Auto Cad Drawings\New\logblackwhite_1.tif	DWG NO.	31057H397000
CHKD.	C. H. KAD	06-10-99			
APPD.	Y. B. HUANG	06-10-99			

# TECO Westinghouse

ISSUED <b>February 19, 2007</b>	<b>PERFORMANCE DATA</b>	ENCLOSURE <b>ODP</b>
TYPE <b>ASHH</b>	<b>3-PHASE INDUCTION MOTOR</b>	CATALOG# <b>DHP12525</b>

### NAMEPLATE INFORMATION

OUTPUT		POLE	FRAME SIZE	VOLTAGE	HZ	RATED AMBIENT	INS. CLASS	NEMA DESIGN	TIME RATING	SERVICE FACTOR
HP	KW									
<b>125</b>	<b>93.3</b>	<b>2</b>	<b>404TS</b>	<b>575</b>	<b>60</b>	<b>40°C</b>	<b>F</b>	<b>B</b>	<b>CONT.</b>	<b>1.15</b>

### TYPICAL PERFORMANCE

FULL LOAD RPM	EFFICIENCY				POWER FACTOR			MAXIMUM POWER FACTOR CORRECTION
	FULL LOAD		3/4 LOAD %	1/2 LOAD %	F. L. %	3/4 LOAD %	1/2 LOAD %	
	MIN. %	NOM. %						
<b>3560</b>	<b>93</b>	<b>94.1</b>	<b>94.1</b>	<b>94.1</b>	<b>90.5</b>	<b>87.5</b>	<b>83</b>	<b>22.9 KVAR</b>

### CURRENTS

NO LOAD		FULL LOAD			LOCKED ROTOR			NEMA KVA CODE LETTER
AT 575 VOLT		AT 575 VOLT			AT 575 VOLT			
<b>23.00</b>			<b>110.00</b>			<b>726.00</b>	<b>G</b>	

### TORQUE

### INERTIA

### ACCEL TIME

FULL LOAD lb-ft	LOCKED ROTOR %FLT	PULL UP %FLT	BREAK DOWN %FLT	ROTOR WR <sup>2</sup> lb-ft <sup>2</sup>	NEMA LOAD WK <sup>2</sup> lb-ft <sup>2</sup>	MAX ALLOWABLE WK <sup>2</sup> lb-ft <sup>2</sup>	NEMA LOAD WK <sup>2</sup> Sec	MAX ALLOWABLE WK <sup>2</sup> Sec
<b>184.4</b>	<b>140</b>	<b>120</b>	<b>250</b>	<b>8.379</b>	<b>113</b>	<b>144</b>	<b>4.04</b>	<b>5.07</b>

SAFE STALL TIME IN SECONDS

ALLOWABLE STARTS PER HOUR

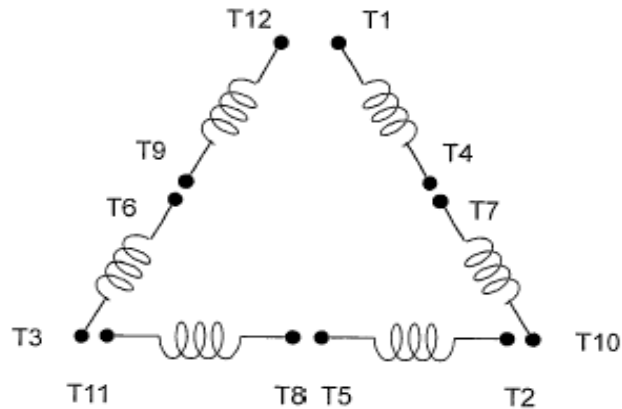
SOUND PRESSURE LEVEL @ 3 FT dB(A)

COLD	HOT	COLD	HOT	84
<b>17</b>	<b>12</b>	<b>2</b>	<b>1</b>	

APPROVED:	<b>M. PRATER</b>	DRAWING NO.	<b>31057DHP12525</b>	REVISION <b>0</b>
-----------	------------------	-------------	----------------------	-------------------

DATE:  
February 16, 2007

# CONNECTION DIAGRAM



**SCHEMATIC - Δ / Y CONNECTION**

## ACROSS THE LINE CONNECTION



## WYE START-DELTA RUN CONNECTION

