

DATE
February 24, 2007
CATALOG NO.
DHP15025

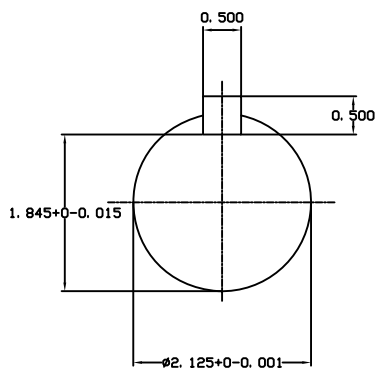
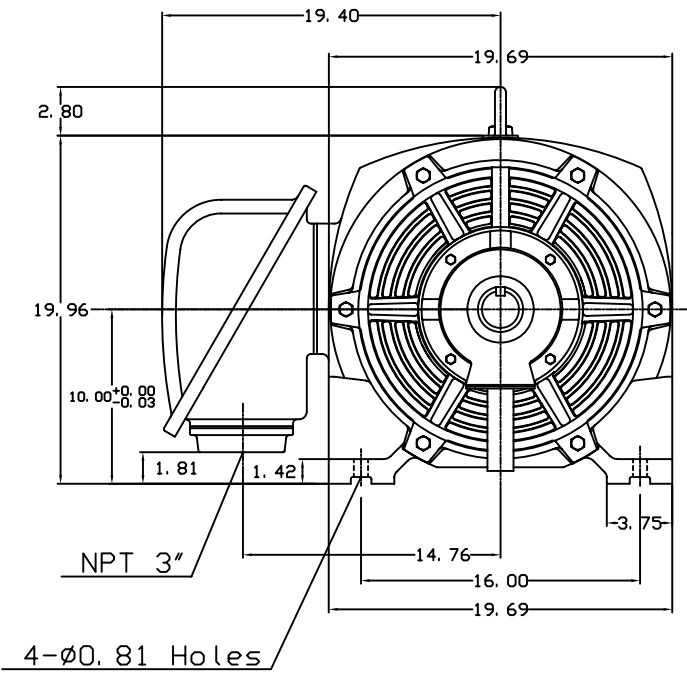
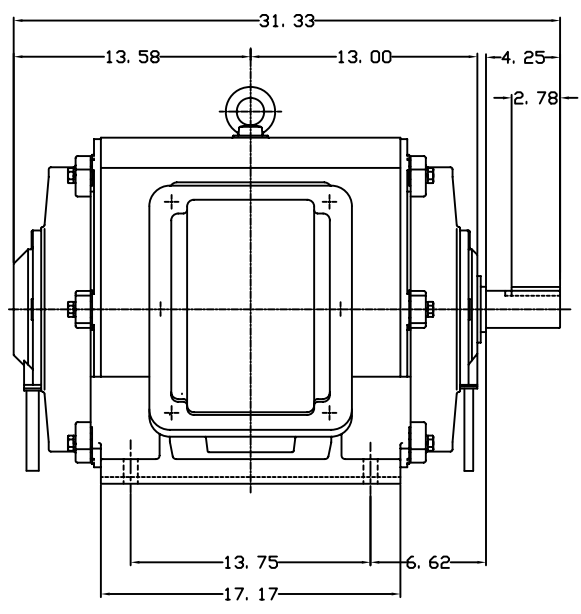
OUTLINE DIMENSIONS
3-PHASE INDUCTION MOTOR

MOTOR TYPE:
ASHH
FRAME NO. 405TS

| Pole | HP | KW | Hz | VOLT | Syn. Speed RPM |
|------|-----|-----|----|------|-------------------|
| 2 | 150 | 112 | 60 | 575 | 3600 |

| Ins | Rating | Dimension in | Approx Weight | Bearings |
|-----|--------|--------------|---------------|------------------------|
| F | CONT. | inch | 981 lbs. | DE: 6313C3 NDE: 6313C3 |

Open Protected Drip-Proof Type. Squirrel-cage Rotor.



| | | |
|-------|-------------|----------|
| DWN. | J. H. LIANG | 12-22-98 |
| CHKD. | C. H. KAO | 06-10-99 |
| APPD. | Y. B. HUANG | 06-10-99 |



DWG NO.
31057H399000

TECO Westinghouse

| | | |
|------------------------------------|--------------------------------|-----------------------------|
| ISSUED February 19, 2007 | PERFORMANCE DATA | ENCLOSURE ODP |
| TYPE ASHH | 3-PHASE INDUCTION MOTOR | CATALOG# DHP15025 |

NAMEPLATE INFORMATION

| OUTPUT | | POLE | FRAME SIZE | VOLTAGE | HZ | RATED AMBIENT | INS. CLASS | NEMA DESIGN | TIME RATING | SERVICE FACTOR |
|------------|--------------|----------|--------------|------------|-----------|---------------|------------|-------------|--------------|----------------|
| HP | KW | | | | | | | | | |
| 150 | 111.9 | 2 | 405TS | 575 | 60 | 40°C | F | B | CONT. | 1.15 |

TYPICAL PERFORMANCE

| FULL LOAD RPM | EFFICIENCY | | | | POWER FACTOR | | | MAXIMUM POWER FACTOR CORRECTION |
|---------------|-------------|-------------|-------------|-------------|--------------|------------|-------------|---------------------------------|
| | FULL LOAD | | 3/4 LOAD % | 1/2 LOAD % | F. L. % | 3/4 LOAD % | 1/2 LOAD % | |
| | MIN. % | NOM. % | | | | | | |
| 3560 | 93.6 | 94.5 | 94.5 | 94.5 | 90.5 | 89 | 83.5 | 27.0 KVAR |

CURRENTS

| NO LOAD | | FULL LOAD | | | LOCKED ROTOR | | | NEMA KVA CODE LETTER |
|--------------|--|-------------|---------------|--|--------------|---------------|----------|----------------------|
| AT 575 VOLT | | AT 575 VOLT | | | AT 575 VOLT | | | |
| 27.60 | | | 131.00 | | | 868.00 | G | |

TORQUE

INERTIA

ACCEL TIME

| FULL LOAD lb-ft | LOCKED ROTOR %FLT | PULL UP %FLT | BREAK DOWN %FLT | ROTOR WR ² lb-ft ² | NEMA LOAD WK ² lb-ft ² | MAX ALLOWABLE WK ² lb-ft ² | NEMA LOAD WK ² Sec | MAX ALLOWABLE WK ² Sec |
|-----------------|-------------------|--------------|-----------------|--|--|--|-------------------------------|-----------------------------------|
| 221.2 | 140 | 120 | 250 | 9.976 | 133 | 155 | 3.97 | 4.58 |

SAFE STALL TIME IN SECONDS

ALLOWABLE STARTS PER HOUR

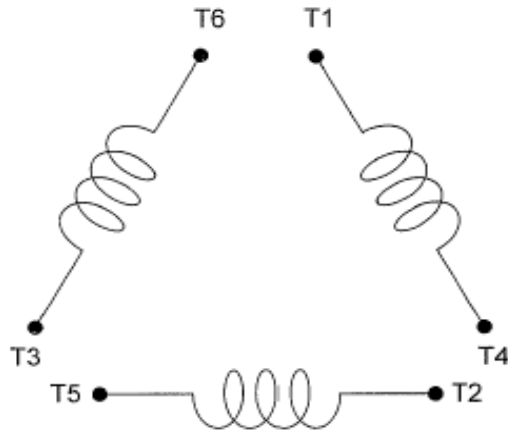
SOUND PRESSURE LEVEL @ 3 FT dB(A)

| COLD | HOT | COLD | HOT | 84 |
|-----------|-----------|----------|----------|----|
| 17 | 12 | 2 | 1 | |

| | | | | | |
|-----------|------------------|-------------|----------------------|----------|----------|
| APPROVED: | M. PRATER | DRAWING NO. | 31057DHP15025 | REVISION | 0 |
|-----------|------------------|-------------|----------------------|----------|----------|

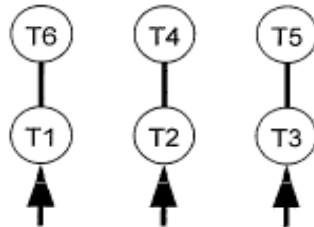
DATE:
February 16, 2007

CONNECTION DIAGRAM



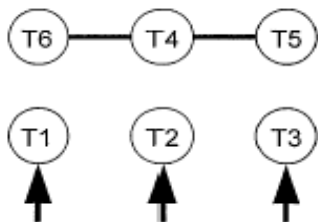
SCHEMATIC - Δ / Y CONNECTION

ACROSS THE LINE CONNECTION

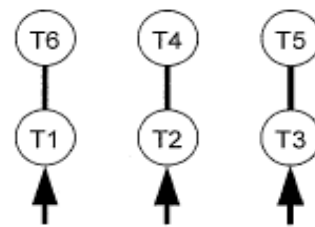


460 VOLT CONNECTION

WYE START-DELTA RUN CONNECTION



**LINE
460 VOLT START**



**LINE
460 VOLT RUN**