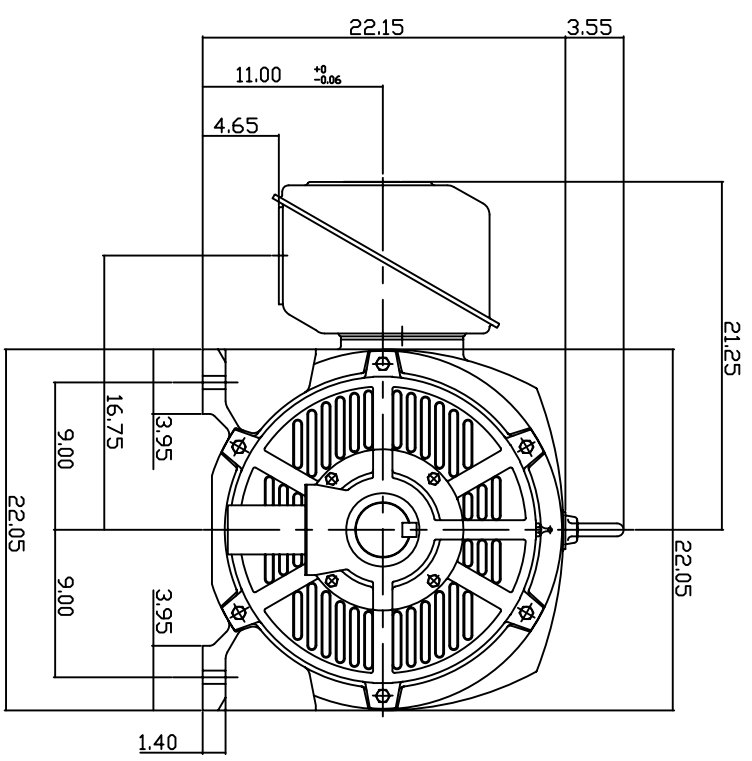
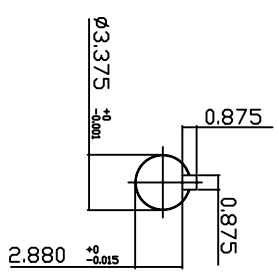
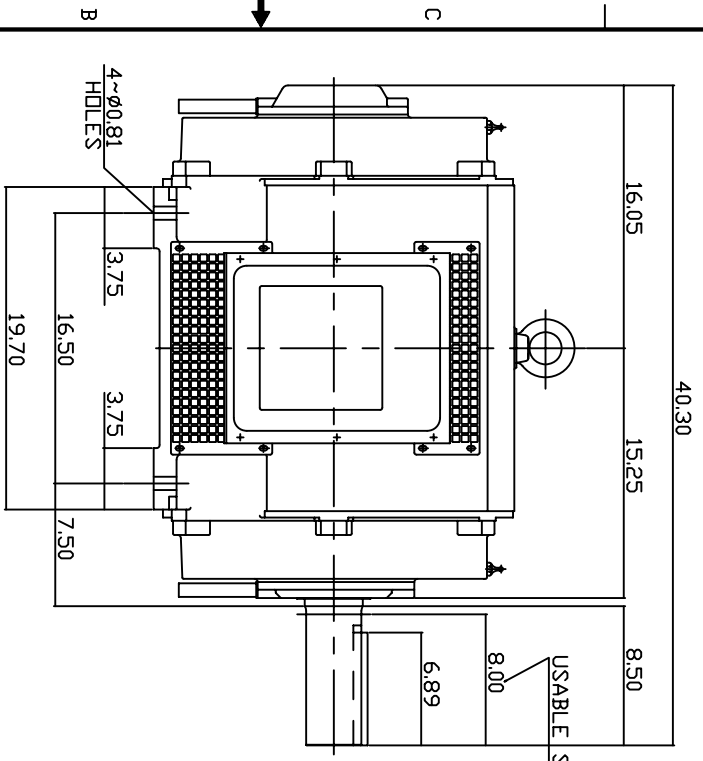


TYPE	OUTPUT		POLE	TIME RATING CNT.	VOLTAGE V	Hz	SYN SPEED R.P.M
	HP.	KW.					
ASHH	200	149.2	4		460	60	1800

DRIP PROOF TYPE, SQUIRREL-CAGE ROTOR



NOTE:

1. DIMENSIONS IN INCH.
2. FRAME ND445T
3. F CLASS INSULATION, S.F.115
4. FOR BELT DRIVE
5. BEARING SIZE: DRIVE END: NU318
NON-DRIVE END: 6316
6. MOTOR APPROX. WEIGHT: 1430LBS

TB-565SC

DWN.	V.L.LIN	MAR-26-2003
CHKD.	W.L.LIN	MAR-26-2003
APPD.	C.VANG	MAR-26-2003

DATE May 14, 2007
 Cat. #: DHP2004R
 OUTLINE DIMENSIONS
 3-PHASE INDUCTION MOTOR

TECO Westinghouse
 Dwg No. 3A040T261
 REV: 00

TECO Westinghouse

ISSUED 05/07/07	PERFORMANCE DATA	ENCLOSURE ODP
TYPE ASHH	3-PHASE INDUCTION MOTOR	CATALOG# DHP2004R

NAMEPLATE INFORMATION

OUTPUT		POLE	FRAME SIZE	VOLTAGE	HZ	RATED AMBIENT	INS. CLASS	NEMA DESIGN	TIME RATING	SERVICE FACTOR
HP	KW									
200	149	4	445T	460	60	40°C	F	B	CONT.	1.15

TYPICAL PERFORMANCE

FULL LOAD RPM	EFFICIENCY				POWER FACTOR			MAXIMUM POWER FACTOR CORRECTION
	FULL LOAD		3/4 LOAD	1/2 LOAD	F. L.	3/4 LOAD	1/2 LOAD	
	MIN. %	NOM. %	%	%	%	%	%	
1780	95.0	95.8	95.4	94.5	86.5	83.0	80.0	60 KVAR

CURRENTS

NO LOAD	FULL LOAD	LOCKED ROTOR	NEMA KVA CODE LETTER
75.5	226	1450	G

TORQUE

INERTIA

ACCEL TIME

FULL LOAD lb-ft	LOCKED ROTOR %FLT	PULL UP %FLT	BREAK DOWN %FLT	ROTOR WR ² lb-ft ²	NEMA LOAD WK ² lb-ft ²	MAX ALLOWABLE WK ² lb-ft ²	NEMA LOAD WK ² Sec	MAX ALLOWABLE WK ² Sec
590	125	105	205	57	831	1662	5.41	10.47

SAFE STALL TIME IN SECONDS

ALLOWABLE STARTS PER HOUR

SOUND PRESSURE LEVEL @ 3 FT dB(A)

COLD	HOT	COLD	HOT	80
18	13	2	1	

APPROVED:

M. PRATER

DRAWING NO.

3A057DHP2004R

REVISION **0**

DATE:
February 16, 2007

CONNECTION DIAGRAM



SCHEMATIC - Δ / Y CONNECTION

ACROSS THE LINE CONNECTION

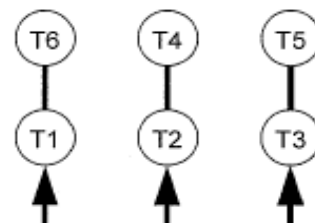


460 VOLT CONNECTION

WYE START-DELTA RUN CONNECTION



**LINE
460 VOLT START**



**LINE
460 VOLT RUN**