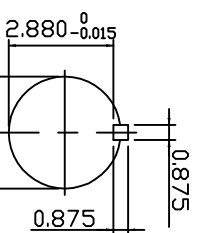
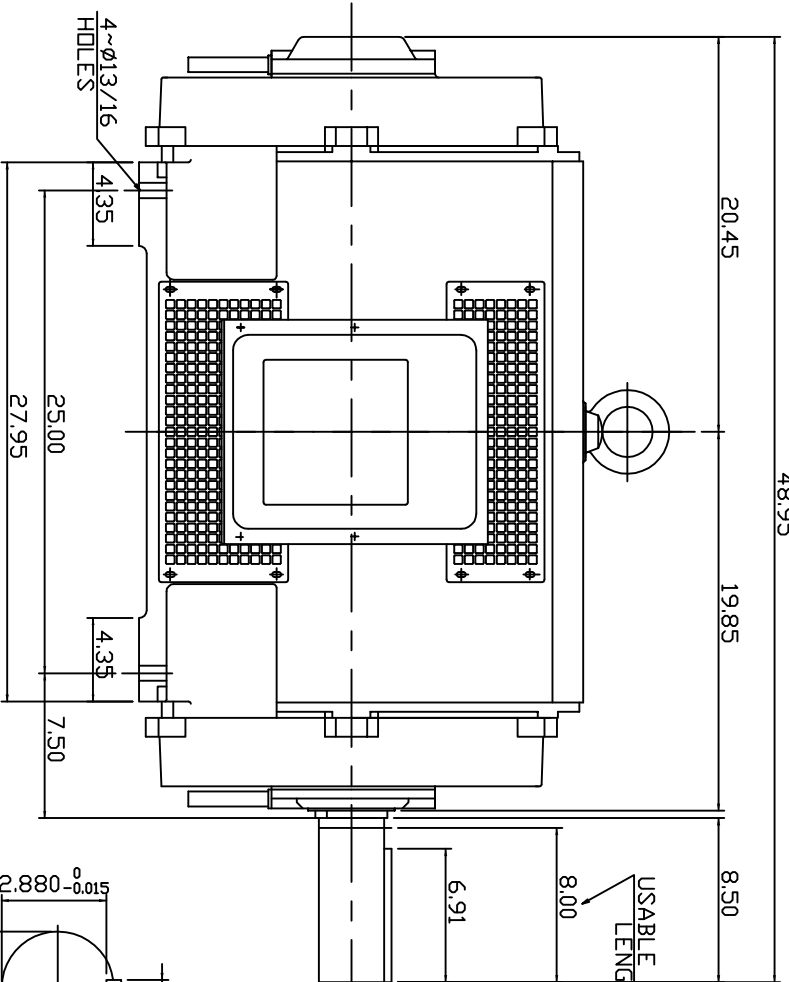
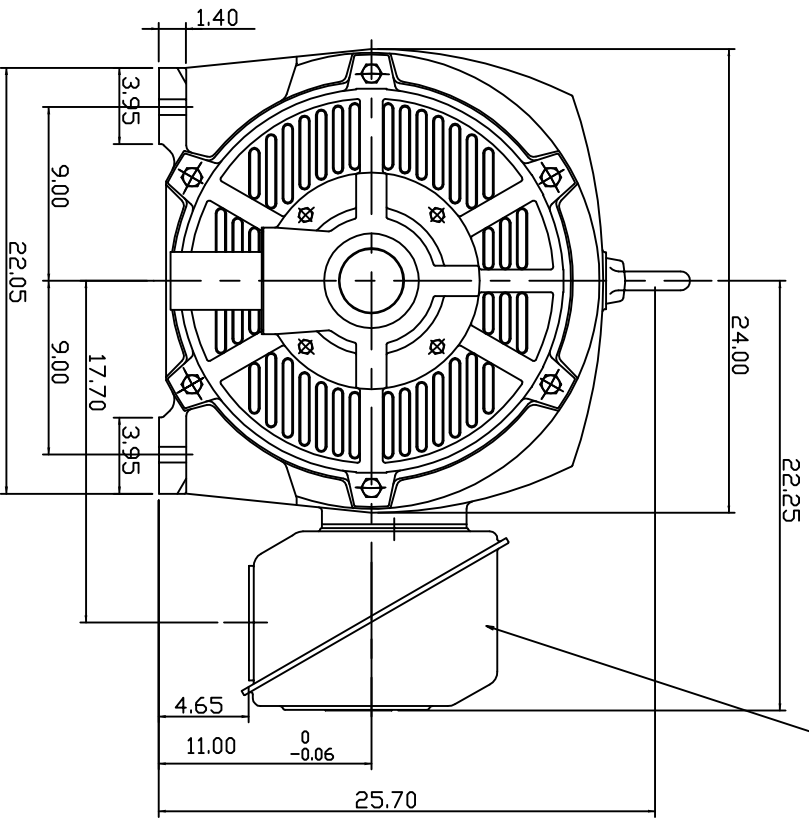


TYPE	OUTPUT		POLE	TIME RATING	VOLTAGE V	Hz	SYN SPEED R.P.M
	HP.	KW.					
ASHH	400	298.4	4	CDNT.	460	60	1800

DRIP PROOF TYPE, SQUIRREL-CAGE ROTOR

PRIMARY T-BOX



SHAFT END  
[ENLARGE VIEW]

- NOTE:  
 1. DIMENSIONS IN INCH  
 2. FRAME NO. 449T  
 3. F CLASS INSULATION  
 4. FOR DIRECT FLEXIBLE COUPLING  
 5. ENCLOSURE: IP22  
 6. BEARING SIZE: DPP, DRIVE END 6320  
 7. MOTOR APPROX. WEIGHT: 2445 LBS

TB-56SC

DWN.	HCHEN	JUL - 05 - 2010
CHKD.	W.V'ENG	JUL - 05 - 2010
APPD.	T.HSIAD	JUL - 05 - 2010

DATE	JULY 9, 2010	OUTLINE DIMENSIONS
CATALOG NO.	DHP4004	3-PHASE INDUCTION MOTOR

TEC Westinghouse  
 DWG NO. 3A049DTA0013-8  
 REV: 00

# TECO Westinghouse

ISSUED <b>07/09/10</b>	<b>PERFORMANCE DATA</b>	ENCLOSURE <b>ODP</b>
TYPE <b>ASHH</b>	<b>3-PHASE INDUCTION MOTOR</b>	CATALOG# <b>DHP4004</b>

### NAMEPLATE INFORMATION

OUTPUT		POLE	FRAME SIZE	VOLTAGE	HZ	RATED AMBIENT	INS. CLASS	NEMA DESIGN	TIME RATING	SERVICE FACTOR
HP	KW									
<b>400</b>	<b>298</b>	<b>4</b>	<b>449T</b>	<b>460</b>	<b>60</b>	<b>40°C</b>	<b>F</b>	<b>B</b>	<b>CONT.</b>	<b>1.15</b>

### TYPICAL PERFORMANCE

FULL LOAD RPM	EFFICIENCY				POWER FACTOR			MAXIMUM POWER FACTOR CORRECTION
	FULL LOAD		3/4 LOAD %	1/2 LOAD %	F. L. %	3/4 LOAD %	1/2 LOAD %	
	MIN. %	NOM. %						
<b>1785</b>	<b>95.0</b>	<b>95.8</b>	<b>95.5</b>	<b>94.6</b>	<b>87.7</b>	<b>84.3</b>	<b>77.5</b>	<b>102 KVAR</b>

### CURRENTS

NO LOAD	FULL LOAD	LOCKED ROTOR	NEMA KVA CODE LETTER
<b>127.5</b>	<b>446</b>	<b>2900</b>	<b>G</b>

### TORQUE

### INERTIA

### ACCEL TIME

FULL LOAD lb-ft	LOCKED ROTOR %FLT	PULL UP %FLT	BREAK DOWN %FLT	ROTOR WR <sup>2</sup> lb-ft <sup>2</sup>	NEMA LOAD WK <sup>2</sup> lb-ft <sup>2</sup>	MAX ALLOWABLE WK <sup>2</sup> lb-ft <sup>2</sup>	NEMA LOAD WK <sup>2</sup> Sec	MAX ALLOWABLE WK <sup>2</sup> Sec
<b>1176</b>	<b>145</b>	<b>125</b>	<b>250</b>	<b>91</b>	<b>-</b>	<b>1546</b>	<b>-</b>	<b>4.25</b>

SAFE STALL TIME IN SECONDS

ALLOWABLE STARTS PER HOUR

SOUND PRESSURE LEVEL @ 3 FT dB(A)

COLD	HOT	COLD	HOT	82
<b>20</b>	<b>15</b>	<b>2</b>	<b>1</b>	

APPROVED:

**M. PRATER**

DRAWING NO.

**3A057DHP4004**

REVISION **0**

DATE:  
February 16, 2007

# CONNECTION DIAGRAM



**SCHEMATIC -  $\Delta$  / Y CONNECTION**

## ACROSS THE LINE CONNECTION



**460 VOLT CONNECTION**

## WYE START-DELTA RUN CONNECTION



**LINE  
460 VOLT START**



**LINE  
460 VOLT RUN**