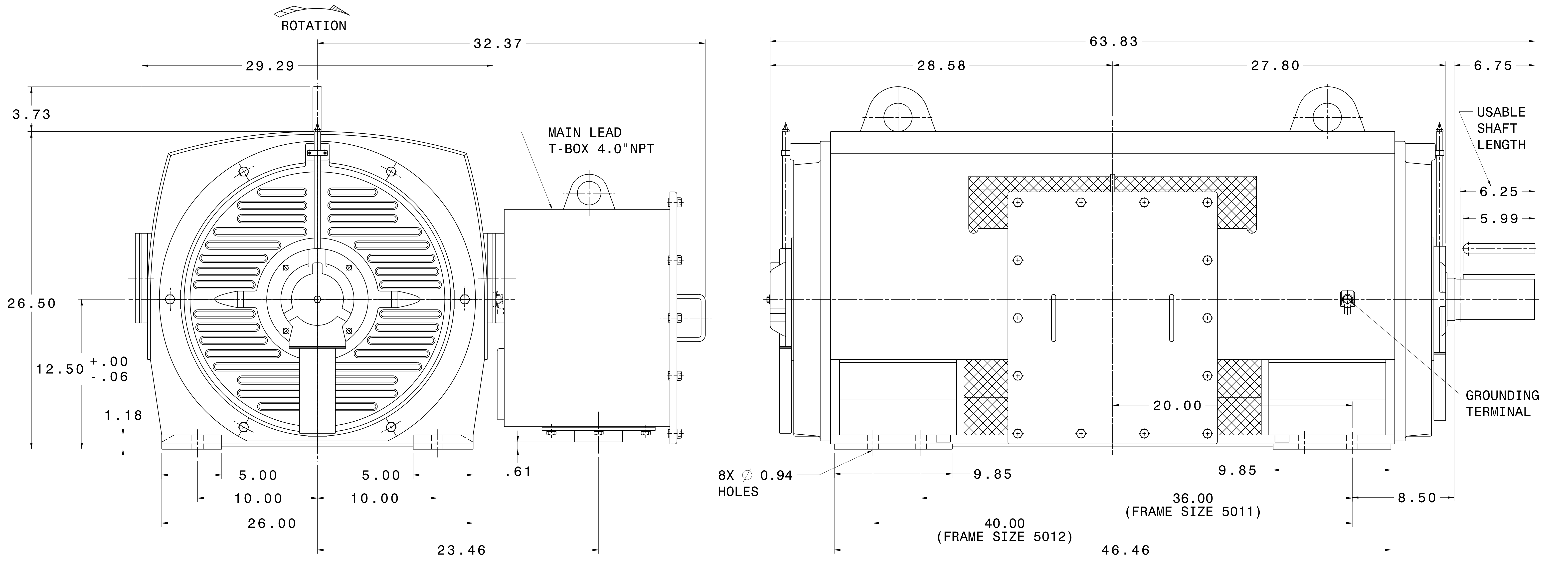


CATALOG #	TYPE	FRAME	OUTPUT		POLE	SYN. SPEED R.P.M.	VOLTAGE V.	Hz.	TIME RATING	INSULATION CLASS	SERVICE FACTOR	BEARINGS		WEIGHT LBS
			HP	KW								DE	NDE	
DHP8002	ASHH	5012A	800	596.5	2	3600	460	60	CONT.	F	1.15	6218C3	6315C3	3610

DRIP PROOF TYPE. SQUIRREL CAGE ROTOR



- NOTES:
1. DIMENSIONS IN INCH.
  2. ENCLOSURE: IP22.
  3. FOR DIRECT FLEXIBLE COUPLING.
  4. PROVISION FOR BEARING RTD MOUNTING: 2X .50" NPT PER BRACKET.

REF: 4B040T804	REV. DATA			REV NO	01
	TECO Westinghouse			DWG NO.	
	3-PHASE INDUCTION MOTOR			DHP8002	
	OUTLINE DIMENSIONS				
DWN K. MILNER		080917	APPD T. FELPS	080917	
TECO-WESTINGHOUSE MOTOR COMPANY			ROUND ROCK, TEXAS USA		

ISSUED NOV. 09 2016	<b>PERFORMANCE DATA</b> <b>3-PHASE HIGH EFFICIENCY INDUCTION MOTORS</b> <b>LOW VOLTAGE SQUIRREL CAGE</b>	MODEL <b>ASHH</b>
REVISED		460V 60Hz



DP, NEMA DESIGN B , CODE G, CLASS F, 40°C AMBIENT,  
CONTINUOUS DUTY, 1.15 S.F. 460V 60HZ

**TYPICAL PERFORMANCE (460V)**

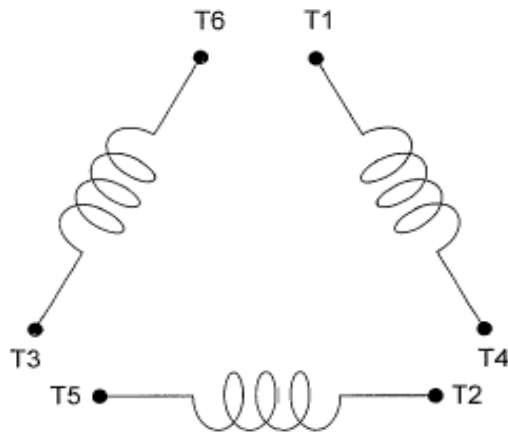
HP	FULL LOAD RPM	FRAME SIZE (SG)	EFFICIENCY (%)				POWER FACTOR			CURRENT		TORQUE				ROTOR WR <sup>2</sup> lb-ft <sup>2</sup>	NEMA DESIGN	APPROX. WEIGHT LBS
			FULL LOAD		3/4 LOAD	1/2 LOAD	FULL LOAD	3/4 LOAD	1/2 LOAD	FULL LOAD	LOCKED ROTOR	FULL LOAD	LOCKED ROTOR	PULL UP	BREAK- DOWN			
			NOM.	MIN.	NOM.	NOM.	%	%	%	A	A	lb-ft	%FLT	%FLT	%FLT			
350	1185	5009B	95.4	94.5	95.2	94.5	85.0	82.0	76.0	404	2550	1551	100	85	200	158	B	3725
400	1185	5009B	95.8	95.0	95.6	94.7	84.5	81.0	76.0	463	2900	1772	100	85	210	171	B	3845
450	1781	5009B	96.2	95.4	95.6	94.8	88.0	84.5	81.5	498	3250	1327	105	90	210	147	B	3630
	1186	5009B	96.2	95.4	95.5	95.0	84.0	81.0	72.5	521	3250	1992	105	90	215	185	B	3970
500	1781	5009B	96.2	95.4	95.8	95.0	88.0	85.0	82.0	553	3625	1474	110	95	210	165	B	3800
	1187	5009B	96.2	95.4	95.6	95.4	84.0	81.5	72.5	579	3625	2211	105	90	215	196	B	4085
600	3574	5011A	95.0	94.1	94.8	93.8	87.5	86.8	82.8	676	4744	882	95	80	210	53	-	3240
	1783	5011B	96.2	95.4	96.0	95.0	87.8	86.7	81.9	665	4744	1767	100	85	200	159	-	3650
	1185	5011B	95.8	95.0	95.6	94.6	82.6	79.4	70.8	710	4744	2659	100	85	200	226	-	4250
700	3576	5012A	95.0	94.1	94.8	93.8	88.3	87.7	83.9	781	5535	1028	100	85	210	63	-	3610
	1783	5011B	96.2	95.4	96.0	95.0	86.0	82.3	74.7	792	5535	2062	100	85	200	179	-	3870
	1188	5810B	95.8	95.0	95.6	94.6	82.6	79.6	71.1	828	5535	3094	100	85	200	467	-	6450
800	3572	5012A	95.0	94.1	94.8	93.8	87.9	88.3	85.6	897	6326	1176	85	70	200	63	-	3610
	1783	5012B	96.2	95.4	96.0	95.0	86.2	84.2	77.5	903	6326	2356	100	85	200	207	-	4210
	1188	5810B	95.8	95.0	95.6	94.6	82.5	79.2	70.3	948	6326	3537	100	85	210	507	-	6820

- NOTE : 1. THE ABOVE ARE TYPICAL VALUES BASED ON TEST ACCORDING TO ANSI/IEEE STANDARD 112 METHOD B AND METHOD E.
2. BREAKDOWN & LOCKED ROTOR TORQUES ARE SHOWN AS AVERAGE EXPECTED VALUES.
3. EFFICIENCY, POWER FACTOR, SPEED AND TORQUE ARE THE SAME FOR OTHER VOLTAGES. CURRENT VALUES VARY INVERSELY WITH VOLTAGE.
4. TOLERANCE ACCORDING TO NEMA MG-1-12 & IEC 34-1.
5. DATA SUBJECT TO CHANGE WITHOUT NOTICE
- 6 PREMIUM EFFICIENCY IS UP TO 500HP
- 7 ENERGY EFFICIENCY IS FROM 600HP TO 800HP

APPD.	B.LIN	NOV. 09 2016	<b>TECO Electric &amp; Machinery Co., Ltd.</b>	DWG NO.
CHKD.	M.Y.HSU	NOV. 09 2016		<b>3A057M108E</b>
DWN.	J.HSIAO	NOV. 09 2016		REV.00 <span style="float: right;">1/1</span>

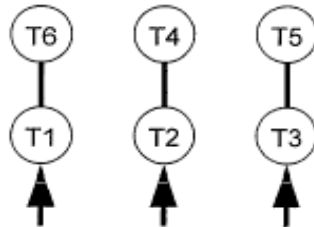
DATE:  
February 16, 2007

# CONNECTION DIAGRAM



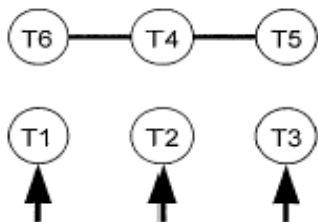
**SCHEMATIC - Δ / Y CONNECTION**

## ACROSS THE LINE CONNECTION

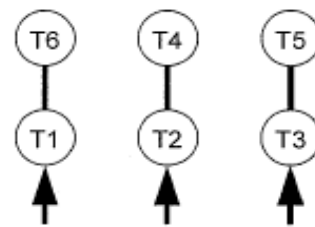


**460 VOLT CONNECTION**

## WYE START-DELTA RUN CONNECTION



**LINE  
460 VOLT START**



**LINE  
460 VOLT RUN**