

DATE
October 28, 2016
CATALOG NO.
DJMP0302

OUTLINE DIMENSIONS

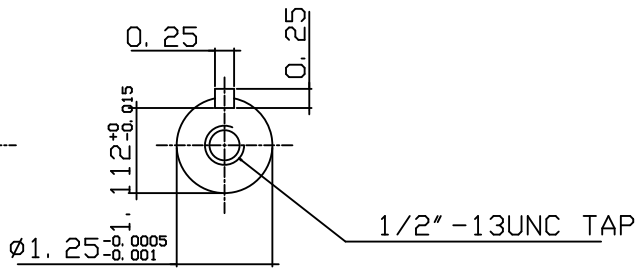
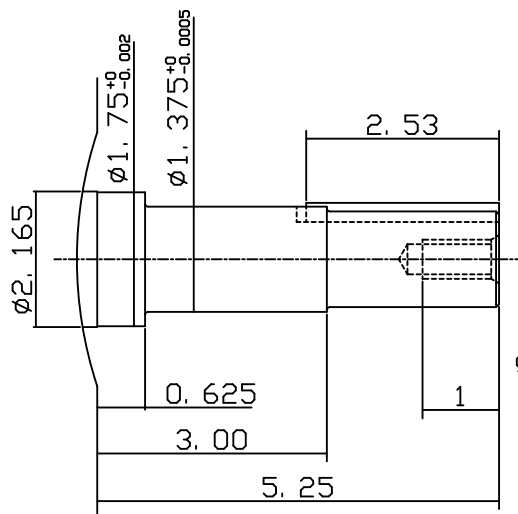
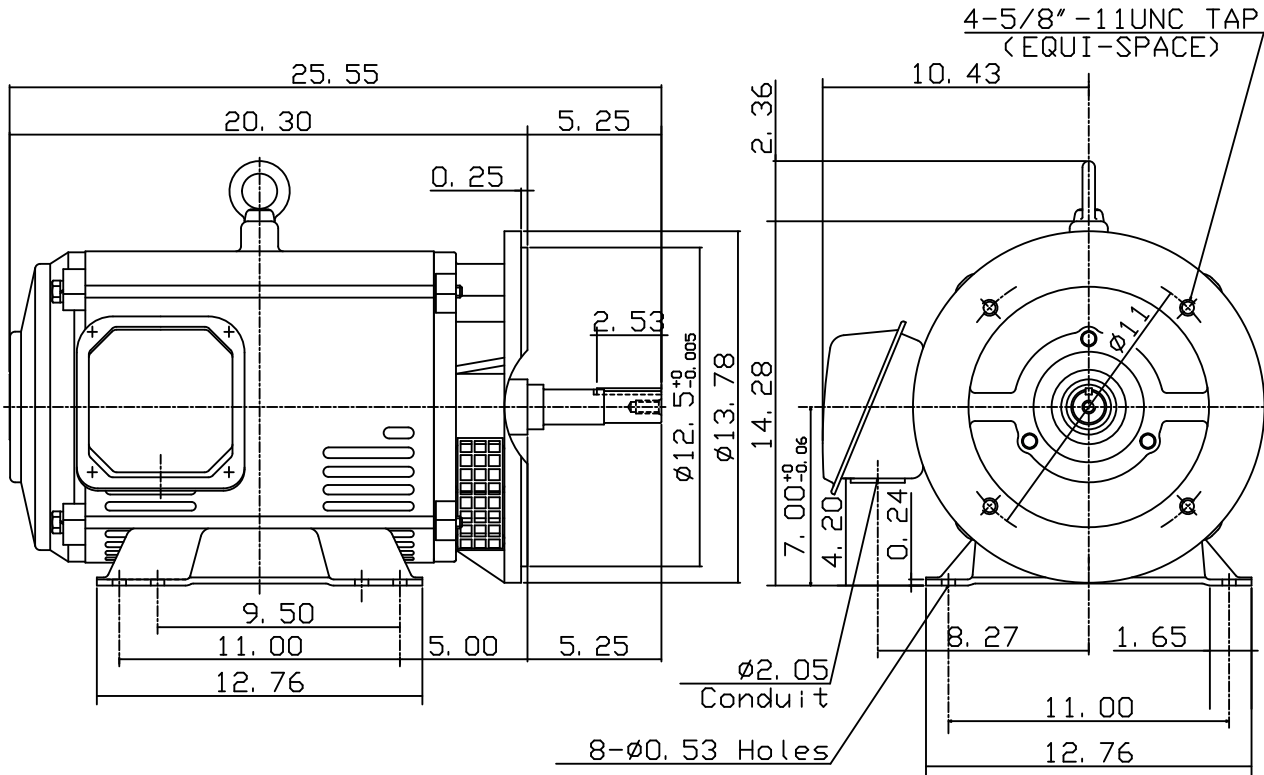
3-PHASE INDUCTION MOTOR

MOTOR TYPE:
ASGHJM
FRAME NO. 284JM

| Pole | HP | kW | Hz | VOLT | Syn. Speed r/min(rpm) |
|------|----|------|----|---------|--------------------------|
| 2 | 30 | 22.4 | 60 | 230/460 | 3600 |

| Ins | Rating | Dimension in | Approx Weight | Bearings |
|-----|--------|--------------|---------------|----------------------------|
| F | CONT. | inches | 294 lbs. | DE: 6311ZZC3 NDE: 6211ZZC3 |

Open Protected Drip-Proof Type, Squirrel-cage Rotor.



| | | |
|-------|-------------|----------|
| DWN. | J. T. HWANG | 04-11-03 |
| CHKD. | J. S. JEAN | 04-11-03 |
| APPD. | Y. B. HUANG | 04-11-03 |



DWG NO.
31049U529530

TECO Westinghouse

| | | |
|-----------------------------|--------------------------------|-----------------------------|
| ISSUED 10/28/2016 | PERFORMANCE DATA | ENCLOSURE ODP |
| TYPE ASGHJM | 3-PHASE INDUCTION MOTOR | CATALOG# DJMP0302 |

NAMEPLATE INFORMATION

| OUTPUT | | POLE | FRAME SIZE | VOLTS | HZ | RATED AMBIENT | INS. CLASS | NEMA DESIGN | TIME RATING | SERVICE FACTOR |
|-----------|--------------|----------|--------------|----------------|-----------|---------------|------------|-------------|--------------|----------------|
| HP | KW | | | | | | | | | |
| 30 | 22.38 | 2 | 284TS | 230/460 | 60 | 40°C | F | B | CONT. | 1.15 |

TYPICAL PERFORMANCE

| FULL LOAD RPM | EFFICIENCY | | | | POWER FACTOR | | | MAXIMUM POWER FACTOR CORRECTION |
|---------------|-------------|-------------|-------------|-------------|--------------|-------------|-------------|---------------------------------|
| | FULL LOAD | | 3/4 LOAD % | 1/2 LOAD % | FULL LOAD % | 3/4 LOAD % | 1/2 LOAD % | |
| | MIN% | NOM% | | | | | | |
| 3540 | 91.0 | 92.4 | 93.0 | 93.0 | 90.0 | 88.0 | 83.0 | 5.42 KVAR |

CURRENTS

| NO LOAD | | | | FULL LOAD | | | | LOCKED ROTOR | | | | NEMA KVA CODE LETTER |
|-------------|-------------|-------------|------------|-------------|-------------|-------------|-------------|--------------|--------------|--------------|--------------|----------------------|
| AT | AT | AT | AT | AT | AT | AT | AT | AT | AT | AT | AT | |
| 200 VOLT | 208 VOLT | 230 VOLT | 460 VOLT | 200 VOLT | 208 VOLT | 230 VOLT | 460 VOLT | 200 VOLT | 208 VOLT | 230 VOLT | 460 VOLT | |
| 12.1 | 13.1 | 16.0 | 8.0 | 77.7 | 74.8 | 67.6 | 33.8 | 379.1 | 394.3 | 436.0 | 218.0 | G |

TORQUE

INERTIA

ACCEL TIME

| FULL LOAD lb-ft | LOCKED ROTOR %FLT | PULL UP %FLT | BREAK DOWN %FLT | ROTOR WR ² lb-ft ² | NEMA LOAD WK ² lb-ft ² | MAX ALLOWABLE WK ² lb-ft ² | NEMA LOAD WK ² Sec. | MAX ALLOWABLE WK ² Sec. |
|-----------------|-------------------|--------------|-----------------|--|--|--|--------------------------------|------------------------------------|
| 44.50 | 180 | 135 | 220 | 1.588 | 31 | 93 | 4.51 | 13.09 |

| SAFE STALL TIME IN SECONDS | | ALLOWABLE STARTS PER HOUR | | SOUND PRESSURE LEVEL @ 3 FT dB(A) |
|----------------------------|-----------|---------------------------|----------|-----------------------------------|
| COLD | HOT | COLD | HOT | |
| 17 | 12 | 2 | 1 | 75 |

| | | | | |
|-----------|------------------|-------------|----------------------|---------------|
| APPROVED: | M. PRATER | DRAWING NO. | 31057DJMP0302 | REV. 0 |
|-----------|------------------|-------------|----------------------|---------------|

DATE:
June 28, 2005

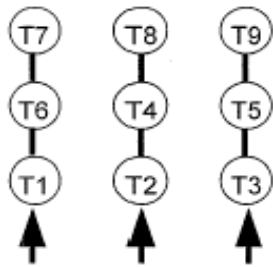
CONNECTION DIAGRAM

CATALOG NO.:
DJMP0302



SCHEMATIC - 2Δ / Δ CONNECTION

ACROSS THE LINE CONNECTION



**LINE
230 VOLT CONNECTION**



**LINE
460 VOLT CONNECTION**