

DATE  
October 28, 2016  
CATALOG NO.  
DJMP1/52

# OUTLINE DIMENSIONS

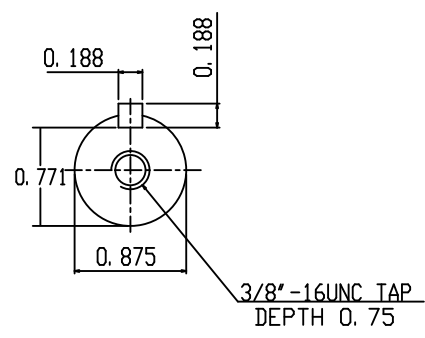
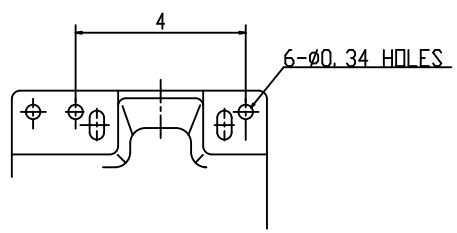
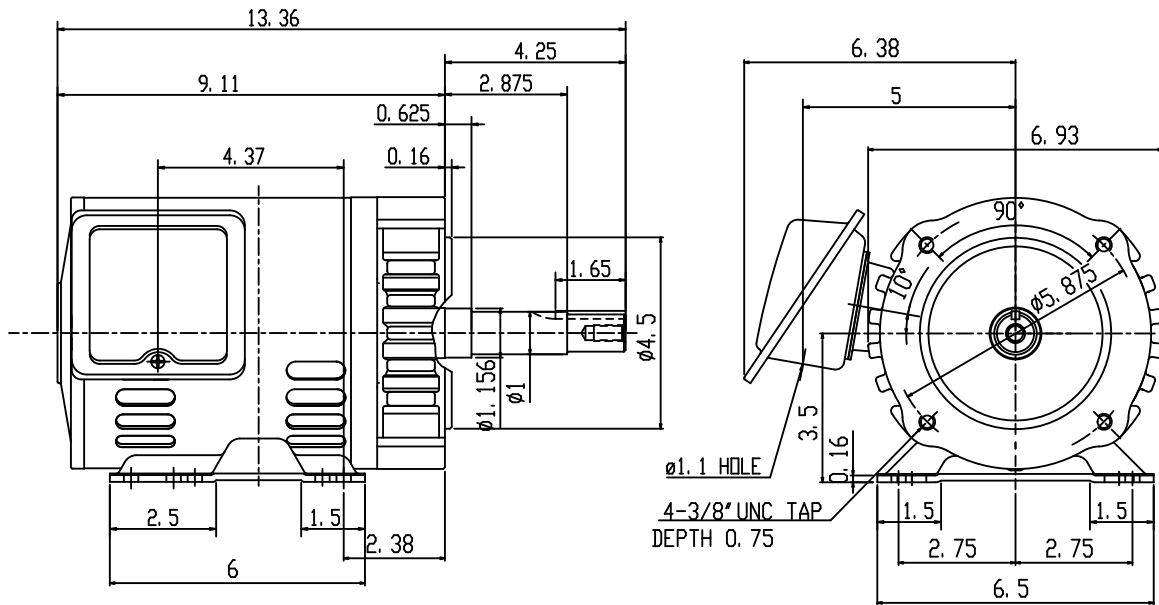
## 3-PHASE INDUCTION MOTOR

MODEL TYPE:  
ASGHJM  
FRAME NO. 143JM

Pole	HP	kW	Hz	VOLT	Syn. Speed r/min(rpm)
2	1.5	1	60	230/460	3600

Ins	Rating	Dimension in	Approx Weight	Bearings
F	CONT.	inches	34.4 lbs.	DE: 6206ZZ NDE: 6204ZZ

Open Protected Drip-Proof Squirrel Cage Rotor.



DWN. J. T. HWANG 04-11-03  
CHKD. J. S. JEAN 04-11-03  
APPD. Y. B. HUANG 04-11-03



DWG NO.  
31049Z105997

# TECO Westinghouse

ISSUED <b>10/28/2016</b>	<b>PERFORMANCE DATA</b>	ENCLOSURE <b>ODP</b>
TYPE <b>ASGHJM</b>	<b>3-PHASE INDUCTION MOTOR</b>	CATALOG# <b>DJMP1/52</b>

### NAMEPLATE INFORMATION

OUTPUT		POLE	FRAME SIZE	VOLTS	HZ	RATED AMBIENT	INS. CLASS	NEMA DESIGN	TIME RATING	SERVICE FACTOR
HP	KW									
<b>1.5</b>	<b>1.12</b>	<b>2</b>	<b>143JM</b>	<b>230/460</b>	<b>60</b>	<b>40°C</b>	<b>F</b>	<b>B</b>	<b>CONT.</b>	<b>1.15</b>

### TYPICAL PERFORMANCE

FULL LOAD RPM	EFFICIENCY				POWER FACTOR			MAXIMUM POWER FACTOR CORRECTION
	FULL LOAD		3/4 LOAD %	1/2 LOAD %	FULL LOAD %	3/4 LOAD %	1/2 LOAD %	
	MIN%	NOM%						
<b>3510</b>	<b>81.5</b>	<b>85.5</b>	<b>85.5</b>	<b>83.0</b>	<b>83.0</b>	<b>76.5</b>	<b>64.0</b>	<b>0.61 KVAR</b>

### CURRENTS

NO LOAD				FULL LOAD				LOCKED ROTOR				NEMA KVA CODE LETTER
AT	AT	AT	AT	AT	AT	AT	AT	AT	AT	AT	AT	
200 VOLT	208 VOLT	230 VOLT	460 VOLT	200 VOLT	208 VOLT	230 VOLT	460 VOLT	200 VOLT	208 VOLT	230 VOLT	460 VOLT	
<b>1.44</b>	<b>1.55</b>	<b>1.90</b>	<b>0.95</b>	<b>4.55</b>	<b>4.38</b>	<b>3.96</b>	<b>1.98</b>	<b>34.8</b>	<b>36.2</b>	<b>40.0</b>	<b>20.0</b>	<b>M</b>

### TORQUE

### INERTIA

### ACCEL TIME

FULL LOAD lb-ft	LOCKED ROTOR %FLT	PULL UP %FLT	BREAK DOWN %FLT	ROTOR WR <sup>2</sup> lb-ft <sup>2</sup>	NEMA LOAD WK <sup>2</sup> lb-ft <sup>2</sup>	MAX ALLOWABLE WK <sup>2</sup> lb-ft <sup>2</sup>	NEMA LOAD WK <sup>2</sup> Sec.	MAX ALLOWABLE WK <sup>2</sup> Sec.
<b>2.24</b>	<b>400</b>	<b>310</b>	<b>450</b>	<b>0.059</b>	<b>1.8</b>	<b>4.6</b>	<b>2.52</b>	<b>6.32</b>

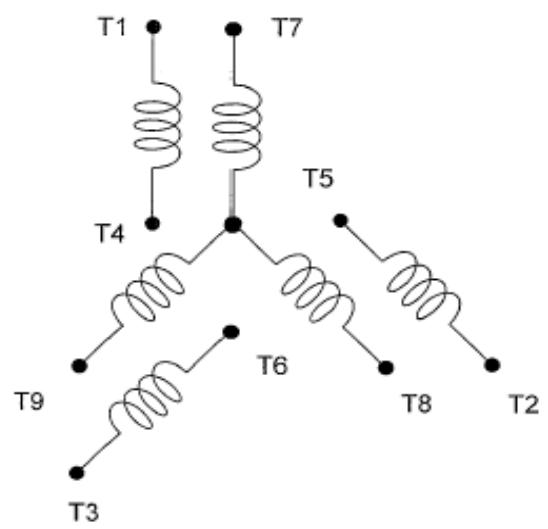
SAFE STALL TIME IN SECONDS		ALLOWABLE STARTS PER HOUR		SOUND PRESSURE LEVEL @ 3 FT dB(A)
COLD	HOT	COLD	HOT	
<b>18</b>	<b>13</b>	<b>2</b>	<b>1</b>	<b>60</b>

APPROVED:	<b>M. PRATER</b>	DRAWING NO.	<b>31057DJMP1/52</b>	REV. <b>0</b>
-----------	------------------	-------------	----------------------	---------------

DATE:  
June 17, 2005

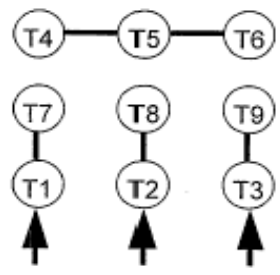
# CONNECTION DIAGRAM

CATALOG NO.:  
DJMP1/52

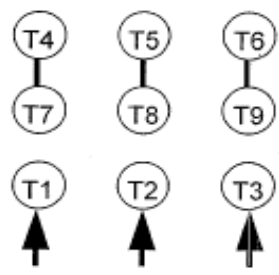


**SCHEMATIC - 2Y/Y CONNECTION**

## ACROSS THE LINE CONNECTION



**LINE  
230 VOLT CONNECTION**



**LINE  
460 VOLT CONNECTION**