

DATE  
October 28, 2016

CATALOG NO.  
DJPP0014

# OUTLINE DIMENSIONS

## 3-PHASE INDUCTION MOTOR

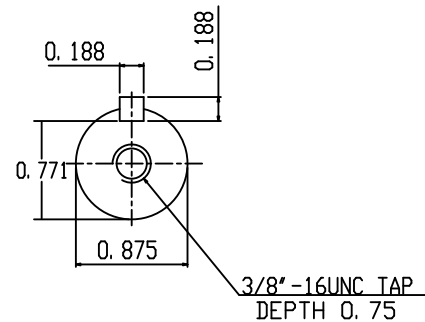
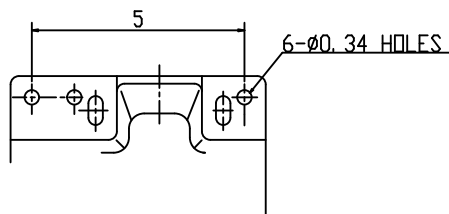
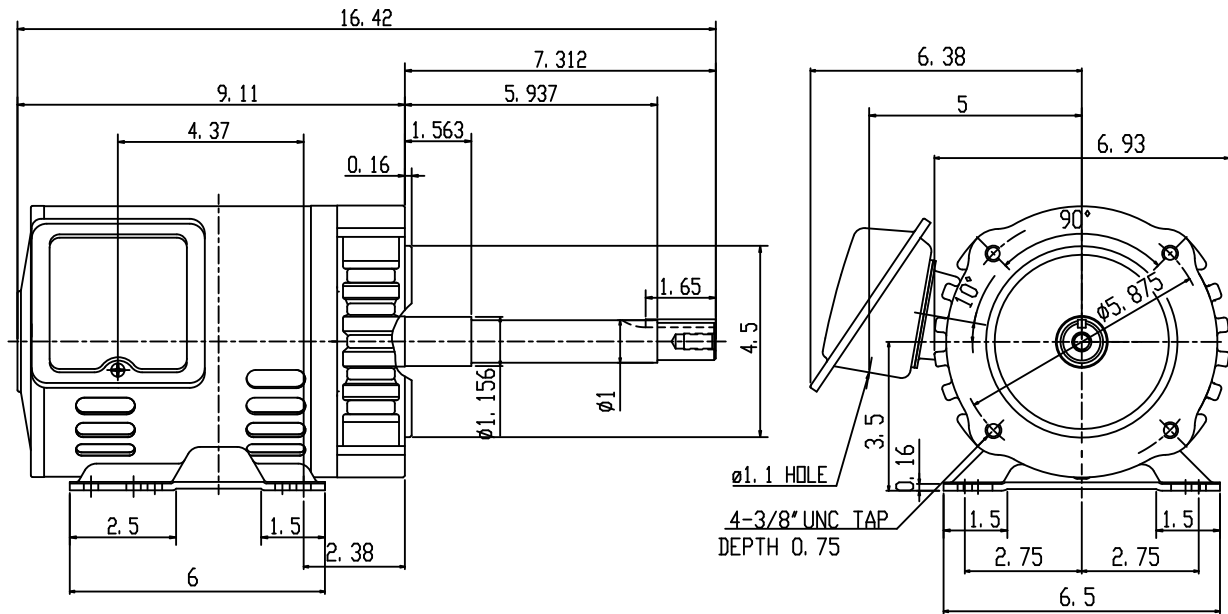
MODEL TYPE:  
ASGHJP

FRAME NO. 143JP

| Pole | HP | kW  | Hz | VOLT    | Syn. Speed<br>r/min(rpm) |
|------|----|-----|----|---------|--------------------------|
| 4    | 1  | .75 | 60 | 230/460 | 1800                     |

| Ins | Rating | Dimension in | Approx Weight | Bearings               |
|-----|--------|--------------|---------------|------------------------|
| F   | CONT.  | inches       | 35.6 lbs.     | DE: 6206ZZ NDE: 6204ZZ |

Open Protected Drip-Proof Squirrel Cage Rotor.



DWN. J. T. HWANG 04-11-03

CHKD. J. S. JEAN 04-11-03

APPD. Y. B. HUANG 04-11-03



DWG NO.  
31049Z105  
1071

# TECO Westinghouse

|                             |                                |                             |
|-----------------------------|--------------------------------|-----------------------------|
| ISSUED<br><b>10/28/2016</b> | <b>PERFORMANCE DATA</b>        | ENCLOSURE<br><b>ODP</b>     |
| TYPE<br><b>ASGHJP</b>       | <b>3-PHASE INDUCTION MOTOR</b> | CATALOG#<br><b>DJPP0014</b> |

### NAMEPLATE INFORMATION

| OUTPUT   |             | POLE     | FRAME SIZE  | VOLTS          | HZ        | RATED AMBIENT | INS. CLASS | NEMA DESIGN | TIME RATING  | SERVICE FACTOR |
|----------|-------------|----------|-------------|----------------|-----------|---------------|------------|-------------|--------------|----------------|
| HP       | KW          |          |             |                |           |               |            |             |              |                |
| <b>1</b> | <b>0.75</b> | <b>4</b> | <b>143T</b> | <b>230/460</b> | <b>60</b> | <b>40°C</b>   | <b>F</b>   | <b>B</b>    | <b>CONT.</b> | <b>1.15</b>    |

### TYPICAL PERFORMANCE

| FULL LOAD RPM | EFFICIENCY  |             |             |             | POWER FACTOR |             |             | MAXIMUM POWER FACTOR CORRECTION |
|---------------|-------------|-------------|-------------|-------------|--------------|-------------|-------------|---------------------------------|
|               | FULL LOAD   |             | 3/4 LOAD %  | 1/2 LOAD %  | FULL LOAD %  | 3/4 LOAD %  | 1/2 LOAD %  |                                 |
|               | MIN%        | NOM%        |             |             |              |             |             |                                 |
| <b>1750</b>   | <b>82.5</b> | <b>85.5</b> | <b>85.0</b> | <b>82.0</b> | <b>75.5</b>  | <b>67.0</b> | <b>54.0</b> | <b>0.61 KVAR</b>                |

### CURRENTS

| NO LOAD     |             |             |             | FULL LOAD   |             |             |             | LOCKED ROTOR |             |             |             | NEMA KVA CODE LETTER |
|-------------|-------------|-------------|-------------|-------------|-------------|-------------|-------------|--------------|-------------|-------------|-------------|----------------------|
| AT          | AT          | AT          | AT          | AT          | AT          | AT          | AT          | AT           | AT          | AT          | AT          |                      |
| 200 VOLT    | 208 VOLT    | 230 VOLT    | 460 VOLT    | 200 VOLT    | 208 VOLT    | 230 VOLT    | 460 VOLT    | 200 VOLT     | 208 VOLT    | 230 VOLT    | 460 VOLT    |                      |
| <b>1.36</b> | <b>1.47</b> | <b>1.80</b> | <b>0.90</b> | <b>3.34</b> | <b>3.21</b> | <b>2.90</b> | <b>1.45</b> | <b>26.1</b>  | <b>27.1</b> | <b>30.0</b> | <b>15.0</b> | <b>N</b>             |

### TORQUE

### INERTIA

### ACCEL TIME

| FULL LOAD lb-ft | LOCKED ROTOR %FLT | PULL UP %FLT | BREAK DOWN %FLT | ROTOR WR <sup>2</sup> lb-ft <sup>2</sup> | NEMA LOAD WK <sup>2</sup> lb-ft <sup>2</sup> | MAX ALLOWABLE WK <sup>2</sup> lb-ft <sup>2</sup> | NEMA LOAD WK <sup>2</sup> Sec. | MAX ALLOWABLE WK <sup>2</sup> Sec. |
|-----------------|-------------------|--------------|-----------------|--|--|--|--------------------------------|------------------------------------|
| <b>3.00</b>     | <b>365</b>        | <b>310</b>   | <b>410</b>      | <b>0.1</b>                               | <b>5.8</b>                                   | <b>17.4</b>                                      | <b>3.25</b>                    | <b>9.65</b>                        |

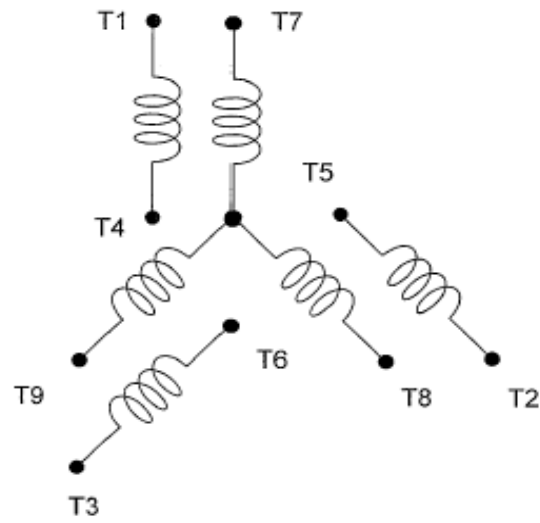
| SAFE STALL TIME IN SECONDS |           | ALLOWABLE STARTS PER HOUR |          | SOUND PRESSURE LEVEL @ 3 FT dB(A) |
|----------------------------|-----------|---------------------------|----------|-----------------------------------|
| COLD                       | HOT       | COLD                      | HOT      |                                   |
| <b>44</b>                  | <b>31</b> | <b>2</b>                  | <b>1</b> | <b>52</b>                         |

|           |                  |             |                      |               |
|-----------|------------------|-------------|----------------------|---------------|
| APPROVED: | <b>M. PRATER</b> | DRAWING NO. | <b>31057DJPP0014</b> | REV. <b>0</b> |
|-----------|------------------|-------------|----------------------|---------------|

DATE:  
June 17, 2005

# CONNECTION DIAGRAM

CATALOG NO.:  
DJPP0014



**SCHEMATIC - 2Y/Y CONNECTION**

## ACROSS THE LINE CONNECTION



**LINE  
230 VOLT CONNECTION**



**LINE  
460 VOLT CONNECTION**