

**BALDOR® • RELIANCE** 

**Product Information Packet**

**DM3542**

**.75HP, 1725RPM, 3PH, 60HZ, 56, 3428M, TEFC, F1**

Part Detail							
Revision:	L	Status:	PRD/A	Change #:		Proprietary:	No
Type:	AC	Elec. Spec:	34WGR422	CD Diagram:	CD0005	Mfg Plant:	
Mech. Spec:	34M812	Layout:	34LYM812	Poles:	04	Created Date:	07-25-2016
Base:	RG	Eff. Date:	06-24-2021	Leads:	9#18		

Specs			
Catalog Number:	DM3542	Insulation Class:	F
Enclosure:	TEFC	Inverter Code:	Inverter Duty
Frame:	56	KVA Code:	N
Frame Material:	Steel	Lifting Lugs:	No Lifting Lugs
Output @ Frequency:	.750 HP @ 60 HZ	Locked Bearing Indicator:	No Locked Bearing
Synchronous Speed @ Frequency:	1800 RPM @ 60 HZ	Motor Lead Quantity/Wire Size:	9 @ 18 AWG
Voltage @ Frequency:	460.0 V @ 60 HZ	Motor Lead Exit:	Ko Box
	230.0 V @ 60 HZ	Motor Lead Termination:	Flying Leads
XP Class and Group:	None	Motor Type:	3428M
XP Division:	Not Applicable	Mounting Arrangement:	F1
Agency Approvals:	UR	Power Factor:	68
	CSA EEV	Product Family:	Dirty Duty Plus
	CCSA US	Pulley End Bearing Type:	Sealed Bearing
Auxillary Box:	No Auxillary Box	Pulley Face Code:	Standard
Auxillary Box Lead Termination:	None	Pulley Shaft Indicator:	Standard
Base Indicator:	Rigid	Rodent Screen:	None
Bearing Grease Type:	Polyrex EM (-20F +300F)	RoHS Status:	ROHS COMPLIANT
Blower:	None	Shaft Extension Location:	Pulley End

<b>Constant Torque Speed Range:</b>	6	<b>Shaft Ground Indicator:</b>	No Shaft Grounding
<b>Current @ Voltage:</b>	1.400 A @ 460.0 V	<b>Shaft Rotation:</b>	Reversible
	2.800 A @ 230.0 V	<b>Shaft Slinger Indicator:</b>	No Slinger
<b>Design Code:</b>	B	<b>Speed Code:</b>	Single Speed
<b>Drip Cover:</b>	No Drip Cover	<b>Motor Standards:</b>	NEMA
<b>Duty Rating:</b>	CONT	<b>Starting Method:</b>	Direct on line
<b>Electrically Isolated Bearing:</b>	Not Electrically Isolated	<b>Thermal Device - Bearing:</b>	None
<b>Feedback Device:</b>	NO FEEDBACK	<b>Thermal Device - Winding:</b>	None
<b>Front Face Code:</b>	Standard	<b>Vibration Sensor Indicator:</b>	No Vibration Sensor
<b>Front Shaft Indicator:</b>	None	<b>Winding Thermal 1:</b>	None
<b>Heater Indicator:</b>	No Heater	<b>Winding Thermal 2:</b>	None

Nameplate NP3556E											
CAT NO	DM3542										
SPEC.	34M812R422G1						ENCL	TEFC			
FRAME	56	HP		.75							
VOLTS	230/460										
FLA	2.8/1.4				I.P.	56					
RPM	1725			RPM MAX	2700						
HZ	60		PH	3		CLASS	F				
SER.F.	1.25		DES	B		CC					
NEMA-NOM-EFF	74										
RATING	40C AMB-CONT										
DE BRG	6203			ODE BRG	6203						
GREASE	POLYREX EM										
C HP FR	60		C HP TO	90							
CT HZ FROM	6		CT HZ TO	60							
SER.NO											
	50C AT 1.0 SF										
					VT HZ FROM	6			VT HZ TO	60	

Parts List		
Part Number	Description	Quantity
SA324592	SA 34M812R422G1	1.000 EA
RA312431	RA 34M812R422G1	1.000 EA
NS2512A01	INSULATOR, CONDUIT BOX X	1.000 EA
34CB1000A01E	CONDUIT BOX, WASHDOWN, W/E-COATED	1.000 EA
34GS1017	GASKET, CONDUIT BOX MODEL 34 (BLACK NEOP	1.000 EA
51XB1016A07	10-16 X 7/16 HXWSSLD SERTYB	2.000 EA
11XW1032G06	10-32 X .38, TAPTITE II, HEX WSHR SLTD U	1.000 EA
34EP1100A137LP2	FRONT EP TEFC 203 BRG W/ SEAL	1.000 EA
HW4601B23	INPRO SEAL, 203 BRG, MINI66	1.000 EA
HW4500S33	1/8 NPT STAINLESS #304 SS PLUG	3.000 EA
HA4054	SHORT T-DRAIN FITTING, .125" N.P.T.	1.000 EA
XY1032S02	10-32 HEX NUT R.H. S STL	4.000 EA
HW5100A03	WAVY WASHER (W1543-017)	1.000 EA
34EP1100A185E	ENDPLATE, MACH W/E-COAT	1.000 EA
HW4606A01	JM CLIPPER/SEAL (WDE-0667-1064-BH49)	1.000 EA
HW4500S33	1/8 NPT STAINLESS #304 SS PLUG	3.000 EA
HA4054	SHORT T-DRAIN FITTING, .125" N.P.T.	1.000 EA
34FN3002A01SP	EXTERNAL FAN, PLASTIC, .637/.639 HUB W/	1.000 EA
34FH4002A01LP2	IEC FH NO GREASER	1.000 EA
11XW1032S06	10-32 X .38, TAPTITE II, HEX WSHR SLTD U	3.000 EA
34CB4500E	CONDUIT BOX LID, E-COAT	1.000 EA
34GS1007	GASKET, CONDUIT BOX LID MODEL 34 (BLACK	1.000 EA
59XW0832S07	TAPTITE II,HEX WSHR UNSLTD SER,410 S.S.,	4.000 EA
HW2502D13	SS KEY, 3/16 SQ X 1.375	1.000 EA

Parts List (continued)		
Part Number	Description	Quantity
HA7000A04	KEY RETAINER 0.625 DIA SHAFTS	1.000 EA
MJ5001A02	732 CL SEALANT 3 OZ DIXIE BEARING 289100	0.001 EA
LB1164	LABEL,WARNING AND DRAIN	1.000 EA
MJ5001A23	P.D. GEORGE B-276 AIR DRY VARNISH	0.001 GA
LB1000	LABEL, DIRTY DUTY	1.000 EA
HW3001B02	BRASS CUP WASHER W/GROUND SYMBOL TAB,	1.000 EA
WD1000D21	TRM,T&B #B71M,RING,18-14,.25,NON-INSL	9.000 EA
85XU0407S04	4X1/4 U DRIVE PIN STAINLESS	2.000 EA
MG1025L01	WILKOFAS FD, 786.04, BLACK	0.014 GA
MG1500Y02	WILKOPON PRIMER YELLOW	0.014 GA
HA3100S14	THRUBOLT 10X32 X 8.875 302 OR 303 SS	4.000 EA
MN416A01	TAG-INSTAL-MAINT no wire (2100/bx) 4/22	1.000 EA
LC0005	CONN.DIA.,TY M,9-LD,DUAL VOLT,REVERSING	1.000 EA
NP3556E	SS DIRTY DUTY PLUS INV UL CSA-C US EEV C	1.000 EA
35PA1066	PKG GRP, PRINT PK1008A06	1.000 EA

**AC Induction Motor Performance Data**

Record # 58333

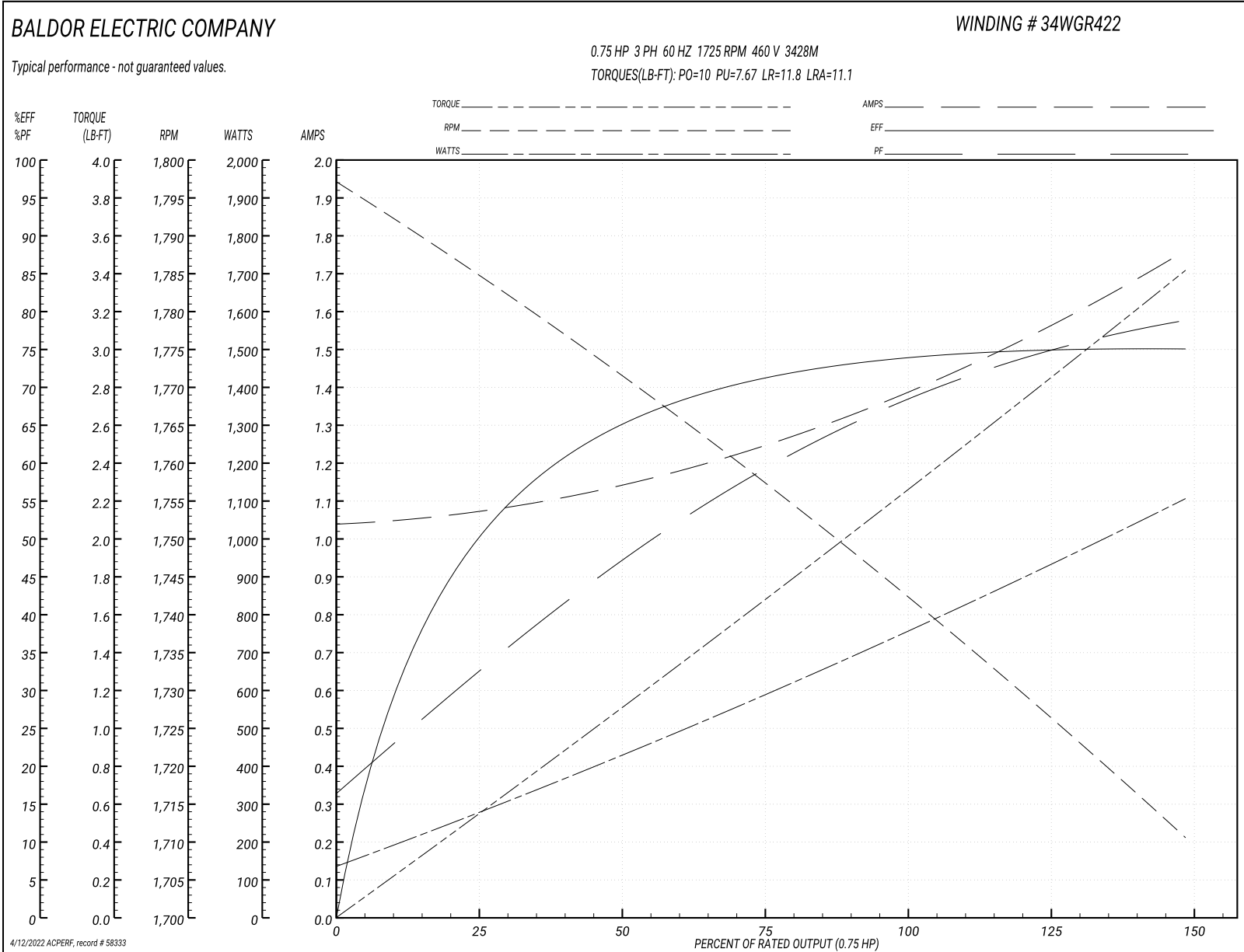
Typical performance - not guaranteed values

Winding: 34WGR422-R001			Type: 3428M			Enclosure: TEFC		
<b>Nameplate Data</b>				<b>460 V, 60 Hz: High Voltage Connection</b>				
Rated Output (HP)	.75		Full Load Torque	2.28 LB-FT				
Volts	230/460		Start Configuration	direct on line				
Full Load Amps	2.8/1.4		Breakdown Torque	10 LB-FT				
R.P.M.	1725		Pull-up Torque	7.67 LB-FT				
Hz	60 Phase	3	Locked-rotor Torque	11.8 LB-FT				
NEMA Design Code	B KVA Code	N	Starting Current	11.1 A				
Service Factor (S.F.)	1.25		No-load Current	1.04 A				
NEMA Nom. Eff.	74 Power Factor	68	Line-line Res. @ 25°C	17.999 Ω				
Rating - Duty	40C AMB-CONT		Temp. Rise @ Rated Load	60°C				
S.F. Amps	3.2/1.6		Temp. Rise @ S.F. Load	70°C				
			Locked-rotor Power Factor	55.7				

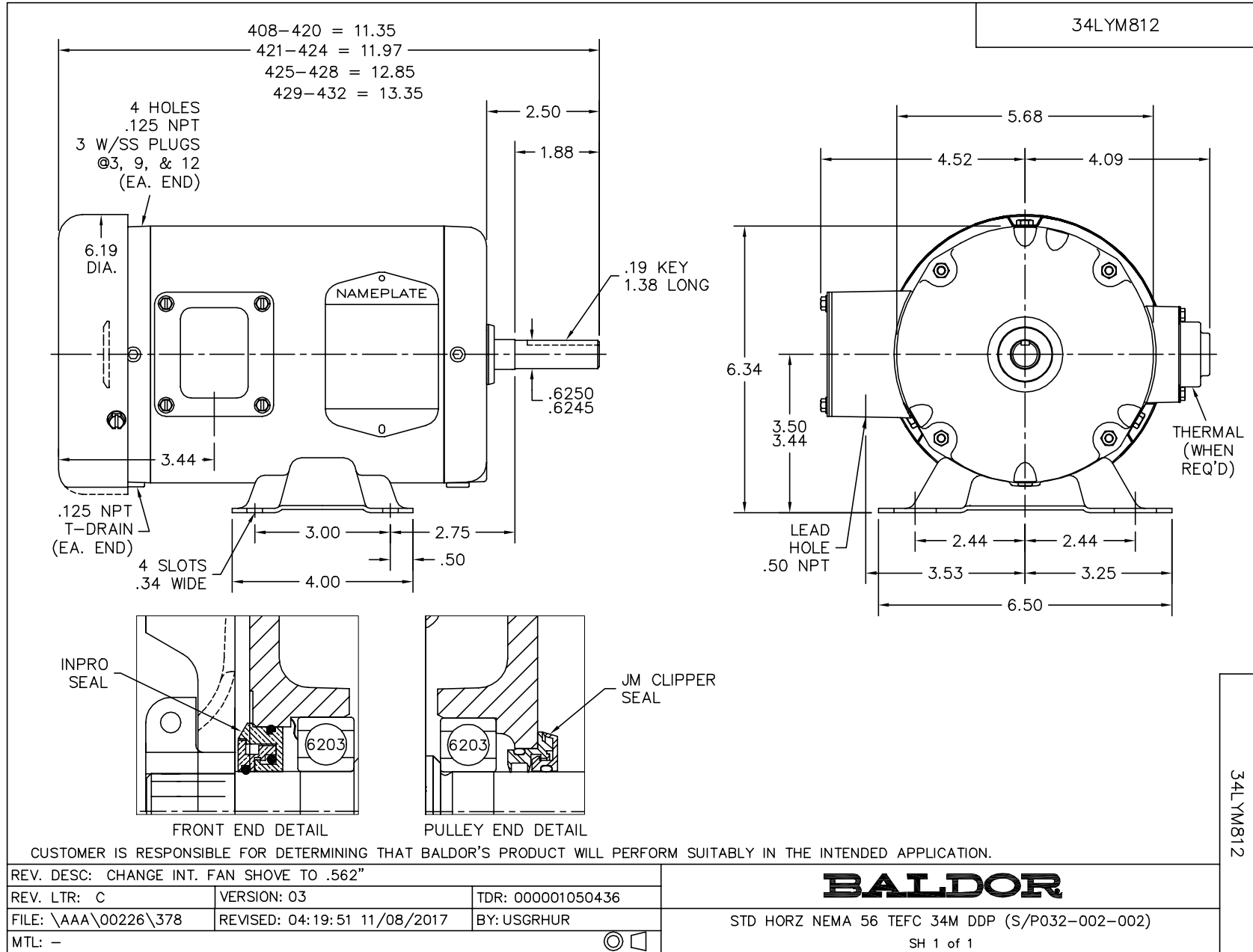
**Load Characteristics 460 V, 60 Hz, 0.75 HP**

% of Rated Load	25	50	75	100	125	150	S.F.
Power Factor	33	48	60	68	75	79	75
Efficiency	50.2	65.5	71.3	74.1	75.2	75	75.2
Speed	1783.6	1770.3	1757	1742.7	1726.6	1709.9	1727
Line amperes	1.07	1.15	1.25	1.39	1.57	1.76	1.57

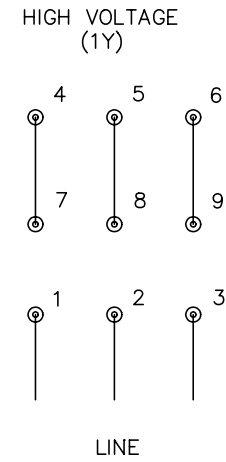
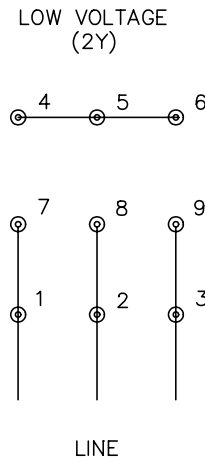
Performance Graph at 460V, 60Hz, 0.75HP Typical performance - Not guaranteed values







CD0005



NOTES:

1. INTERCHANGE ANY TWO LINE LEADS TO REVERSE ROTATION.
2. OPTIONAL THERMOSTATS ARE PROVIDED WHEN SPECIFIED.
3. ACTUAL NUMBER OF INTERNAL PARALLEL CIRCUITS MAY BE A MULTIPLE OF THOSE SHOWN ABOVE.
4. LEAD COLORS ARE OPTIONAL. LEADS MUST ALWAYS BE NUMBERED AS SHOWN.

REV. DESC: REVISE TO SHOW OPTIONAL COLORS			
REV. LTR: E	BY: JLP	REVISED: 01/19/99 10:15	TDR: 0171435
90000		FILE: AAA00005140	MDL: -
		MTL: -	

**BALDOR ELECTRIC Co.**

3PH, DV, 9 LEADS

CD0005