

**BALDOR® • RELIANCE®**

---

# Customer information packet

## DMG2333

0328AT, 33KWKW, 1750RPM, 230, 230, DPGF, F2

## Specifications

Armature Voltage	230 V
Base Speed	1750 rpm
Enclosure	DPFG
Field Voltage	230 V
Frame	328AT
Output Power	33.000 KW
Agency Approvals	CSA
Ambient Temperature	40 °C
Armature Current	144.0 a
Drip Cover	No Drip Cover
Duty Rating	CONT
Feedback Device	NO FEEDBACK
Field Winding Type	COMPOUND
Heater Indicator	No Heater
Insulation Class	F
Lifting Lugs	Standard Lifting Lugs
Motor Standards	NEMA
Mounting Arrangement	F2
Overall Length	36.63 IN
Service Factor	1.00
Shaft Diameter	2.125 IN
Shaft Ground Indicator	No Shaft Grounding
Shaft Slinger Indicator	No Slinger
Thermal Device - Bearing	None

## Part detail

Revision	B
Type	DC
Mech. spec.	
Base	
Status	PRD/A
Elec. spec.	K0087A
Layout	1486
Eff. date	10-22-2021
CD Diagram	
Poles	00
Leads	
Proprietary	False
Created date	11-21-2019

**Nameplate**

**15405**

<b>CAT.NO.</b>	DMG2333	<b>MODEL NO.</b>	T32S8013		
<b>KW</b>	33KW	<b>RPM</b>	1750	<b>FRAME</b>	0328AT
<b>ARM VOLTS</b>	230	<b>ARM AMPS</b>	144.00	<b>WOUND</b>	COMPOUND
<b>FIELD VOLTS</b>	230	<b>FIELD AMPS</b>	2.13-1.30/1.11-.65		
<b>FIELD CONN.</b>		<b>OHMS</b>	72.8	<b>INSUL. CLASS</b>	F
<b>ENCL</b>	DPFG	<b>DUTY</b>	CONT	<b>MAX AMBIENT</b>	40
<b>SERVICE FACTOR</b>	1.0				
<b>S/N</b>		<b>E/S</b>	K0087A		
	BRUSH:28610-1				
<b>O.D.E. BRG.</b>	6210	<b>D.E. BRG.</b>	6211	<b>BRUSH</b>	28610-1
				<b>QTY</b>	4

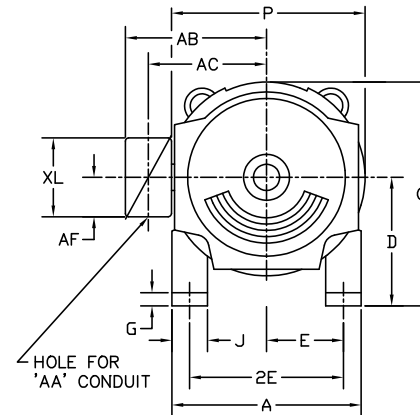
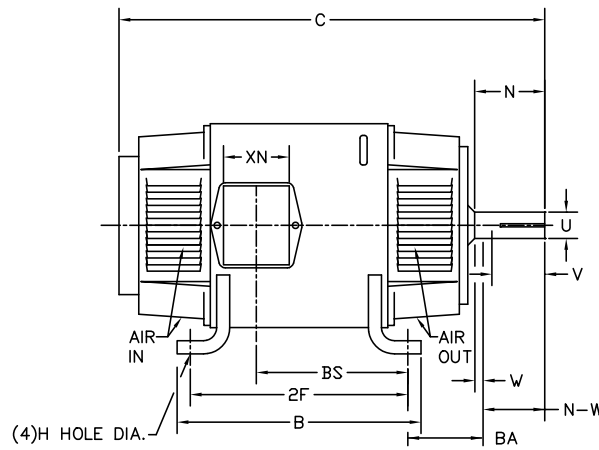
## Parts list

Part number	Description	Quantity
SA376256	SA T32S8013	1.000 ea
AA018185	AA T32S8013	1.000 ea
036170004DA	DRSCW METRIC NAMEPLATE	4.000 ea
15405	ALUM CSA DC GENERATOR	1.000 ea
LB1009N	LABEL,ROTATION DIRECTION (ON ROLLS)	1.000 ea
004824007AB	PAINT,XT	0.100 ea
034017016AB	LCKW 1/2" PLATED	8.000 ea
032018004BK	HHCS 5/16-18X1/2 PLATED	2.000 ea
15094	DISHED LOCKWASHER .332 ID, .865 OD	2.000 ea
BP5228R02	BRUSH ROCKER ASSY, FR 28/32 2 BR/STUD	1.000 ea
28610-1SP	BRUSH,280/320FR. E-41HELWIG,NEW DESIGN	4.000 ea
32031-7	ODE BRKT MACH FR 320, LOCKED ODE BRG	1.000 ea
32029-10	FE BRKT,STD. LOCKED C/E 320AT	1.000 ea
032130010DA	1/2-13 X 1.25 HSHCS	4.000 ea
032018040DK	HHCS 1/2-13X5L PLATED	4.000 ea
HA4048A04	DRIVE-IN PLUG,1.88"EXPAN.PLUG,	1.000 ea
15033-11	WASHER WAVE SPR #042 ASSOC. SPR. #W3917-	1.000 ea
034690001AC	P/PLG	2.000 ea
032130016BA	HSHCS OUTER CAP LE	3.000 ea
150449-31	GRD STUD ARG .312DIA STUD	1.000 ea
15024-7	28021-2/BOX FR. 280/3201/8" THK.,MUELL	1.000 ea
15024-7	28021-2/BOX FR. 280/3201/8" THK.,MUELL	1.000 ea
15115	TERM BOX HOLE COVER FRAME 280 & 320	1.000 ea
032018004AK	HHCS 1/4-20X1/2 PLATED	4.000 ea
32020-2	GASKET COVER COM END FRAME 320 SERIES	3.000 ea
32020-1	GASKET, COVER, FAN END	3.000 ea
032018004BK	HHCS 5/16-18X1/2 PLATED	28.000 ea
32046-1	VENT COVER FRAME 32 SERIES	3.000 ea
32046-2	VENT COVER FRAME 32 SERIES	3.000 ea
15599-37	DRIVE SCR,#10 X.37 TYPE UPLATED STEEL	6.000 ea
32023-1	LOUVERED SMILE COVER, FR 320	1.000 ea

15024-6	TERM.BOX BASE FR-320, DUREX P/N:3SP	1.000 ea
15024-4	TERM.BOX CVR. FR-28,32,36DUREX P/N:D618	1.000 ea
15024-5	GASKET, T.BOX COVER	1.000 ea
032018004AK	HHCS 1/4-20X1/2 PLATED	2.000 ea
032018008BK	HHCS 5/16-18X1L PLATED	4.000 ea
413430001	LABEL	1.000 ea
034180025GA	KEY,DE	1.000 ea
004824007BTW	SPECIAL PAINT4824-3BVZ	0.100 ea

**Accessories**

<b>Part number</b>	<b>Description</b>	<b>Multiplier</b>
94EP5000A02	C-FACE CONVERSION KIT FOR STOCK MTR,FR 3	P1



1486

FRAME	FOOT MOUNTING						D.E. SHAFT EXTENSION					DRIVE KEY		FRAME					
	BA	E	2F	G	H	J	N	N-W	U	V	W	KEY-SQ.	KEY-LONG	A	B	C	D	O	P
1810AT	2.75	3.75	11.00	.38	.406	1.50	2.90	2.77	1.125 <sup>1</sup>	2.50 <sup>3</sup>	.13	.250	1.38	8.75	12.25	21.46	4.50 <sup>2</sup>	9.00	9.00
219AT	3.50	4.25	11.00	.50	.406	2.00	3.00	2.75	1.375 <sup>1</sup>	2.50 <sup>3</sup>	.25	.312	1.75	10.38	12.00	24.50	5.25 <sup>2</sup>	10.47	10.44
258AT	4.25	5.00	12.50	.69	.531	2.25	3.44	3.25	1.625 <sup>1</sup>	3.00 <sup>3</sup>	.19	.375	2.31	12.38	14.00	26.50	6.25 <sup>2</sup>	12.47	12.44
259AT	4.25	5.00	14.00	.69	.531	2.25	3.44	3.25	1.625 <sup>1</sup>	3.00 <sup>3</sup>	.19	.375	2.31	12.38	15.50	28.00	6.25 <sup>2</sup>	12.47	12.44
288AT	4.75	5.50	14.00	.69	.531	2.50	3.91	3.75	1.875 <sup>1</sup>	3.50 <sup>3</sup>	.16	.500	2.50	13.81	15.62	32.00	7.00 <sup>2</sup>	13.88	13.75
328AT	5.25	6.25	16.00	.81	.656	3.00	4.40	4.25	2.125 <sup>1</sup>	4.00 <sup>3</sup>	.15	.500	3.12	15.88	17.75	34.63	8.00 <sup>2</sup>	15.94	15.88
329AT	5.25	6.25	18.00	.81	.656	3.00	4.40	4.25	2.125 <sup>1</sup>	4.00 <sup>3</sup>	.15	.500	3.12	15.88	19.75	36.63	8.00 <sup>2</sup>	15.94	15.88

FRAME	CONDUIT BOX							APPROXIMATE WEIGHT
	AA	AB	AC	AF	BS	XL	XN	
1810AT	3/4NPT	INTEGRAL WITH ENDPLATE						195
219AT	3/4-1	7.91	6.44	2.44	9.38	3.81	3.12	260
258AT	1-1/4	9.35	7.72	2.94	9.75	4.94	4.00	366
259AT	1-1/4	9.35	7.72	2.94	11.25	4.94	4.00	411
288AT	1-1/4	11.88	9.25	5.00	12.64	7.88	5.25	566
328AT	2	12.94	10.32	5.00	13.68	7.88	5.25	775
329AT	2	12.94	10.32	5.00	15.68	7.88	5.25	884

- 1) SHAFT DIAMETERS TO 1.500 TOLERANCE +.0000 - .0005  
SHAFT DIAMETERS ABOVE 1.500 TOLERANCE +.0000 - .0010  
SHAFT DIAMETERS TO 1.625 RUNOUT .002 T.I.R. MAX.  
SHAFT DIAMETERS ABOVE 1.625 RUNOUT .003 T.I.R. MAX.
- 2) 'D' DIMENSION TOLERANCE +.000 - .030
- 3) 'V' DIMENSION IS MAX. HUB LENGTH ON SHAFT
- 4) CONDUIT BOX CAN BE ROTATED IN 90° STEPS ON ITS OWN AXIS.
- 5) ALL DIMENSIONS NOT NOTED ARE NOMINAL DIMENSIONS CONSULT FACTORY FOR TOLERANCES.

FOR F1 OR F2 CONDUIT BOX  
LOCATION SEE SALES ORDER

1486

MATERIAL: -			
REV:	C	CORRECTED "A" DIMENSIONS	
9871		SCALE: 0.08	BY: TBM
		FILE: CHB00003091	REVISED: 09/10/96
			TDR: 0104915

**BALDOR ELECTRIC Co.**

DIM SHEET, 1810AT THRU 329AT GENERATORS