

BALDOR® • RELIANCE 

Product Information Packet

DRX14144T-5

1HP,1760RPM,3PH,60HZ,143T,XPFC,F1

Part Detail							
Revision:	A	Status:	PRD/A	Change #:		Proprietary:	No
Type:	AC	Elec. Spec:	35WGM849	CD Diagram:	CD0006	Mfg Plant:	
Mech. Spec:		Layout:	35LYX081	Poles:	04	Created Date:	07-16-2019
Base:		Eff. Date:	06-15-2020	Leads:	3#18		

Specs			
Catalog Number:	DRX14144T-5	Insulation Class:	F
Enclosure:	XPFC	Inverter Code:	Inverter Duty
Frame:	143T	IP Rating:	NONE
Frame Material:	Steel	KVA Code:	L
Output @ Frequency:	1.000 HP @ 60 HZ	Lifting Lugs:	No Lifting Lugs
Synchronous Speed @ Frequency:	1800 RPM @ 60 HZ	Locked Bearing Indicator:	Locked Bearing
Voltage @ Frequency:	575.0 V @ 60 HZ	Motor Lead Termination:	Flying Leads
XP Class and Group:	CLI GP C,D	Motor Type:	3520M
XP Division:	Division I	Mounting Arrangement:	F1
Agency Approvals:	CSA	Power Factor:	71
	CSA EEV	Product Family:	General Purpose
	UR	Pulley Face Code:	Standard
Auxillary Box:	No Auxillary Box	Rodent Screen:	None
Auxillary Box Lead Termination:	None	RoHS Status:	ROHS NON-COMPLIANT
Base Indicator:	Rigid	Shaft Ground Indicator:	No Shaft Grounding
Bearing Grease Type:	Polyrex EM (-20F +300F)	Shaft Rotation:	Reversible
Blower:	None	Speed Code:	Single Speed
Constant Torque Speed Range:	6	Motor Standards:	NEMA

Current @ Voltage:	1.200 A @ 575.0 V	Starting Method:	Direct on line
Design Code:	B	Thermal Device - Bearing:	None
Drip Cover:	No Drip Cover	Thermal Device - Winding:	Normally Closed Thermostat
Duty Rating:	CONT	Vibration Sensor Indicator:	No Vibration Sensor
Electrically Isolated Bearing:	Not Electrically Isolated	Winding Thermal 1:	None
Feedback Device:	NO FEEDBACK	Winding Thermal 2:	None
Heater Indicator:	No Heater	XP Temp Code:	T3C

Nameplate NP1401XPSLEV									
NO.					CC	010A			
S/N					TEMP CODE	T3C			
SPEC.	35-0000-0264				INV. TYPE	PWM			
CAT.NO.	DRX14144T-5				C HP FR	60	C HP TO	90	
HP	1				CT HZ FROM	6	CT HZ TO	60	
VOLTS	575				VT HZ FROM	6	VT HZ TO	60	
AMPS	1.2				MAG CUR	.8			
RPM	1760				MX RPM	2700			
HZ	60	PH	3	CL	F	NOM.EFF.	85.5		
SER.F.	1.00		DES	B	SL HZ	1.3	WK2	0.118	
FRAME	143T		RATING	40C AMB-CONT					
	55C AMB @1.0 SF								
	1.15 SF SINEWAVE				NEMA MG-1 PT 5,IP55				

Parts List		
Part Number	Description	Quantity
SA371906	SA 35-0000-0264	1.000 EA
RA361626	RA 35-0000-0264	1.000 EA
LB1119N	WARNING LABEL	1.000 EA
LC0006	CONNECTION LABEL	1.000 EA
NP1401XPSLEV	SS XP INV UL CSA-EEV CC CL-I GP-C&D	1.000 EA
85XU0407S04	4X1/4 U DRIVE PIN STAINLESS	2.000 EA
MN416A01	TAG-INSTAL-MAINT no wire (2100/bx) 4/22	1.000 EA
LB1359F	ALUM XP CAUTION LABEL	1.000 EA
35FH4005A01SP	IEC FH NO GREASER W/PRIMED	1.000 EA
51XW1032A06	10-32 X .38, TAPTITE II, HEX WSHR SLTD S	3.000 EA
35FN3002A05SP	EXFN, PLASTIC, 6.376 OD, .638 ID	1.000 EA
51XB1214A16	12-14X1.00 HXWSSLD SERTYB	1.000 EA
MJ1000A02	GREASE, MOBIL POLYREX EM - 124047	0.050 LB
HA3104A06	THRUBOLT 5/16-18 X 8.50 OHIO ROD	4.000 EA
XY3118A12	5/16-18 HEX NUT DIRECTIONAL SERRATION	4.000 EA
35EP1715A08	FREP XPFC 203 BRG GROUP "C" W/DRAIN	1.000 EA
HW5100A03	WAVY WASHER (W1543-017)	1.000 EA
HW4506A02	BREATHER/DRAIN-EXP PROOF-.125-27 NPTF AI	1.000 EA
HW3022E05	.125 DIA X .500 ROLLED SPRING PIN	1.000 EA
35EP3701B05	PUEP X-PROOF - 205 BRG GROUP C&E	1.000 EA
HA2009A86	SLINGER FOR GROUP E MTRS - 205 BRG.	1.000 EA
80XN0632J06	SET SCREW, 6-32 X 3/8", HEX SOCKET, AS	1.000 EA
HW4506A02	BREATHER/DRAIN-EXP PROOF-.125-27 NPTF AI	1.000 EA
HW3022E05	.125 DIA X .500 ROLLED SPRING PIN	1.000 EA

Parts List (continued)		
Part Number	Description	Quantity
35CB1005A01	CONDUIT BOX,MACH - GROUP "C" MTRS	1.000 EA
RM1020A41	O-RING, -150 BUNA-N, .103 CS X 2.862 ID	1.000 EA
11XW1032G06	10-32 X .38, TAPTITE II, HEX WSHR SLTD U	1.000 EA
HW3001B01	BRASS CUP WASHER, FOR #10 SCREW	1.000 EA
35CB1501A01	CONDUIT BOX LID, MACH. - GROUP "C" MTRS	1.000 EA
MG1500Y02	WILKOPON PRIMER YELLOW	0.022 GA
MG1025G29	WILKOFASST, 789.229, DARK CHARCOAL GRAY	0.022 GA
36PA1000	PKG GRP, PRINT PK1016A06	1.000 EA
HW2501D13	KEY, 3/16 SQ X 1.375	1.000 EA
HA7000A01	KEY RETAINER 7/8" DIA SHAFT	1.000 EA

AC Induction Motor Performance Data

Record # 77530

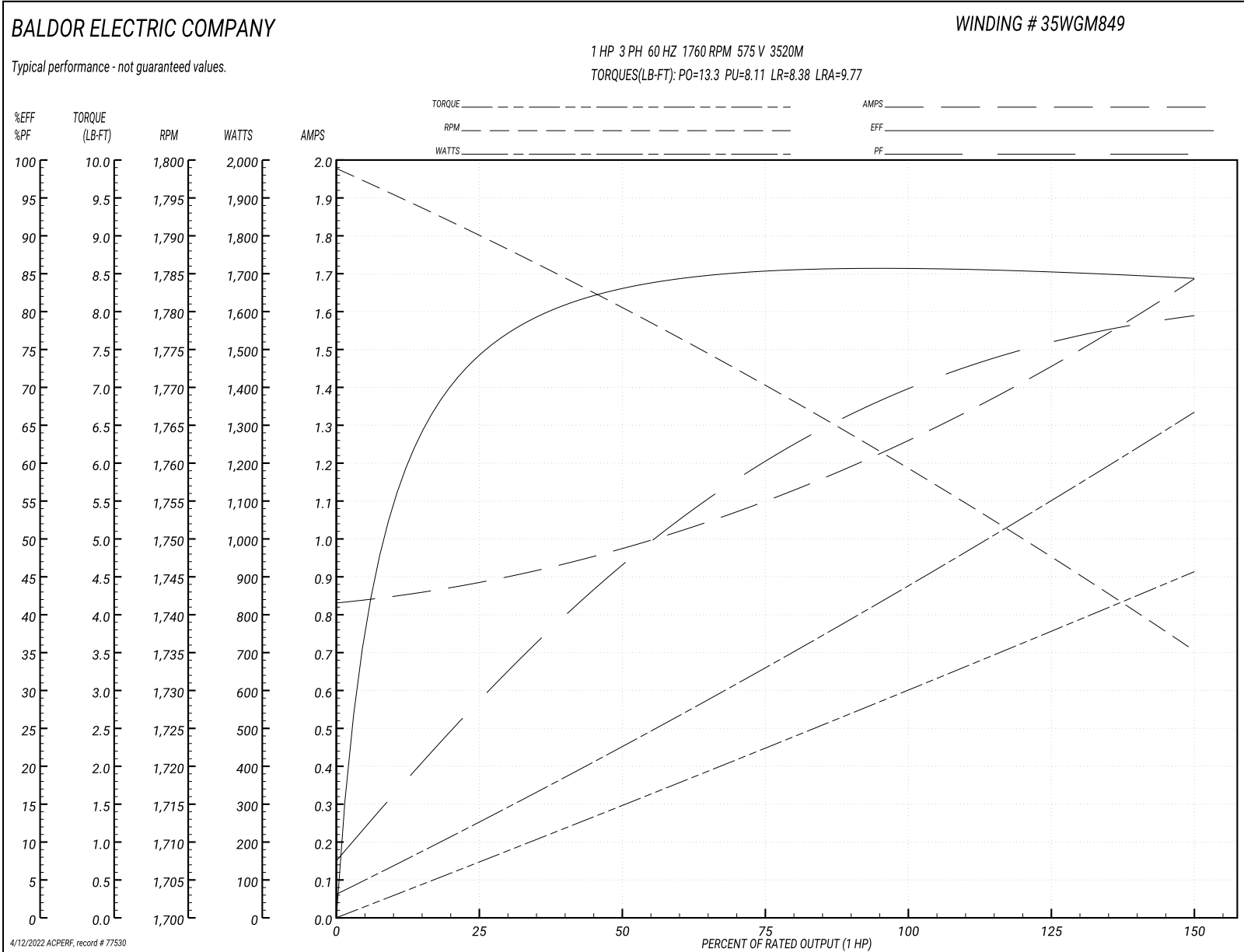
Typical performance - not guaranteed values

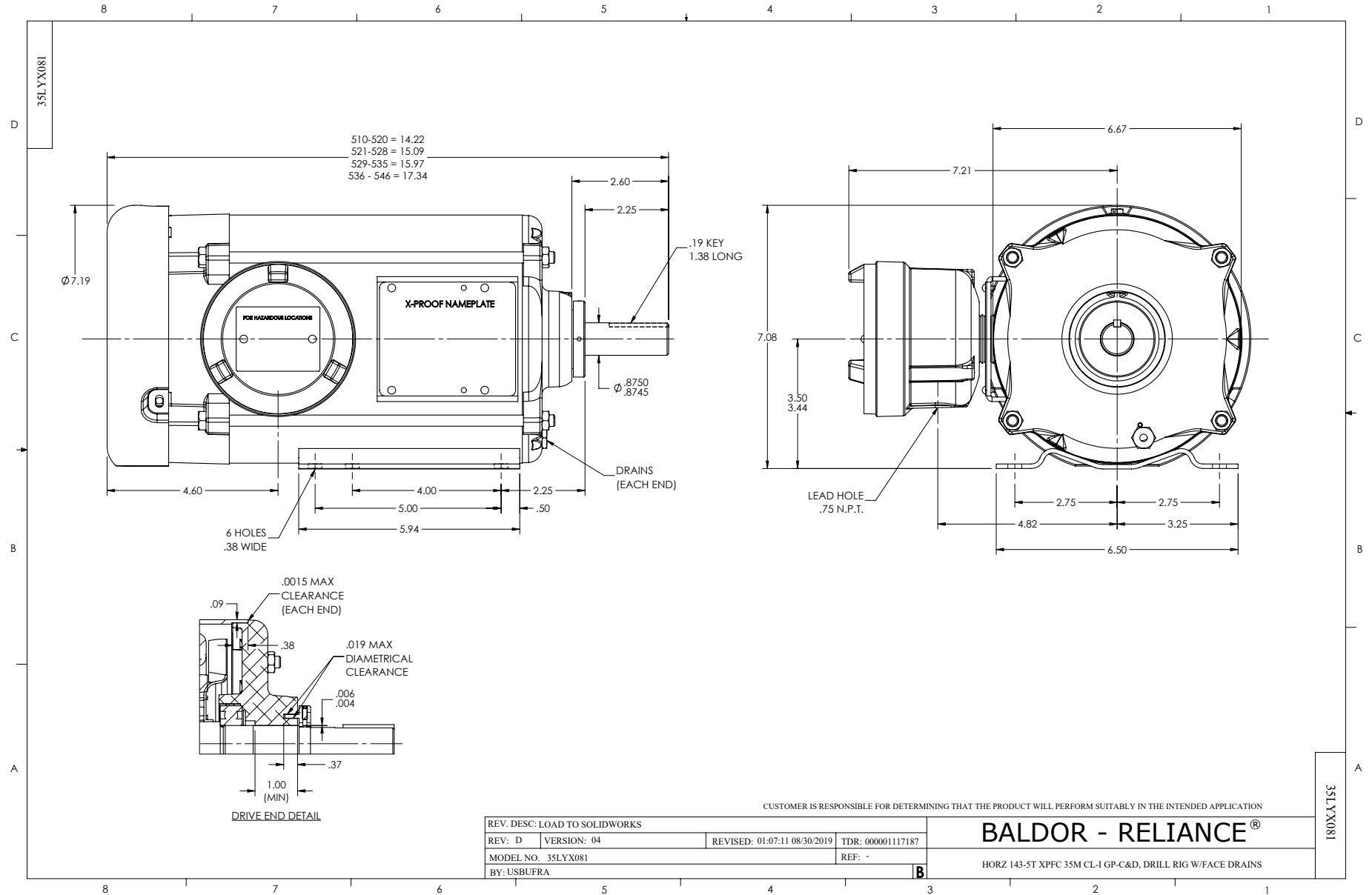
Winding: 35WGM849-R034		Type: 3520M		Enclosure: XPFC	
Nameplate Data			575 V, 60 Hz: Single Voltage Motor		
Rated Output (HP)	1	Full Load Torque	2.99 LB-FT		
Volts	575	Start Configuration	direct on line		
Full Load Amps	1.2	Breakdown Torque	13.3 LB-FT		
R.P.M.	1760	Pull-up Torque	8.11 LB-FT		
Hz	60	Locked-rotor Torque	8.38 LB-FT		
NEMA Design Code	B	Starting Current	9.77 A		
Service Factor (S.F.)	1	No-load Current	0.84 A		
NEMA Nom. Eff.	85.5	Line-line Res. @ 25°C	23.9 Ω		
Rating - Duty	40C AMB-CONT	Temp. Rise @ Rated Load	36°C		
		Locked-rotor Power Factor	53.9		
		Rotor inertia	0.118 LB-FT ²		

Load Characteristics 575 V, 60 Hz, 1 HP

% of Rated Load	25	50	75	100	125	150
Power Factor	29	47	60	69	76	80
Efficiency	74.4	83.1	85.2	85.8	85.2	84.3
Speed	1790	1780	1770	1760	1748	1735
Line amperes	0.872	0.977	1.1	1.26	1.46	1.68

Performance Graph at 575V, 60Hz, 1.0HP Typical performance - Not guaranteed values





CD0006



NOTES:

1. THREE LEAD MOTOR MAY BE EITHER WYE CONNECTED OR DELTA CONNECTED.
2. INTERCHANGE ANY TWO LINE LEADS TO REVERSE ROTATION.
3. OPTIONAL THERMOSTATS ARE PROVIDED WHEN SPECIFIED.
4. ACTUAL NUMBER OF INTERNAL PARALLEL CIRCUITS MAY VARY.
5. LEAD COLORS ARE OPTIONAL. LEADS MUST BE NUMBERED AS SHOWN.

CD0006

REV. DESC: ADD CLASS CONN00000007		
REV. LTR: E	VERSION: 01	TDR: 000001099922
FILE: \AAA\00005\141	REVISED: 10:24:49 02/19/2019	BY: ENBRIRO
MTL: -	© □	

BALDOR - RELIANCE®

3PH, SV, 3 LEADS, WYE OR DELTA CONNECTED

SH 1 of 1

Marketing maintained PDF of MN416:

<http://www.baldor.com/support/Literature/Load.ashx/MN416?ManNumber=MN416>