

BALDOR® • RELIANCE 

Product Information Packet

DRX181564T

1.5HP, 1170//970RPM, 3PH, 60HZ, 182T, XPFC, F1

Part Detail							
Revision:	B	Status:	PRD/A	Change #:		Proprietary:	No
Type:	AC	Elec. Spec:	06WGW969	CD Diagram:	CD0005	Mfg Plant:	
Mech. Spec:		Layout:	06LY-000-044	Poles:	06	Created Date:	05-01-2019
Base:		Eff. Date:	07-27-2020	Leads:	9#16		

Specs			
Catalog Number:	DRX181564T	Duty Rating:	CONT
Enclosure:	XPFC	Electrically Isolated Bearing:	Not Electrically Isolated
Frame:	182T	Feedback Device:	NO FEEDBACK
Frame Material:	Iron	Heater Indicator:	No Heater
Output @ Frequency:	1.000 HP @ 50 HZ	Insulation Class:	F
	1.500 HP @ 60 HZ	Inverter Code:	Inverter Duty
Synchronous Speed @ Frequency:	1200 RPM @ 60 HZ	IP Rating:	NONE
Voltage @ Frequency:	230.0 V @ 60 HZ	KVA Code:	K
	190.0 V @ 50 HZ	Lifting Lugs:	Standard Lifting Lugs
	380.0 V @ 50 HZ	Locked Bearing Indicator:	Locked Bearing
	460.0 V @ 60 HZ	Motor Lead Termination:	Flying Leads
XP Class and Group:	CLI GP C,D	Motor Type:	0630M
XP Division:	Division I	Mounting Arrangement:	F1
Agency Approvals:	UR	Power Factor:	65
	CSA EEV	Product Family:	General Purpose
	CSA	Pulley Face Code:	Standard
Auxillary Box:	No Auxillary Box	Rodent Screen:	None
Auxillary Box Lead Termination:	None	RoHS Status:	ROHS NON-COMPLIANT

Base Indicator:	Rigid	Shaft Ground Indicator:	No Shaft Grounding
Bearing Grease Type:	Polyrex EM (-20F +300F)	Shaft Rotation:	Reversible
Blower:	None	Speed Code:	Single Speed
Constant Torque Speed Range:	6	Motor Standards:	NEMA
Current @ Voltage:	5.000 A @ 230.0 V	Starting Method:	Direct on line
	4.400 A @ 190.0 V	Thermal Device - Bearing:	None
	2.500 A @ 460.0 V	Thermal Device - Winding:	Normally Closed Thermostat
	2.297 A @ 380.0 V	Vibration Sensor Indicator:	No Vibration Sensor
Design Code:	B	Winding Thermal 1:	None
Drip Cover:	No Drip Cover	Winding Thermal 2:	None
		XP Temp Code:	T3C

Nameplate NP1401XPSLEV										
NO.						CC	010A			
S/N						TEMP CODE	T3C			
SPEC.	06-0000-0118					INV.TYPE	PWM			
CAT.NO.	DRX181564T					C HP FR	60		C HP TO	90
HP	1.5//1					CT HZ FROM	6		CT HZ TO	60
VOLTS	230/460//190/380					VT HZ FROM	6		VT HZ TO	60
AMPS	5/2.5//4.4/2.297					MAG CUR	3/1.5			
RPM	1170//970					MX RPM	1800			
HZ	60//50		PH	3	CL	F		NOM.EFF.	87.5	
SER.F.	1.00		DES	B	SL HZ	1.5		WK2	0.282	
FRAME	182T		RATING	40C AMB-CONT						
	55C AMB @ 1.0SF									
	1.15SF SINEWAVE					NEMA MG-1 PT 5,IP55				

Parts List		
Part Number	Description	Quantity
SA369210	SA 06-0000-0118	1.000 EA
RA358764	RA 06-0000-0118	1.000 EA
LB1115N	LABEL,LIFTING DEVICE (ON ROLLS)	1.000 EA
LB1119N	WARNING LABEL	1.000 EA
LC0145B01	CONNECTION LABEL	1.000 EA
NP1401XPSLEV	SS XP INV UL CSA-EEV CC CL-I GP-C&D	1.000 EA
85XU0407S04	4X1/4 U DRIVE PIN STAINLESS	2.000 EA
MN416A01	TAG-INSTAL-MAINT no wire (2100/bx) 4/22	1.000 EA
LB1081F	ALUM XP CAUTION LABEL (FS PLANT ONLY-	1.000 EA
HW3201A05	3/8-16 EYEBOLT	1.000 EA
06FH1003A06	FH, XP W/GRSR	1.000 EA
51XN1032A14	10-32 X 0.875 HX WS SL SR	4.000 EA
36FN3000C01SP	EXFN, PLASTIC, 5.25 OD, .912 ID	1.000 EA
51XB1214A16	12-14X1.00 HXWSSLD SERTYB	1.000 EA
MJ1000A02	GREASE, MOBIL POLYREX EM - 124047	0.050 LB
06EP1709A08	FRONT XPFC 205 BRG GRP C W/ DRAIN (HW450	1.000 EA
10XN3118K20	5/16-18 X 1 1/4 GRADE 5 STEEL ZC PLATED	4.000 EA
HW1001A31	LOCKWASHER 5/16, ZINC PLT.591 OD, .319 I	4.000 EA
HW5100A05	WVY WSHR F/205 & 304 BRGS	1.000 EA
HW4500A01	1641B(ALEMITE)400 UNIV, GREASE FITT	1.000 EA
HW4500A19	1/4-28X1/4 SLOTTED PLUG F/S	1.000 EA
HW4506A02	BREATHER/DRAIN-EXP PROOF-.125-27 NPTF AI	1.000 EA
HW3022E05	.125 DIA X .500 ROLLED SPRING PIN	1.000 EA
36EP1718A16	PULLEY 206 BRG GROUP C W/GRSR, DRAIN & S	1.000 EA

Parts List (continued)		
Part Number	Description	Quantity
HW1001A31	LOCKWASHER 5/16, ZINC PLT.591 OD, .319 I	4.000 EA
10XN3118K20	5/16-18 X 1 1/4 GRADE 5 STEEL ZC PLATED	4.000 EA
HA2065A01	SLINGER, ALUM (AUTO)	1.000 EA
80XN1032A07	SET SCREW, HEX XOCK, ZN	1.000 EA
HW4500A01	1641B(ALEMITE)400 UNIV, GREASE FITT	1.000 EA
HW4500A19	1/4-28X1/4 SLOTTED PLUG F/S	1.000 EA
HW4506A02	BREATHER/DRAIN-EXP PROOF-.125-27 NPTF AI	1.000 EA
HW3022E05	.125 DIA X .500 ROLLED SPRING PIN	1.000 EA
07CB1000A02	CONDUIT BOX, MODEL 306,EXP. PROOF	1.000 EA
10XN2520A14	1/4 20X7/8 HX HD CAP	4.000 EA
HW1001A25	LOCKWASHER 1/4, ZINC PLT .493 OD, .255 I	4.000 EA
WD1000B17	T&B CX35TN OR L35P TERMINAL LUG	1.000 EA
11XW1032G06	10-32 X .38, TAPTITE II, HEX WSHR SLTD U	1.000 EA
07CB1502A01	CONDUIT BOX LID MACH (DUCTILE IRON)	1.000 EA
10XN2520K16	1/4-20 X 1" HX HD SCRW GRADE 5, ZINC P	4.000 EA
HW1001A25	LOCKWASHER 1/4, ZINC PLT .493 OD, .255 I	4.000 EA
MG1500Y02	WILKOPON PRIMER YELLOW	0.022 GA
MG1025G29	WILKOFASST, 789.229, DARK CHARCOAL GRAY	0.022 GA
37PA1074	PALLET PACK GRP, PRINT BOX PK1026A06	1.000 EA
HW2501E16	KEY, 1/4 SQ X 1.750	1.000 EA

AC Induction Motor Performance Data

Record # 75917

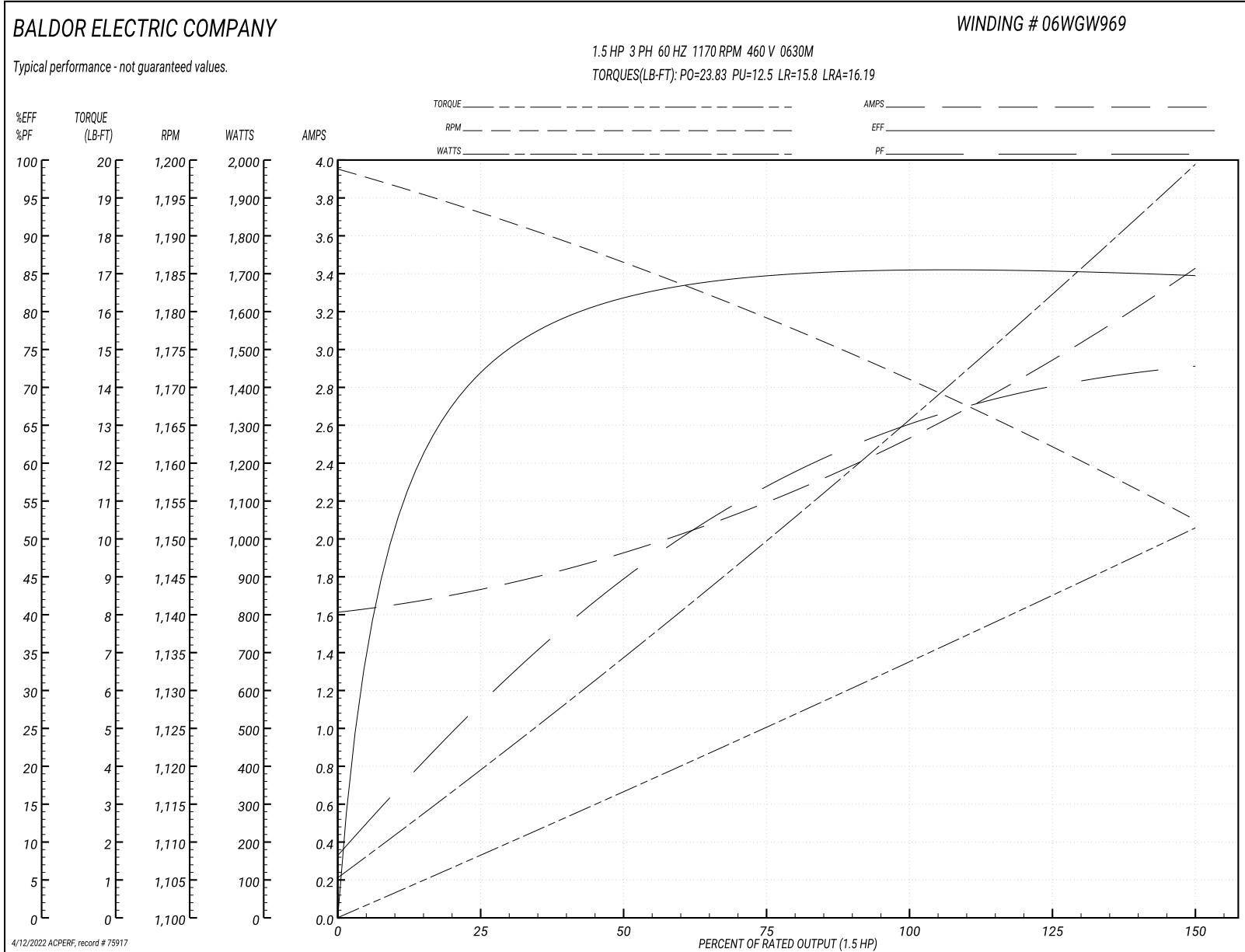
Typical performance - not guaranteed values

Winding: 06WGW969-R007		Type: 0630M		Enclosure: TEFC	
Nameplate Data			460 V, 60 Hz: High Speed Connection		
Rated Output (HP)	1.5//1	Full Load Torque	6.76 LB-FT		
Volts	230/460//190/380	Start Configuration	direct on line		
Full Load Amps	5/2.5//4.4/2.2970	Breakdown Torque	23.83 LB-FT		
R.P.M.	1170	Pull-up Torque	12.5 LB-FT		
Hz	60//50 Phase	3	Locked-rotor Torque	15.8 LB-FT	
NEMA Design Code	B KVA Code	K	Starting Current	16.19 A	
Service Factor (S.F.)		1	No-load Current	1.63 A	
NEMA Nom. Eff.	87.5 Power Factor	65	Line-line Res. @ 25°C	7.01 Ω	
Rating - Duty	40C AMB-CONT		Temp. Rise @ Rated Load	27°C	
S.F. Amps			Temp. Rise @ S.F. Load	31°C	
			Locked-rotor Power Factor	30.4	
			Rotor inertia	0.282 LB-FT ²	

Load Characteristics 460 V, 60 Hz, 1.5 HP

% of Rated Load	25	50	75	100	125	150
Power Factor	29	45	57	65	70	73
Efficiency	71.5	81.5	84.5	85.7	85.6	84.5
Speed	1193	1186	1179	1171	1163	1152
Line amperes	1.71	1.92	2.21	2.54	2.95	3.42

Performance Graph at 460V, 60Hz, 1.5HP Typical performance - Not guaranteed values



AC Induction Motor Performance Data

Record # 75918

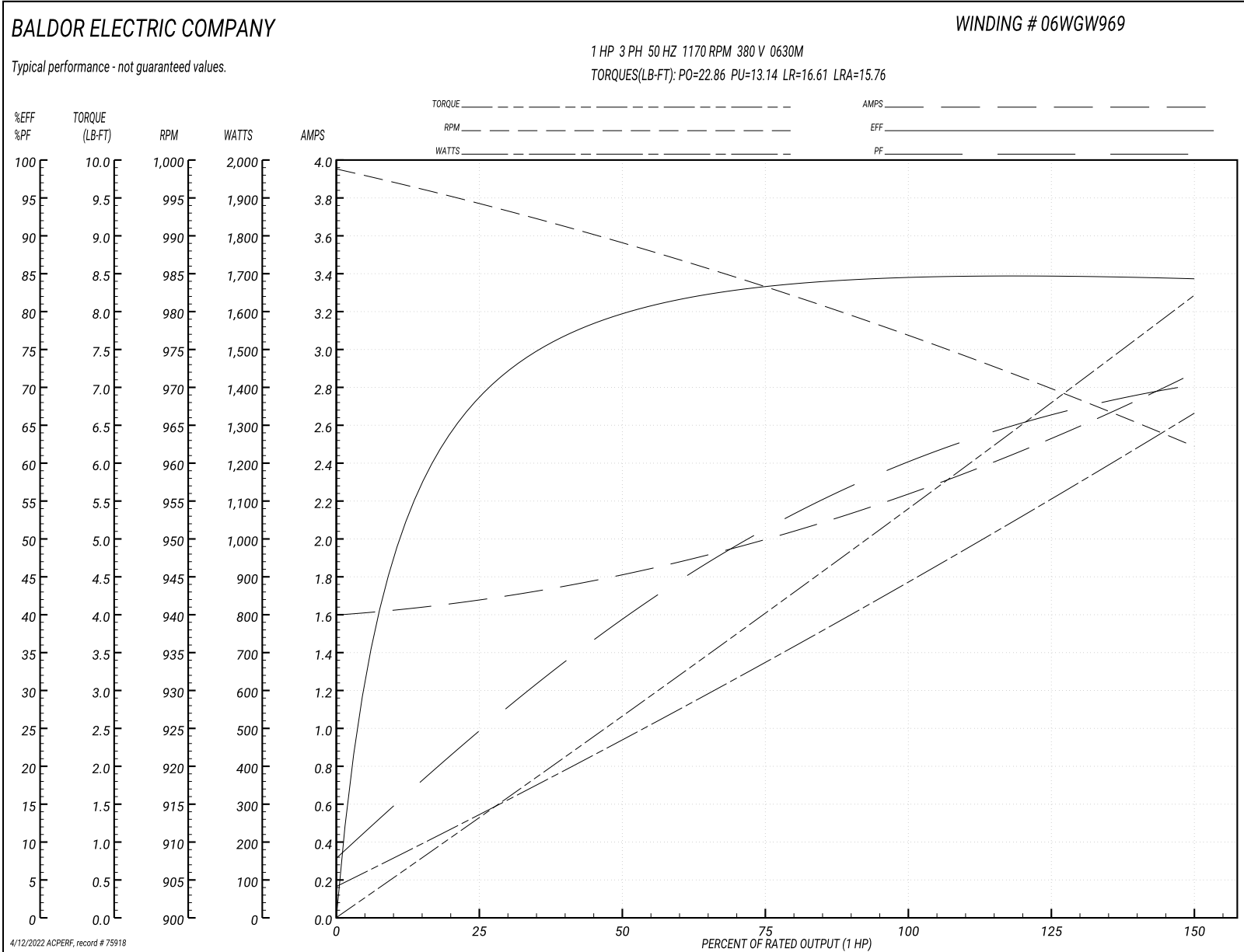
Typical performance - not guaranteed values

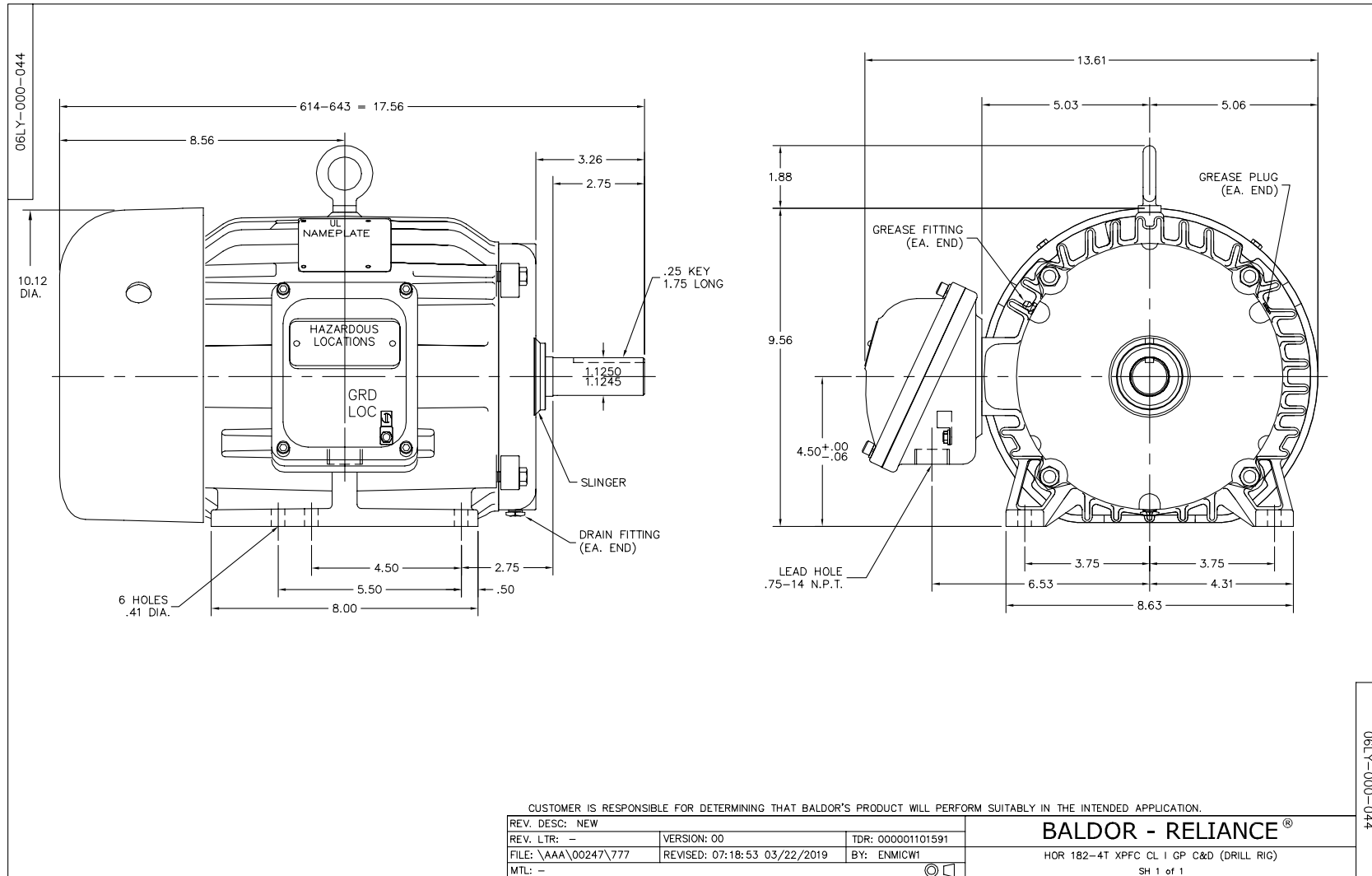
Winding: 06WGW969-R007		Type: 0630M		Enclosure: TEFC	
Nameplate Data			380 V, 50 Hz: High Voltage Connection		
Rated Output (HP)	1.5//1		Full Load Torque	5.42 LB-FT	
Volts	230/460//190/380		Start Configuration	direct on line	
Full Load Amps	5/2.5//4.4/2.2970		Breakdown Torque	22.86 LB-FT	
R.P.M.	1170		Pull-up Torque	13.14 LB-FT	
Hz	60//50	Phase	3	Locked-rotor Torque	16.61 LB-FT
NEMA Design Code	B KVA Code		K	Starting Current	15.76 A
Service Factor (S.F.)			1	No-load Current	1.61 A
NEMA Nom. Eff.	87.5	Power Factor	65	Line-line Res. @ 25°C	7.01 Ω
Rating - Duty	40C AMB-CONT			Temp. Rise @ Rated Load	21°C
				Locked-rotor Power Factor	34.4
				Rotor inertia	0.282 LB-FT ²

Load Characteristics 380 V, 50 Hz, 1 HP

% of Rated Load	25	50	75	100	125	150
Power Factor	25	40	51	60	66	71
Efficiency	68.3	79.4	83.2	84.8	84.9	84.1
Speed	994	989	983	977	970	962
Line amperes	1.66	1.81	2.01	2.24	2.54	2.87

Performance Graph at 380V, 50Hz, 1.0HP Typical performance - Not guaranteed values

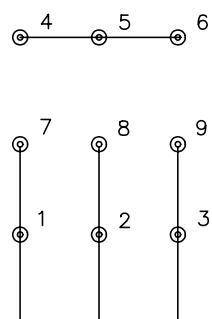




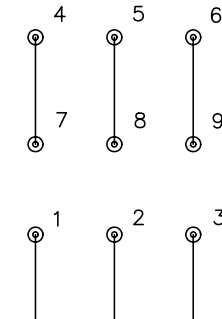
CD0005



LOW VOLTAGE
(2Y)



HIGH VOLTAGE
(1Y)



NOTES:

1. INTERCHANGE ANY TWO LINE LEADS TO REVERSE ROTATION.
2. OPTIONAL THERMOSTATS ARE PROVIDED WHEN SPECIFIED.
3. ACTUAL NUMBER OF INTERNAL PARALLEL CIRCUITS MAY BE A MULTIPLE OF THOSE SHOWN ABOVE.
4. LEAD COLORS ARE OPTIONAL. LEADS MUST ALWAYS BE NUMBERED AS SHOWN.

REV. DESC: REVISE TO SHOW OPTIONAL COLORS			
REV. LTR: E	BY: JLP	REVISED: 01/19/99 10:15	TDR: 0171435
900000		FILE: AAA00005140	MDL: -
		MTL: -	

BALDOR ELECTRIC Co.

3PH, DV, 9 LEADS

CD0005

Marketing maintained PDF of MN416:

<http://www.baldor.com/support/Literature/Load.ashx/MN416?ManNumber=MN416>