

**BALDOR® • RELIANCE** 

**Product Information Packet**

**DRX18264T**

**2HP, 1165//970RPM, 3PH, 60HZ, 184T, XPFC, F1**

Part Detail							
Revision:	B	Status:	PRD/A	Change #:		Proprietary:	No
Type:	AC	Elec. Spec:	06WGW970	CD Diagram:	CD0005	Mfg Plant:	
Mech. Spec:		Layout:	06LY-000-044	Poles:	06	Created Date:	05-01-2019
Base:		Eff. Date:	07-27-2020	Leads:	9#16		

Specs			
Catalog Number:	DRX18264T	Duty Rating:	CONT
Enclosure:	XPFC	Electrically Isolated Bearing:	Not Electrically Isolated
Frame:	184T	Feedback Device:	NO FEEDBACK
Frame Material:	Iron	Heater Indicator:	No Heater
Output @ Frequency:	1.500 HP @ 50 HZ	Insulation Class:	F
	2.000 HP @ 60 HZ	Inverter Code:	Inverter Duty
Synchronous Speed @ Frequency:	1200 RPM @ 60 HZ	IP Rating:	NONE
Voltage @ Frequency:	230.0 V @ 60 HZ	KVA Code:	K
	190.0 V @ 50 HZ	Lifting Lugs:	Standard Lifting Lugs
	380.0 V @ 50 HZ	Locked Bearing Indicator:	Locked Bearing
	460.0 V @ 60 HZ	Motor Lead Termination:	Flying Leads
XP Class and Group:	CLI GP C,D	Motor Type:	0642M
XP Division:	Division I	Mounting Arrangement:	F1
Agency Approvals:	UR	Power Factor:	68
	CSA EEV	Product Family:	General Purpose
	CSA	Pulley Face Code:	Standard
Auxillary Box:	No Auxillary Box	Rodent Screen:	None
Auxillary Box Lead Termination:	None	RoHS Status:	ROHS NON-COMPLIANT

<b>Base Indicator:</b>	Rigid	<b>Shaft Ground Indicator:</b>	No Shaft Grounding
<b>Bearing Grease Type:</b>	Polyrex EM (-20F +300F)	<b>Shaft Rotation:</b>	Reversible
<b>Blower:</b>	None	<b>Speed Code:</b>	Single Speed
<b>Constant Torque Speed Range:</b>	6	<b>Motor Standards:</b>	NEMA
<b>Current @ Voltage:</b>	6.300 A @ 230.0 V	<b>Starting Method:</b>	Direct on line
	6.000 A @ 190.0 V	<b>Thermal Device - Bearing:</b>	None
	3.150 A @ 460.0 V	<b>Thermal Device - Winding:</b>	Normally Closed Thermostat
	3.000 A @ 380.0 V	<b>Vibration Sensor Indicator:</b>	No Vibration Sensor
<b>Design Code:</b>	B	<b>Winding Thermal 1:</b>	None
<b>Drip Cover:</b>	No Drip Cover	<b>Winding Thermal 2:</b>	None
		<b>XP Temp Code:</b>	T3C

Nameplate NP1401XPSLEV											
NO.						CC	010A				
S/N						TEMP CODE	T3C				
SPEC.	06-0000-0119					INV.TYPE	PWM				
CAT.NO.	DRX18264T					C HP FR	60		C HP TO	90	
HP	2//1.5					CT HZ FROM	6		CT HZ TO	60	
VOLTS	230/460//190/380					VT HZ FROM	6		VT HZ TO	60	
AMPS	6.3/3.15//6/3					MAG CUR	3.6/1.8				
RPM	1165//970					MX RPM	1800				
HZ	60//50		PH	3		CL	F		NOM.EFF.	88.5	
SER.F.	1.00		DES	B		SL HZ	1.8		WK2	0.395	
FRAME	184T		RATING	40C AMB-CONT							
	55C AMB @ 1.0SF										
	1.15SF SINEWAVE					NEMA MG-1 PT 5,IP55					

Parts List		
Part Number	Description	Quantity
SA369211	SA 06-0000-0119	1.000 EA
RA358765	RA 06-0000-0119	1.000 EA
LB1115N	LABEL,LIFTING DEVICE (ON ROLLS)	1.000 EA
LB1119N	WARNING LABEL	1.000 EA
LC0145B01	CONNECTION LABEL	1.000 EA
NP1401XPSLEV	SS XP INV UL CSA-EEV CC CL-I GP-C&D	1.000 EA
85XU0407S04	4X1/4 U DRIVE PIN STAINLESS	2.000 EA
MN416A01	TAG-INSTAL-MAINT no wire (2100/bx) 4/22	1.000 EA
LB1081F	ALUM XP CAUTION LABEL (FS PLANT ONLY-	1.000 EA
HW3201A05	3/8-16 EYEBOLT	1.000 EA
06FH1003A06	FH, XP W/GRSR	1.000 EA
51XN1032A14	10-32 X 0.875 HX WS SL SR	4.000 EA
36FN3000C01SP	EXFN, PLASTIC, 5.25 OD, .912 ID	1.000 EA
51XB1214A16	12-14X1.00 HXWSSLD SERTYB	1.000 EA
MJ1000A02	GREASE, MOBIL POLYREX EM - 124047	0.050 LB
06EP1709A08	FRONT XPFC 205 BRG GRP C W/ DRAIN (HW450	1.000 EA
10XN3118K20	5/16-18 X 1 1/4 GRADE 5 STEEL ZC PLATED	4.000 EA
HW1001A31	LOCKWASHER 5/16, ZINC PLT.591 OD, .319 I	4.000 EA
HW5100A05	WVY WSHR F/205 & 304 BRGS	1.000 EA
HW4500A01	1641B(ALEMITE)400 UNIV, GREASE FITT	1.000 EA
HW4500A19	1/4-28X1/4 SLOTTED PLUG F/S	1.000 EA
HW4506A02	BREATHER/DRAIN-EXP PROOF-.125-27 NPTF AI	1.000 EA
HW3022E05	.125 DIA X .500 ROLLED SPRING PIN	1.000 EA
36EP1718A16	PULLEY 206 BRG GROUP C W/GRSR, DRAIN & S	1.000 EA

Parts List (continued)		
Part Number	Description	Quantity
HW1001A31	LOCKWASHER 5/16, ZINC PLT.591 OD, .319 I	4.000 EA
10XN3118K20	5/16-18 X 1 1/4 GRADE 5 STEEL ZC PLATED	4.000 EA
HA2065A01	SLINGER, ALUM (AUTO)	1.000 EA
80XN1032A07	SET SCREW, HEX XOCK, ZN	1.000 EA
HW4500A01	1641B(ALEMITE)400 UNIV, GREASE FITT	1.000 EA
HW4500A19	1/4-28X1/4 SLOTTED PLUG F/S	1.000 EA
HW4506A02	BREATHER/DRAIN-EXP PROOF-.125-27 NPTF AI	1.000 EA
HW3022E05	.125 DIA X .500 ROLLED SPRING PIN	1.000 EA
07CB1000A02	CONDUIT BOX, MODEL 306,EXP. PROOF	1.000 EA
10XN2520A14	1/4 20X7/8 HX HD CAP	4.000 EA
HW1001A25	LOCKWASHER 1/4, ZINC PLT .493 OD, .255 I	4.000 EA
WD1000B17	T&B CX35TN OR L35P TERMINAL LUG	1.000 EA
11XW1032G06	10-32 X .38, TAPTITE II, HEX WSHR SLTD U	1.000 EA
07CB1502A01	CONDUIT BOX LID MACH (DUCTILE IRON)	1.000 EA
10XN2520K16	1/4-20 X 1" HX HD SCRW GRADE 5, ZINC P	4.000 EA
HW1001A25	LOCKWASHER 1/4, ZINC PLT .493 OD, .255 I	4.000 EA
MG1500Y02	WILKOPON PRIMER YELLOW	0.022 GA
MG1025G29	WILKOFASST, 789.229, DARK CHARCOAL GRAY	0.022 GA
37PA1074	PALLET PACK GRP, PRINT BOX PK1026A06	1.000 EA
HW2501E16	KEY, 1/4 SQ X 1.750	1.000 EA

**AC Induction Motor Performance Data**

Record # 75925

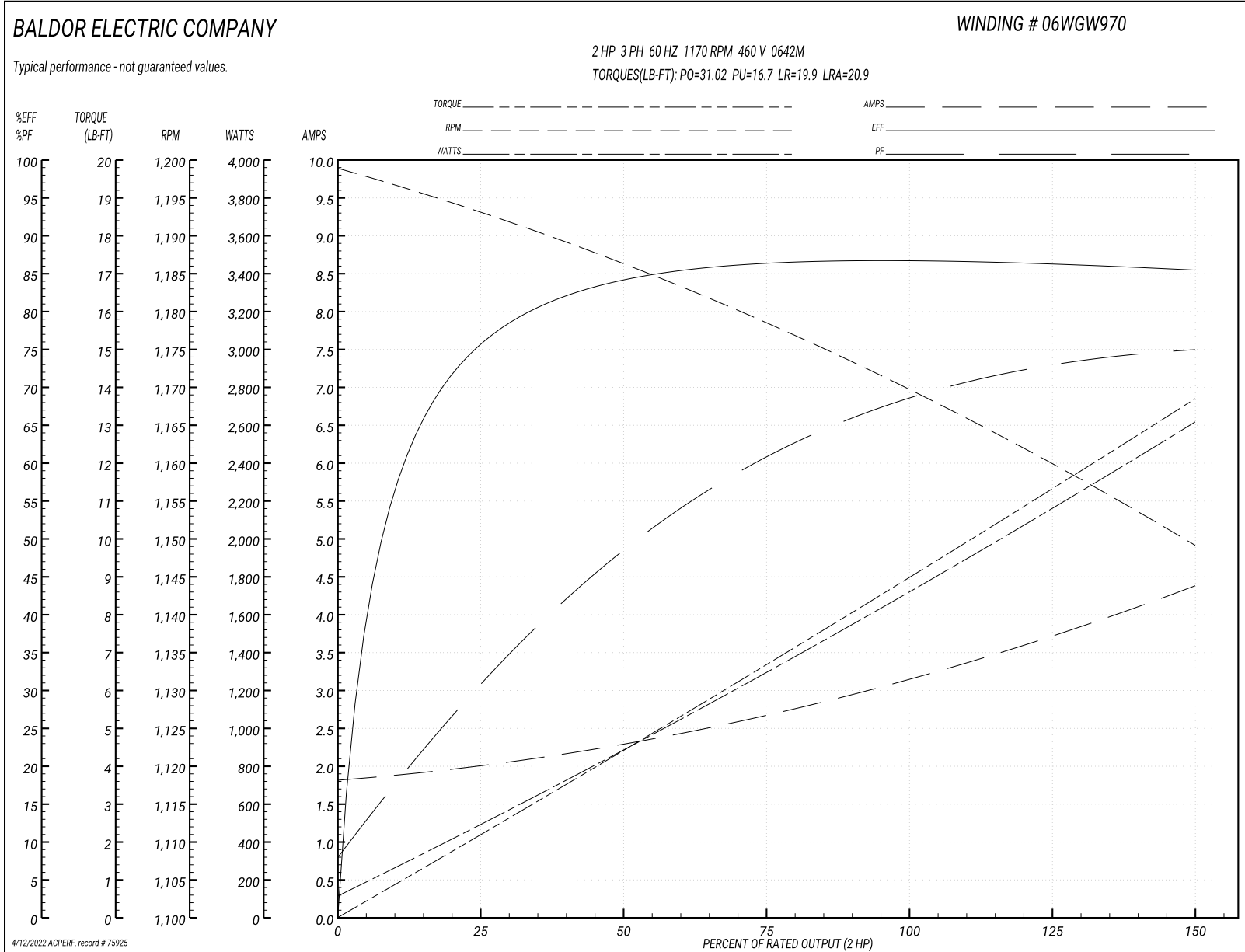
Typical performance - not guaranteed values

<b>Winding: 06WGW970-R007</b>		<b>Type: 0642M</b>		<b>Enclosure: XPFC</b>	
<b>Nameplate Data</b>			<b>460 V, 60 Hz: High Voltage Connection</b>		
<b>Rated Output (HP)</b>	2//1.5		<b>Full Load Torque</b>	9.06 LB-FT	
<b>Volts</b>	230/460//190/380		<b>Start Configuration</b>	direct on line	
<b>Full Load Amps</b>	6.3/3.15//6/3		<b>Breakdown Torque</b>	31.02 LB-FT	
<b>R.P.M.</b>	1165//970		<b>Pull-up Torque</b>	16.7 LB-FT	
<b>Hz</b>	<b>60 Phase</b>	3	<b>Locked-rotor Torque</b>	19.9 LB-FT	
<b>NEMA Design Code</b>	<b>B KVA Code</b>	K	<b>Starting Current</b>	20.9 A	
<b>Service Factor (S.F.)</b>	1		<b>No-load Current</b>	1.84 A	
<b>NEMA Nom. Eff.</b>	<b>88.5 Power Factor</b>	68	<b>Line-line Res. @ 25°C</b>	5.12 Ω	
<b>Rating - Duty</b>	40C AMB-CONT		<b>Temp. Rise @ Rated Load</b>	28°C	
<b>S.F. Amps</b>			<b>Temp. Rise @ S.F. Load</b>	33°C	
			<b>Locked-rotor Power Factor</b>	28.5	
			<b>Rotor inertia</b>	0.395 LB-FT <sup>2</sup>	

**Load Characteristics 460 V, 60 Hz, 2 HP**

<b>% of Rated Load</b>	<b>25</b>	<b>50</b>	<b>75</b>	<b>100</b>	<b>125</b>	<b>150</b>
<b>Power Factor</b>	32	49	61	68	73	75
<b>Efficiency</b>	75.2	83.8	86.2	87.2	86.2	85.3
<b>Speed</b>	1193	1186	1178	1170	1160	1149
<b>Line amperes</b>	1.98	2.28	2.7	3.18	3.72	4.37

Performance Graph at 460V, 60Hz, 2.0HP Typical performance - Not guaranteed values





**AC Induction Motor Performance Data**

Record # 75926

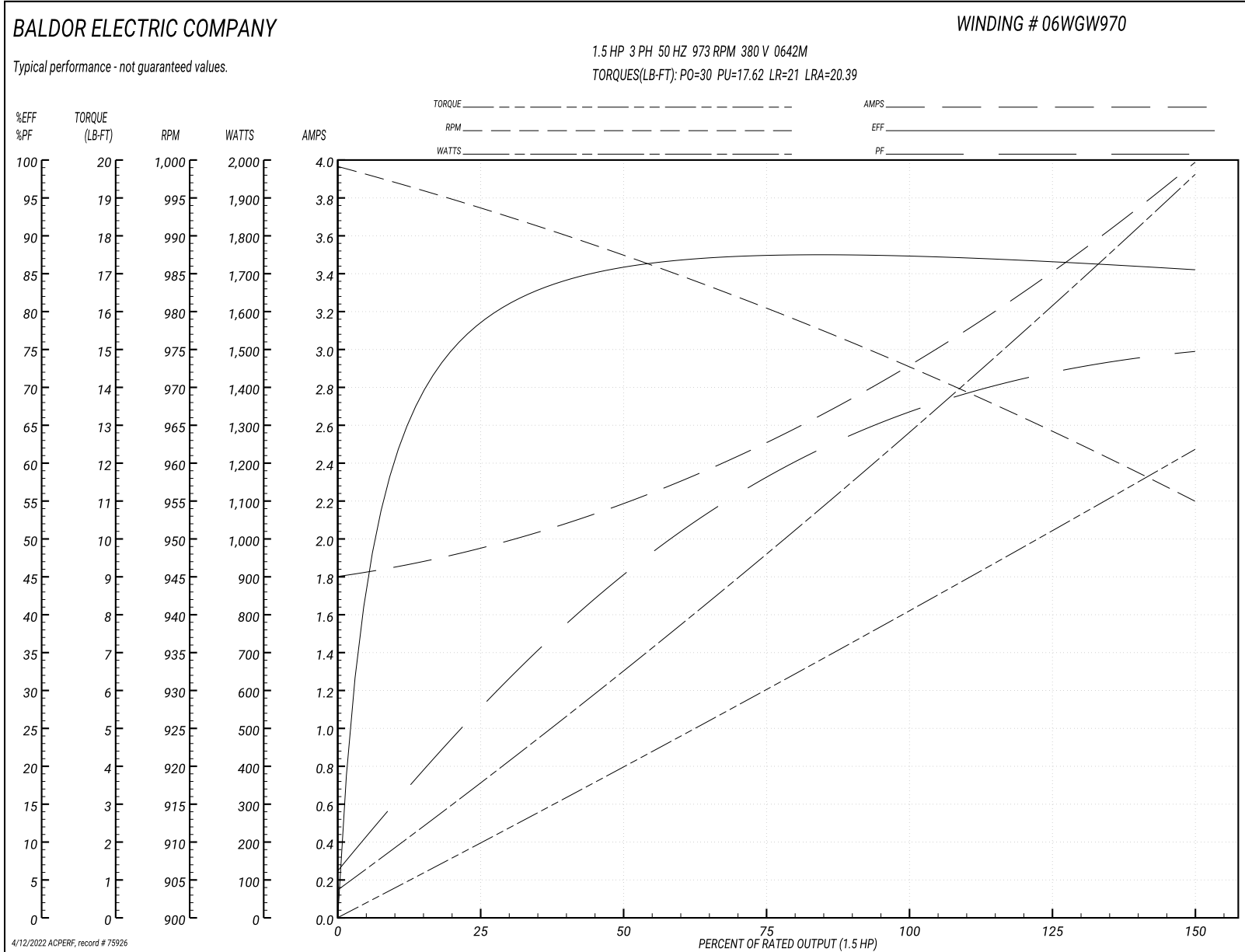
Typical performance - not guaranteed values

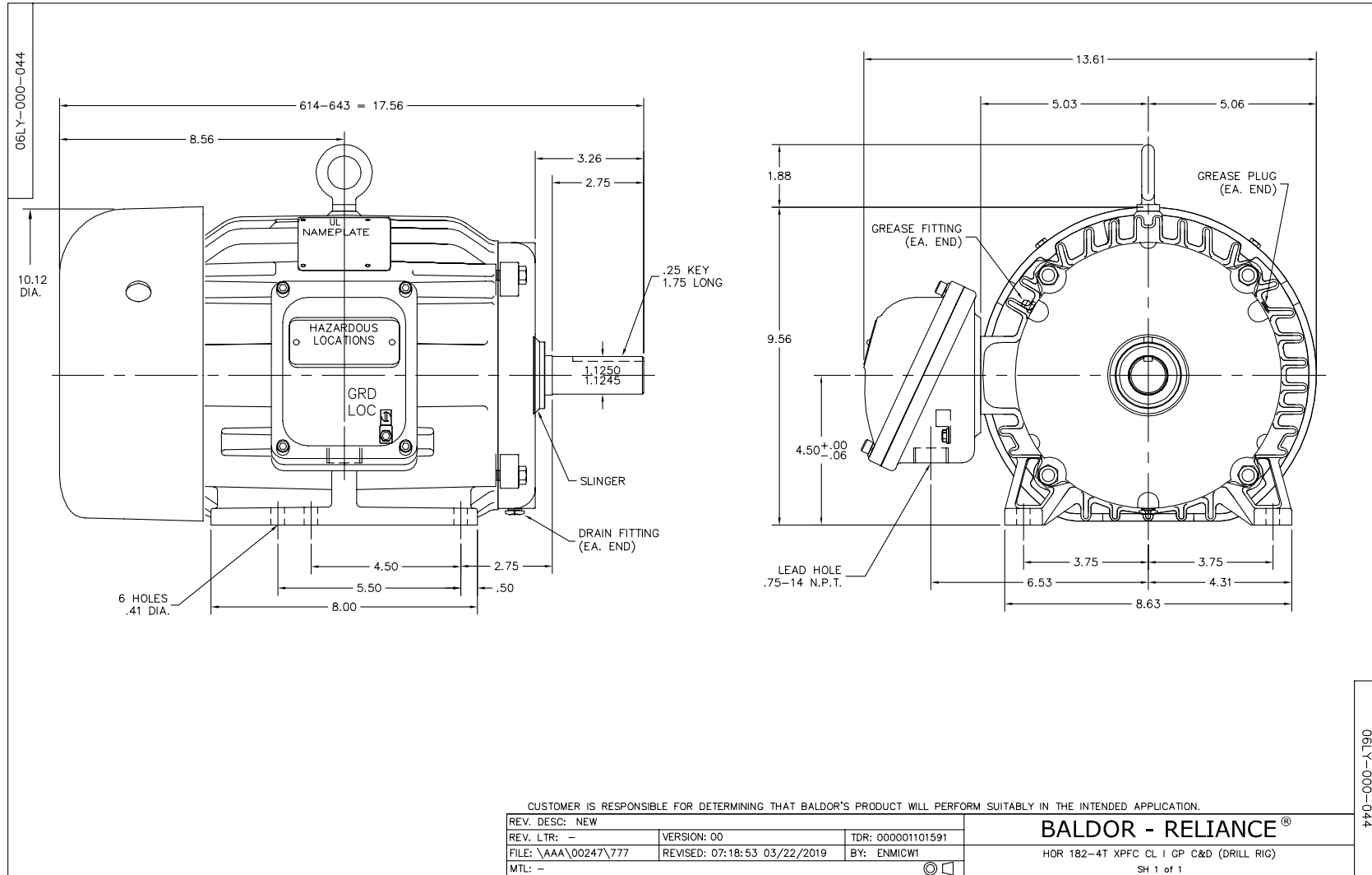
<b>Winding:</b> 06WGW970-R007		<b>Type:</b> 0642M		<b>Enclosure:</b> XPFC	
<b>Nameplate Data</b>			<b>380 V, 50 Hz: High Voltage Connection</b>		
<b>Rated Output (HP)</b>	2//1.5		<b>Full Load Torque</b>	8.17 LB-FT	
<b>Volts</b>	230/460//190/380		<b>Start Configuration</b>	direct on line	
<b>Full Load Amps</b>	6.3/3.15//6/3		<b>Breakdown Torque</b>	30 LB-FT	
<b>R.P.M.</b>	1165//970		<b>Pull-up Torque</b>	17.62 LB-FT	
<b>Hz</b>	<b>60 Phase</b>	3	<b>Locked-rotor Torque</b>	21 LB-FT	
<b>NEMA Design Code</b>	<b>B KVA Code</b>	K	<b>Starting Current</b>	20.39 A	
<b>Service Factor (S.F.)</b>	1		<b>No-load Current</b>	1.82 A	
<b>NEMA Nom. Eff.</b>	<b>88.5 Power Factor</b>	68	<b>Line-line Res. @ 25°C</b>	5.12 Ω	
<b>Rating - Duty</b>	40C AMB-CONT		<b>Temp. Rise @ Rated Load</b>	24°C	
			<b>Locked-rotor Power Factor</b>	32.2	
			<b>Rotor inertia</b>	0.395 LB-FT <sup>2</sup>	

**Load Characteristics 380 V, 50 Hz, 1.5 HP**

<b>% of Rated Load</b>	<b>25</b>	<b>50</b>	<b>75</b>	<b>100</b>	<b>125</b>	<b>150</b>
<b>Power Factor</b>	29	46	58	66	72	75
<b>Efficiency</b>	78	85.4	87.3	87.9	86.4	85.4
<b>Speed</b>	994	987	980	973	964	955
<b>Line amperes</b>	1.93	2.18	2.53	2.94	3.41	3.98

Performance Graph at 380V, 50Hz, 1.5HP Typical performance - Not guaranteed values

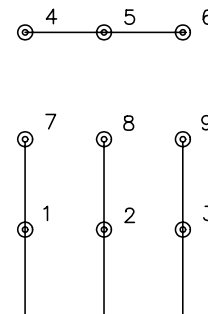




CD0005

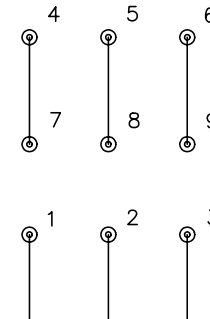


LOW VOLTAGE  
(2Y)



LINE

HIGH VOLTAGE  
(1Y)



LINE

NOTES:

1. INTERCHANGE ANY TWO LINE LEADS TO REVERSE ROTATION.
2. OPTIONAL THERMOSTATS ARE PROVIDED WHEN SPECIFIED.
3. ACTUAL NUMBER OF INTERNAL PARALLEL CIRCUITS MAY BE A MULTIPLE OF THOSE SHOWN ABOVE.
4. LEAD COLORS ARE OPTIONAL. LEADS MUST ALWAYS BE NUMBERED AS SHOWN.

REV. DESC: REVISE TO SHOW OPTIONAL COLORS			
REV. LTR: E	BY: JLP	REVISED: 01/19/99 10:15	TDR: 0171435
900000		FILE: AAA00005140	MDL: -
		MTL: -	

**BALDOR ELECTRIC Co.**

3PH, DV, 9 LEADS

CD0005

Marketing maintained PDF of MN416:

<http://www.baldor.com/support/Literature/Load.ashx/MN416?ManNumber=MN416>