

**BALDOR<sup>®</sup> • RELIANCE** 

**Product Information Packet**

**DRX18324T**

**3HP,3470//2890RPM,3PH,60/50HZ,182T,XPFC,**

Part Detail							
Revision:	-	Status:	PRD/A	Change #:		Proprietary:	No
Type:	AC	Elec. Spec:	06WGY471	CD Diagram:	CD0005	Mfg Plant:	
Mech. Spec:		Layout:	06LY-000-044	Poles:	02	Created Date:	08-05-2019
Base:		Eff. Date:	08-09-2019	Leads:	9#16		

Specs			
Catalog Number:	DRX18324T	Duty Rating:	CONT
Enclosure:	XPFC	Electrically Isolated Bearing:	Not Electrically Isolated
Frame:	182T	Feedback Device:	NO FEEDBACK
Frame Material:	Iron	Heater Indicator:	No Heater
Output @ Frequency:	2.000 HP @ 50 HZ	Insulation Class:	F
	3.000 HP @ 60 HZ	Inverter Code:	Inverter Duty
Synchronous Speed @ Frequency:	3600 RPM @ 60 HZ	IP Rating:	NONE
Voltage @ Frequency:	230.0 V @ 60 HZ	KVA Code:	K
	190.0 V @ 50 HZ	Lifting Lugs:	Standard Lifting Lugs
	380.0 V @ 50 HZ	Locked Bearing Indicator:	Locked Bearing
	460.0 V @ 60 HZ	Motor Lead Termination:	Flying Leads
XP Class and Group:	CLI GP C,D	Motor Type:	0618M
XP Division:	Division I	Mounting Arrangement:	F1
Agency Approvals:	UR	Power Factor:	89
	CSA EEV	Product Family:	General Purpose
	CSA	Pulley Face Code:	Standard
Auxillary Box:	No Auxillary Box	Rodent Screen:	None
Auxillary Box Lead Termination:	None	RoHS Status:	ROHS NON-COMPLIANT

<b>Base Indicator:</b>	Rigid	<b>Shaft Ground Indicator:</b>	No Shaft Grounding
<b>Bearing Grease Type:</b>	Polyrex EM (-20F +300F)	<b>Shaft Rotation:</b>	Reversible
<b>Blower:</b>	None	<b>Speed Code:</b>	Single Speed
<b>Constant Torque Speed Range:</b>	6	<b>Motor Standards:</b>	NEMA
<b>Current @ Voltage:</b>	7.600 A @ 230.0 V	<b>Starting Method:</b>	Direct on line
	6.400 A @ 190.0 V	<b>Thermal Device - Bearing:</b>	None
	3.800 A @ 460.0 V	<b>Thermal Device - Winding:</b>	Normally Closed Thermostat
	3.200 A @ 380.0 V	<b>Vibration Sensor Indicator:</b>	No Vibration Sensor
<b>Design Code:</b>	B	<b>Winding Thermal 1:</b>	None
<b>Drip Cover:</b>	No Drip Cover	<b>Winding Thermal 2:</b>	None
		<b>XP Temp Code:</b>	T3C

Nameplate NP1401XPSLEV											
NO.					CC	010A					
S/N					TEMP CODE	T3C					
SPEC.	06-0000-0200				INV.TYPE	PWM					
CAT.NO.	DRX18324T				C HP FR	60		C HP TO	90		
HP	3//2				CT HZ FROM	6		CT HZ TO	60		
VOLTS	230/460//190/380				VT HZ FROM	6		VT HZ TO	60		
AMPS	7.6/3.8//6.4/3.2				MAG CUR	3.2/1.6					
RPM	3470//2890				MX RPM	5400					
HZ	60//50		PH	3		CL	F		NOM.EFF.	86.5	
SER.F.	1.00		DES	B		SL HZ	2.2		WK2	0.0795	
FRAME	182T		RATING	40C AMB-CONT							
	55C AMB @ 1.0SF										
	1.15SF SINEWAVE						NEMA MG-1 PT 5,IP55				

Parts List		
Part Number	Description	Quantity
SA372720	SA 06-0000-0200	1.000 EA
RA362473	RA 06-0000-0200	1.000 EA
LB1115N	LABEL,LIFTING DEVICE (ON ROLLS)	1.000 EA
LB1119N	WARNING LABEL	1.000 EA
LC0145B01	CONNECTION LABEL	1.000 EA
NP1401XPSLEV	SS XP INV UL CSA-EEV CC CL-I GP-C&D	1.000 EA
85XU0407S04	4X1/4 U DRIVE PIN STAINLESS	2.000 EA
MN416A01	TAG-INSTAL-MAINT no wire (2100/bx) 4/22	1.000 EA
LB1081F	ALUM XP CAUTION LABEL (FS PLANT ONLY-	1.000 EA
HW3201A05	3/8-16 EYEBOLT	1.000 EA
06FH1003A06	FH, XP W/GRSR	1.000 EA
51XN1032A14	10-32 X 0.875 HX WS SL SR	4.000 EA
34FN3002A02	EXTERNAL FAN, PLASTIC, .905/.907 HUB W/	1.000 EA
51XB0818A12	8-18X3/4 HXWSSLD SERTYB	1.000 EA
MJ1000A02	GREASE, MOBIL POLYREX EM - 124047	0.050 LB
06EP1709A08	FRONT XPFC 205 BRG GRP C W/ DRAIN (HW450	1.000 EA
10XN3118K20	5/16-18 X 1 1/4 GRADE 5 STEEL ZC PLATED	4.000 EA
HW1001A31	LOCKWASHER 5/16, ZINC PLT.591 OD, .319 I	4.000 EA
HW5100A05	WVY WSHR F/205 & 304 BRGS	1.000 EA
HW4500A01	1641B(ALEMITE)400 UNIV, GREASE FITT	1.000 EA
HW4500A19	1/4-28X1/4 SLOTTED PLUG F/S	1.000 EA
HW4506A02	BREATHER/DRAIN-EXP PROOF-.125-27 NPTF AI	1.000 EA
HW3022E05	.125 DIA X .500 ROLLED SPRING PIN	1.000 EA
36EP1718A16	PULLEY 206 BRG GROUP C W/GRSR, DRAIN & S	1.000 EA

Parts List (continued)		
Part Number	Description	Quantity
HW1001A31	LOCKWASHER 5/16, ZINC PLT.591 OD, .319 I	4.000 EA
10XN3118K20	5/16-18 X 1 1/4 GRADE 5 STEEL ZC PLATED	4.000 EA
HA2065A01	SLINGER, ALUM (AUTO)	1.000 EA
80XN1032A07	SET SCREW, HEX XOCK, ZN	1.000 EA
HW4500A01	1641B(ALEMITE)400 UNIV, GREASE FITT	1.000 EA
HW4500A19	1/4-28X1/4 SLOTTED PLUG F/S	1.000 EA
HW4506A02	BREATHER/DRAIN-EXP PROOF-.125-27 NPTF AI	1.000 EA
HW3022E05	.125 DIA X .500 ROLLED SPRING PIN	1.000 EA
07CB1000A02	CONDUIT BOX, MODEL 306,EXP. PROOF	1.000 EA
10XN2520A14	1/4 20X7/8 HX HD CAP	4.000 EA
HW1001A25	LOCKWASHER 1/4, ZINC PLT .493 OD, .255 I	4.000 EA
WD1000B17	T&B CX35TN OR L35P TERMINAL LUG	1.000 EA
11XW1032G06	10-32 X .38, TAPTITE II, HEX WSHR SLTD U	1.000 EA
07CB1502A01	CONDUIT BOX LID MACH (DUCTILE IRON)	1.000 EA
10XN2520K16	1/4-20 X 1" HX HD SCRW GRADE 5, ZINC P	4.000 EA
HW1001A25	LOCKWASHER 1/4, ZINC PLT .493 OD, .255 I	4.000 EA
MG1500Y02	WILKOPON PRIMER YELLOW	0.022 GA
MG1025G29	WILKOFASST, 789.229, DARK CHARCOAL GRAY	0.022 GA
36PA1001	PKG GRP, PRINT PK1017A06	1.000 EA
HW2501E16	KEY, 1/4 SQ X 1.750	1.000 EA

**AC Induction Motor Performance Data**

Record # 77882

Typical performance - not guaranteed values

<b>Winding: 06WGY471-R020</b>		<b>Type: 0618M</b>		<b>Enclosure: XPFC</b>	
<b>Nameplate Data</b>			<b>460 V, 60 Hz: High Voltage Connection</b>		
<b>Rated Output (HP)</b>		3	<b>Full Load Torque</b>		4.51 LB-FT
<b>Volts</b>	230/460//190/380		<b>Start Configuration</b>		direct on line
<b>Full Load Amps</b>	7.6/3.8//6.4/3.2		<b>Breakdown Torque</b>		25.5 LB-FT
<b>R.P.M.</b>	3470//2890		<b>Pull-up Torque</b>		9.08 LB-FT
<b>Hz</b>	60//50 Phase	3	<b>Locked-rotor Torque</b>		11.9 LB-FT
<b>NEMA Design Code</b>	B	<b>KVA Code</b>	K	<b>Starting Current</b>	29.3 A
<b>Service Factor (S.F.)</b>		1	<b>No-load Current</b>		1.64 A
<b>NEMA Nom. Eff.</b>	86.5	<b>Power Factor</b>	89	<b>Line-line Res. @ 25°C</b>	6.24 Ω
<b>Rating - Duty</b>	40C AMB-CONT		<b>Temp. Rise @ Rated Load</b>		45°C
			<b>Locked-rotor Power Factor</b>		59.2
			<b>Rotor inertia</b>		0.0795 LB-FT <sup>2</sup>

**Load Characteristics 460 V, 60 Hz, 3 HP**

<b>% of Rated Load</b>	<b>25</b>	<b>50</b>	<b>75</b>	<b>100</b>	<b>125</b>	<b>150</b>
<b>Power Factor</b>	47	70	81	87	90	91
<b>Efficiency</b>	81.1	86.6	87.4	86.6	85.2	83.1
<b>Speed</b>	3568	3538	3505	3468	3430	3382
<b>Line amperes</b>	1.82	2.29	2.94	3.71	4.53	5.5

**AC Induction Motor Performance Data**

Record # 77883

Typical performance - not guaranteed values

<b>Winding: 06WGY471-R020</b>		<b>Type: 0618M</b>		<b>Enclosure: XPFC</b>	
<b>Nameplate Data</b>			<b>380 V, 50 Hz: High Voltage Connection</b>		
<b>Rated Output (HP)</b>		3	<b>Full Load Torque</b>		3.61 LB-FT
<b>Volts</b>		230/460//190/380	<b>Start Configuration</b>		direct on line
<b>Full Load Amps</b>		7.6/3.8//6.4/3.2	<b>Breakdown Torque</b>		23.13 LB-FT
<b>R.P.M.</b>		3470//2890	<b>Pull-up Torque</b>		9.15 LB-FT
<b>Hz</b>		60//50 <b>Phase</b>	3	<b>Locked-rotor Torque</b>	11.99 LB-FT
<b>NEMA Design Code</b>		<b>B KVA Code</b>	K	<b>Starting Current</b>	27.03 A
<b>Service Factor (S.F.)</b>			1	<b>No-load Current</b>	1.6 A
<b>NEMA Nom. Eff.</b>		86.5 <b>Power Factor</b>	89	<b>Line-line Res. @ 25°C</b>	6.24 Ω
<b>Rating - Duty</b>		40C AMB-CONT		<b>Temp. Rise @ Rated Load</b>	36°C
				<b>Locked-rotor Power Factor</b>	65.7
				<b>Rotor inertia</b>	0.0795 LB-FT <sup>2</sup>

**Load Characteristics 380 V, 50 Hz, 2 HP**

<b>% of Rated Load</b>	<b>25</b>	<b>50</b>	<b>75</b>	<b>100</b>	<b>125</b>	<b>150</b>
<b>Power Factor</b>	44	65	78	84	88	90
<b>Efficiency</b>	73.4	81.5	84.1	84.1	83.2	81.7
<b>Speed</b>	2972	2947	2921	2890	2860	2821
<b>Line amperes</b>	1.73	2.09	2.58	3.18	3.82	4.57



Performance Graph at 380V, 50Hz, 2.0HP Typical performance - Not guaranteed values

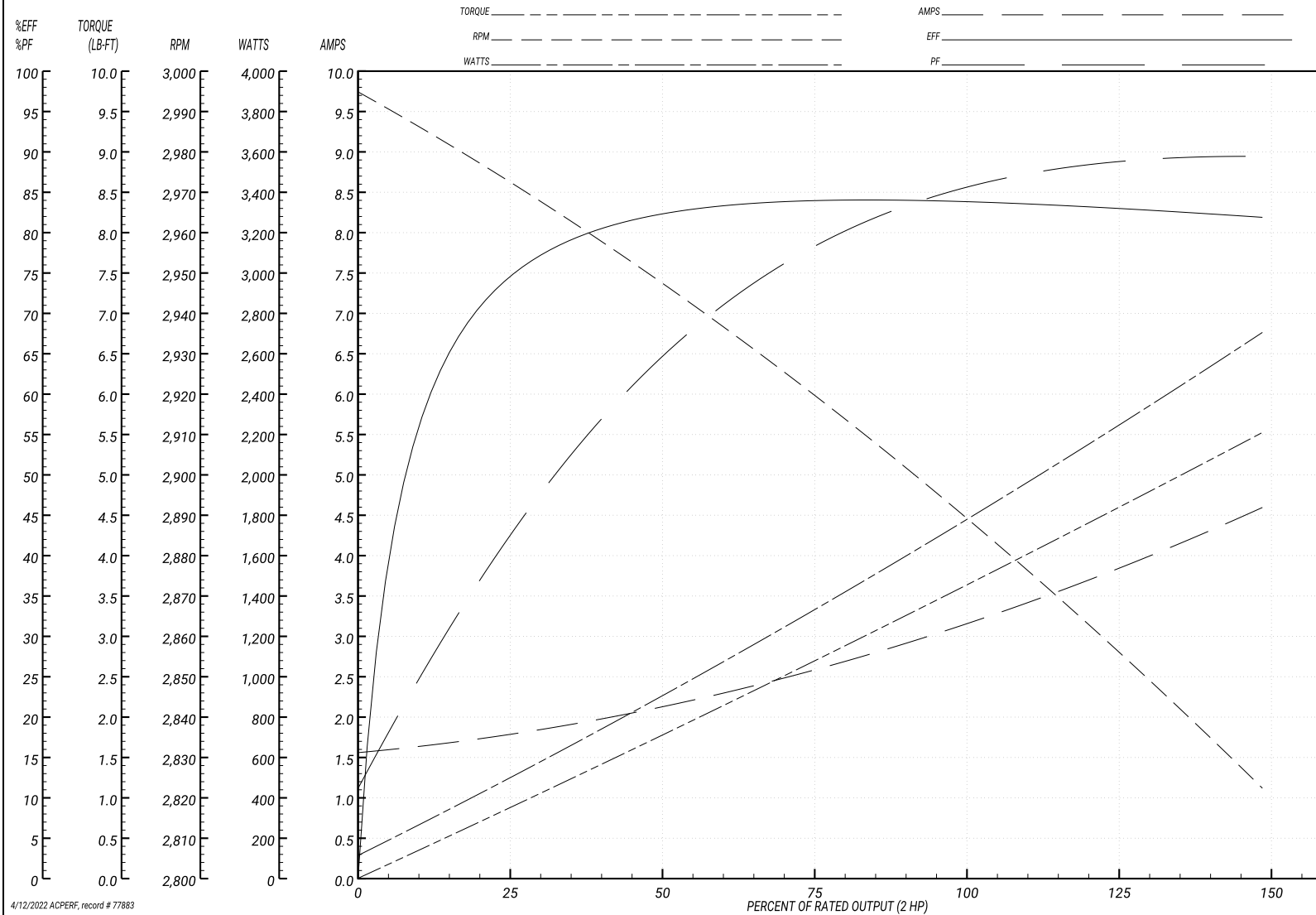
**BALDOR ELECTRIC COMPANY**

WINDING # 06WGY471

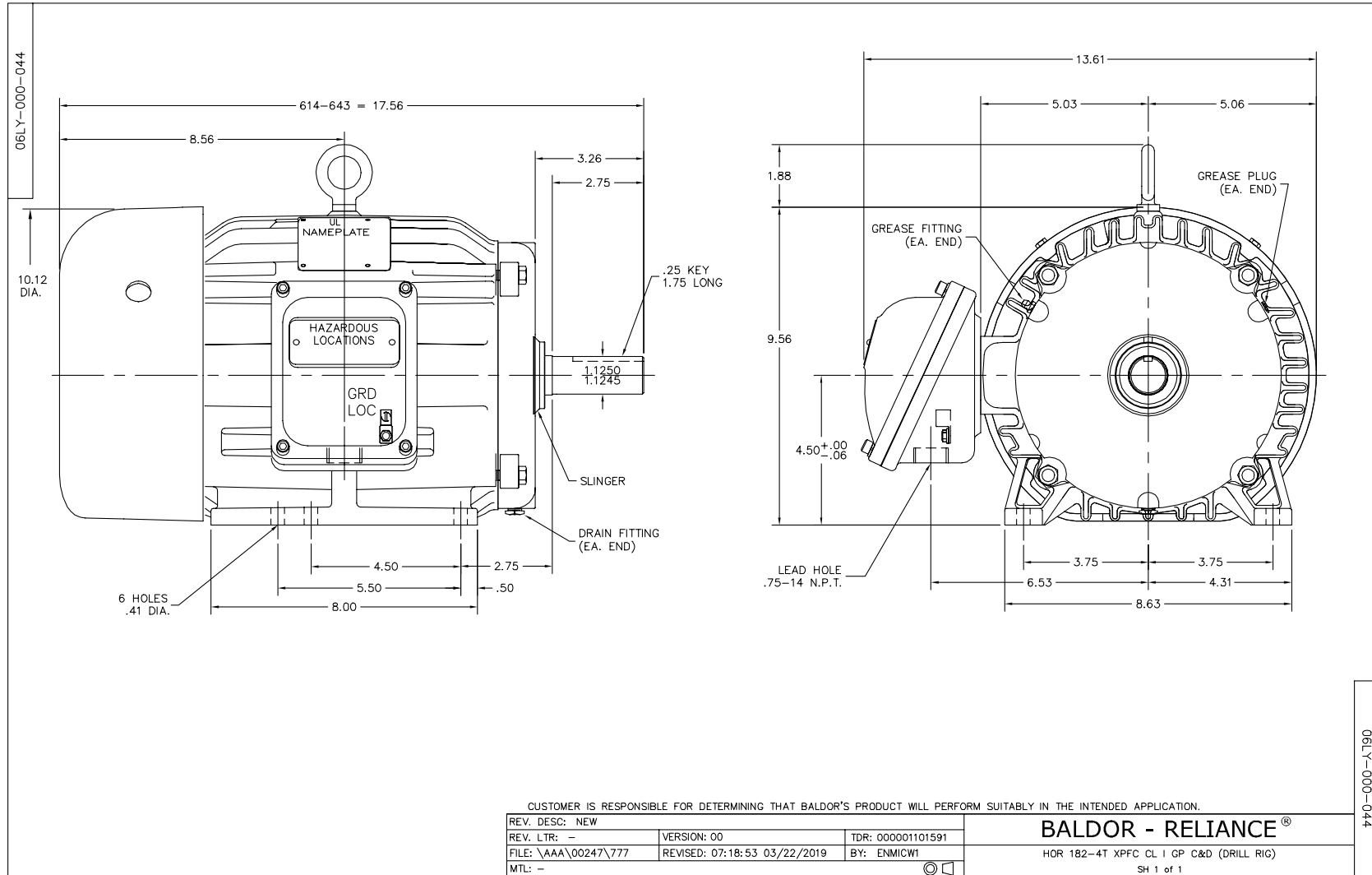
Typical performance - not guaranteed values.

2 HP 3 PH 50 HZ 2890 RPM 380 V 0618M

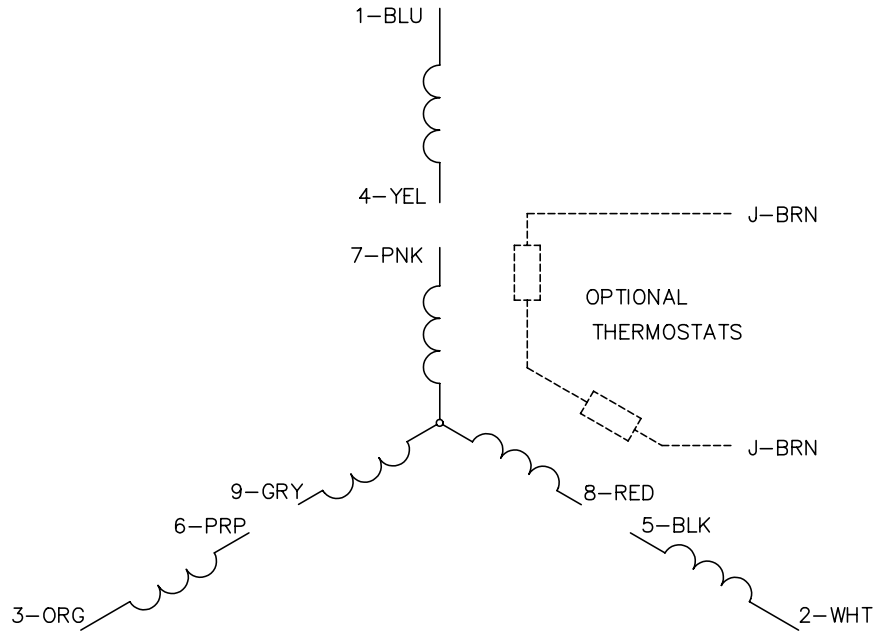
TORQUES(LB-FT): PO=23.13 PU=9.15 LR=11.99 LRA=27.03



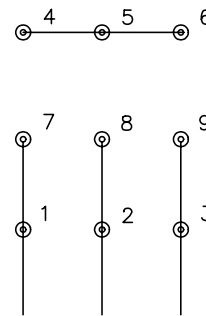
4/12/2022 ACPERF, record # 77883



CD0005

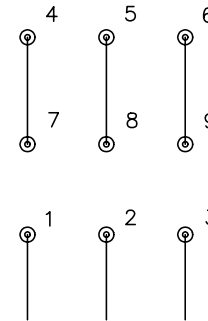


LOW VOLTAGE  
(2Y)



LINE

HIGH VOLTAGE  
(1Y)



LINE

NOTES:

1. INTERCHANGE ANY TWO LINE LEADS TO REVERSE ROTATION.
2. OPTIONAL THERMOSTATS ARE PROVIDED WHEN SPECIFIED.
3. ACTUAL NUMBER OF INTERNAL PARALLEL CIRCUITS MAY BE A MULTIPLE OF THOSE SHOWN ABOVE.
4. LEAD COLORS ARE OPTIONAL. LEADS MUST ALWAYS BE NUMBERED AS SHOWN.

REV. DESC: REVISE TO SHOW OPTIONAL COLORS			
REV. LTR: E	BY: JLP	REVISED: 01/19/99 10:15	TDR: 0171435
900000		FILE: AAA00005140	MDL: -
		MTL: -	

**BALDOR ELECTRIC Co.**

3PH, DV, 9 LEADS

CD0005

Marketing maintained PDF of MN416:

<http://www.baldor.com/support/Literature/Load.ashx/MN416?ManNumber=MN416>