

BALDOR® • RELIANCE 

Product Information Packet

DRX18544T

5HP, 1750//1450RPM, 3PH, 60HZ, 184T, XPFC, F1

Part Detail							
Revision:	C	Status:	PRD/A	Change #:		Proprietary:	No
Type:	AC	Elec. Spec:	06WGY545	CD Diagram:	CD0005	Mfg Plant:	
Mech. Spec:		Layout:	06LY-000-044	Poles:	04	Created Date:	03-22-2019
Base:		Eff. Date:	07-27-2020	Leads:	9#16		

Specs			
Catalog Number:	DRX18544T	Feedback Device:	NO FEEDBACK
Enclosure:	XPFC	Heater Indicator:	No Heater
Frame:	184T	Insulation Class:	F
Frame Material:	Iron	Inverter Code:	Inverter Duty
Output @ Frequency:	5.000 HP @ 60 HZ	IP Rating:	NONE
Synchronous Speed @ Frequency:	1800 RPM @ 60 HZ	KVA Code:	J
Voltage @ Frequency:	460.0 V @ 60 HZ	Lifting Lugs:	Standard Lifting Lugs
	230.0 V @ 60 HZ	Locked Bearing Indicator:	Locked Bearing
XP Class and Group:	CLI GP C,D	Motor Lead Termination:	Flying Leads
XP Division:	Division I	Motor Type:	0642M
Agency Approvals:	CSA	Mounting Arrangement:	F1
	CSA EEV	Power Factor:	81
	UR	Product Family:	General Purpose
Auxillary Box:	No Auxillary Box	Pulley Face Code:	Standard
Auxillary Box Lead Termination:	None	Rodent Screen:	None
Base Indicator:	Rigid	RoHS Status:	ROHS NON-COMPLIANT
Bearing Grease Type:	Polyrex EM (-20F +300F)	Shaft Ground Indicator:	No Shaft Grounding
Blower:	None	Shaft Rotation:	Reversible

Constant Torque Speed Range:	6	Speed Code:	Single Speed
Current @ Voltage:	6.600 A @ 460.0 V	Motor Standards:	NEMA
	5.100 A @ 380.0 V	Starting Method:	Direct on line
	13.200 A @ 230.0 V	Thermal Device - Bearing:	None
	10.200 A @ 190.0 V	Thermal Device - Winding:	Normally Closed Thermostat
Design Code:	B	Vibration Sensor Indicator:	No Vibration Sensor
Drip Cover:	No Drip Cover	Winding Thermal 1:	None
Duty Rating:	CONT	Winding Thermal 2:	None
Electrically Isolated Bearing:	Not Electrically Isolated	XP Temp Code:	T3C

Nameplate NP1401XPSLEV										
NO.						CC	010A			
S/N						TEMP CODE	T3C			
SPEC.	06-0000-0054					INV.TYPE	PWM			
CAT.NO.	DRX18544T					C HP FR	60	C HP TO	90	
HP	5//3					CT HZ FROM	6	CT HZ TO	60	
VOLTS	230/460//190/380					VT HZ FROM	6	VT HZ TO	60	
AMPS	13.2/6.6//10.2/5.1					MAG CUR	6/3			
RPM	1750//1450					MX RPM	2700			
HZ	60	PH	3	CL	F	NOM.EFF.	89.5			
SER.F.	1.00	DES	B	SL HZ	1.7	WK2	0.39			
FRAME	184T	RATING	40C AMB-CONT							
	55C AMB @ 1.0SF									
	1.15SF SINEWAVE					NEMA MG-1 PT 5,IP55				

Parts List		
Part Number	Description	Quantity
SA367984	SA 06-0000-0054	1.000 EA
RA357470	RA 06-0000-0054	1.000 EA
LB1115N	LABEL,LIFTING DEVICE (ON ROLLS)	1.000 EA
LB1119N	WARNING LABEL	1.000 EA
LC0145B01	CONNECTION LABEL	1.000 EA
NP1401XPSLEV	SS XP INV UL CSA-EEV CC CL-I GP-C&D	1.000 EA
85XU0407S04	4X1/4 U DRIVE PIN STAINLESS	2.000 EA
85XU0407S04	4X1/4 U DRIVE PIN STAINLESS	4.000 EA
MN416A01	TAG-INSTAL-MAINT no wire (2100/bx) 4/22	1.000 EA
LB1081F	ALUM XP CAUTION LABEL (FS PLANT ONLY-	1.000 EA
HW3201A05	3/8-16 EYEBOLT	1.000 EA
06FH1003A06	FH, XP W/GRSR	1.000 EA
51XN1032A14	10-32 X 0.875 HX WS SL SR	4.000 EA
34FN3002A02	EXTERNAL FAN, PLASTIC, .905/.907 HUB W/	1.000 EA
MJ1000A02	GREASE, MOBIL POLYREX EM - 124047	0.050 LB
06EP1709A08	FRONT XPFC 205 BRG GRP C W/ DRAIN (HW450	1.000 EA
10XN3118K20	5/16-18 X 1 1/4 GRADE 5 STEEL ZC PLATED	4.000 EA
HW1001A31	LOCKWASHER 5/16, ZINC PLT.591 OD, .319 I	4.000 EA
HW5100A05	WVY WSHR F/205 & 304 BRGS	1.000 EA
HW4500A01	1641B(ALEMITE)400 UNIV, GREASE FITT	1.000 EA
HW4500A19	1/4-28X1/4 SLOTTED PLUG F/S	1.000 EA
HW4506A02	BREATHER/DRAIN-EXP PROOF-.125-27 NPTF AI	1.000 EA
HW3022E05	.125 DIA X .500 ROLLED SPRING PIN	1.000 EA
36EP1718A16	PULLEY 206 BRG GROUP C W/GRSR, DRAIN & S	1.000 EA

Parts List (continued)		
Part Number	Description	Quantity
HW1001A31	LOCKWASHER 5/16, ZINC PLT.591 OD, .319 I	4.000 EA
10XN3118K20	5/16-18 X 1 1/4 GRADE 5 STEEL ZC PLATED	4.000 EA
HA2065A01	SLINGER, ALUM (AUTO)	1.000 EA
80XN1032A07	SET SCREW, HEX XOCK, ZN	1.000 EA
HW4500A01	1641B(ALEMITE)400 UNIV, GREASE FITT	1.000 EA
HW4500A19	1/4-28X1/4 SLOTTED PLUG F/S	1.000 EA
HW4506A02	BREATHER/DRAIN-EXP PROOF-.125-27 NPTF AI	1.000 EA
HW3022E05	.125 DIA X .500 ROLLED SPRING PIN	1.000 EA
07CB1000A02	CONDUIT BOX, MODEL 306,EXP. PROOF	1.000 EA
10XN2520A14	1/4 20X7/8 HX HD CAP	4.000 EA
HW1001A25	LOCKWASHER 1/4, ZINC PLT .493 OD, .255 I	4.000 EA
WD1000B17	T&B CX35TN OR L35P TERMINAL LUG	1.000 EA
11XW1032G06	10-32 X .38, TAPTITE II, HEX WSHR SLTD U	1.000 EA
07CB1502A01	CONDUIT BOX LID MACH (DUCTILE IRON)	1.000 EA
10XN2520K16	1/4-20 X 1" HX HD SCRW GRADE 5, ZINC P	4.000 EA
HW1001A25	LOCKWASHER 1/4, ZINC PLT .493 OD, .255 I	4.000 EA
MG1500Y02	WILKOPON PRIMER YELLOW	0.001 GA
MG1025G29	WILKOFASST, 789.229, DARK CHARCOAL GRAY	0.022 GA
37PA1074	PALLET PACK GRP, PRINT BOX PK1026A06	1.000 EA
HW2501E16	KEY, 1/4 SQ X 1.750	1.000 EA
HA7000A02	KEY RETAINER RING, 1 1/8 DIA, 1 3/8 DIA	1.000 EA

AC Induction Motor Performance Data

Record # 72834

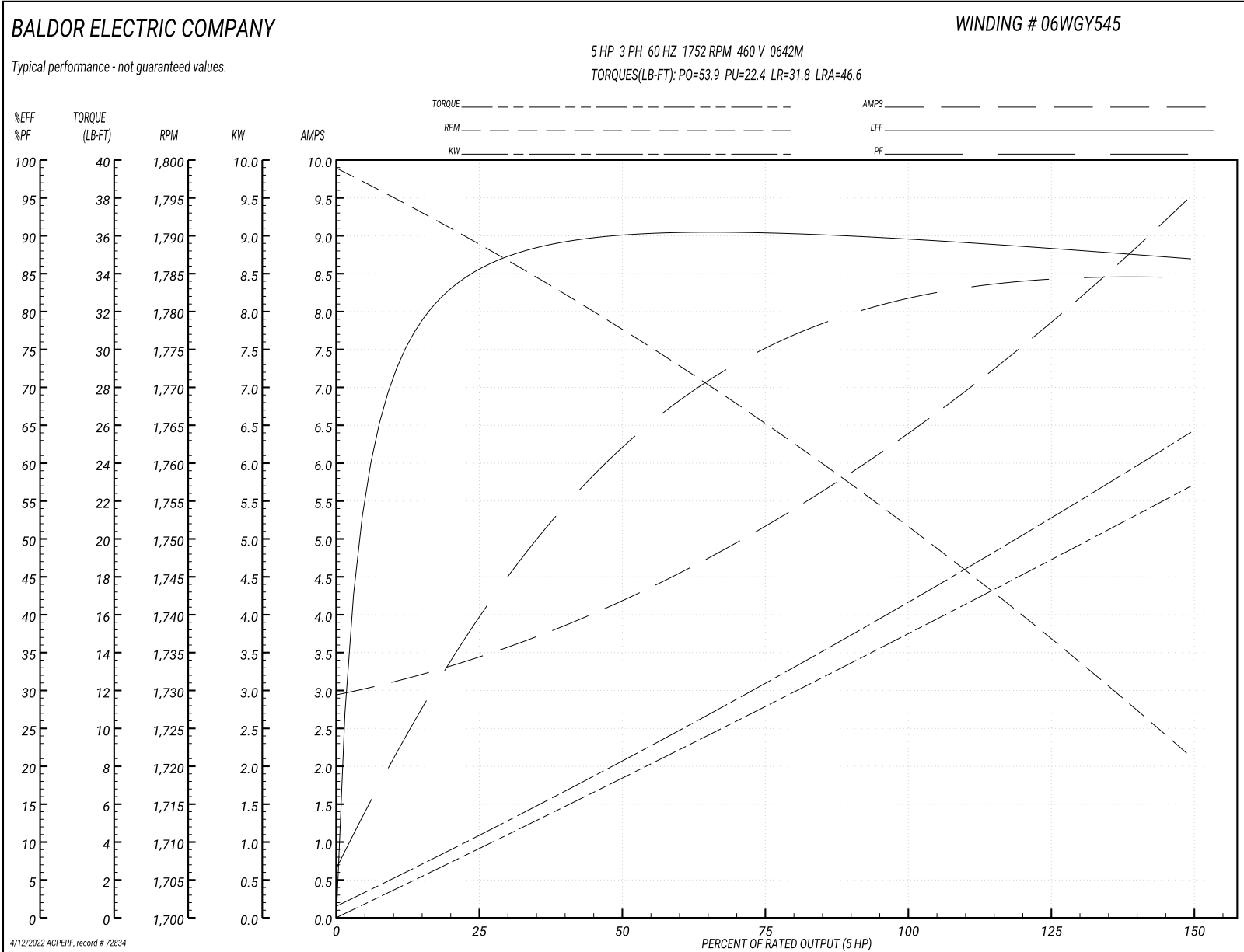
Typical performance - not guaranteed values

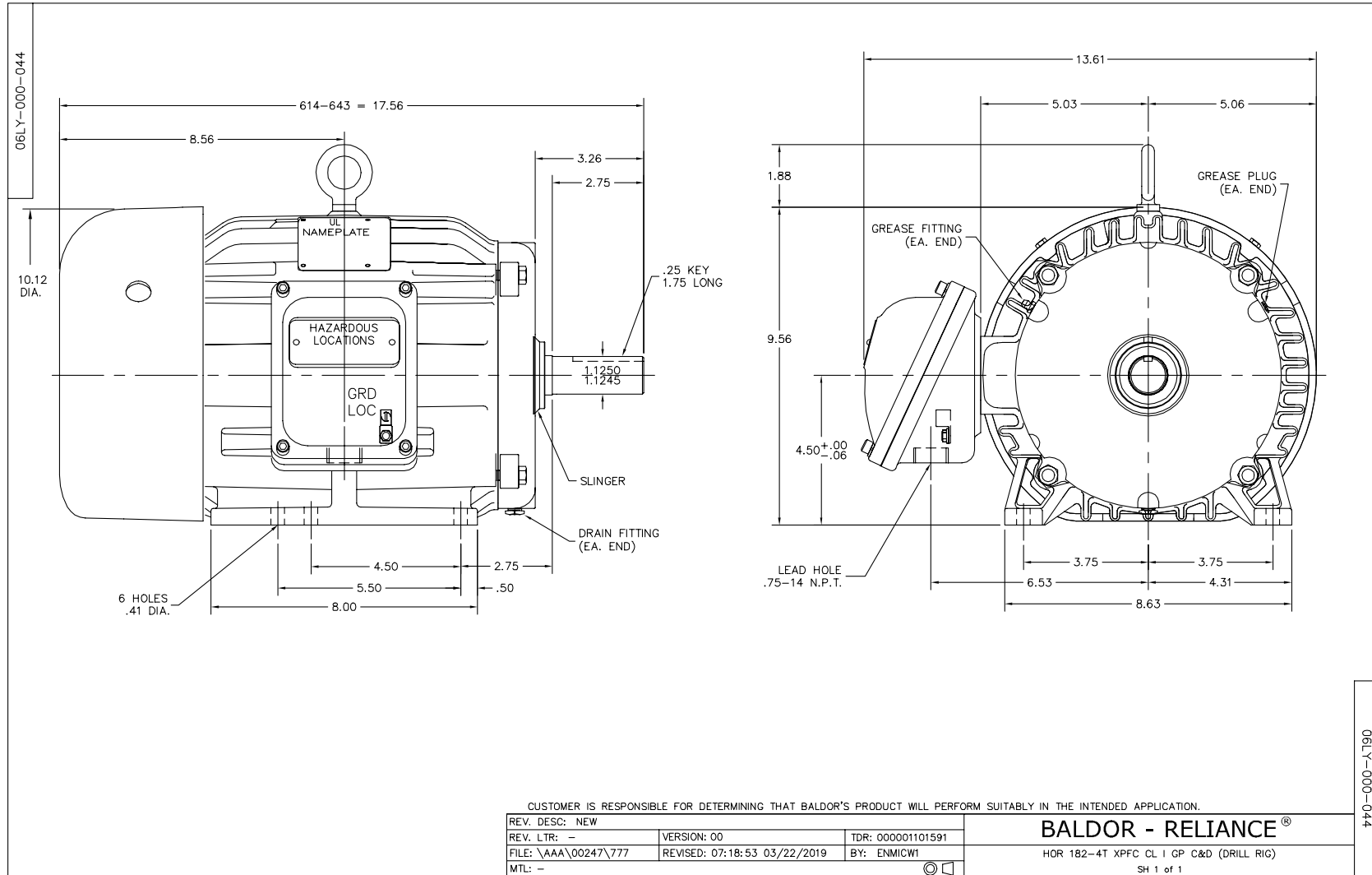
Winding: 06WGY545-R005		Type: 0642M		Enclosure: XPFC	
Nameplate Data			460 V, 60 Hz: High Voltage Connection		
Rated Output (HP)	5//3		Full Load Torque	15 LB-FT	
Volts	230/460//190/380		Start Configuration	direct on line	
Full Load Amps	13.2/6.6//10.2/5.1		Breakdown Torque	53.9 LB-FT	
R.P.M.	1750//1450		Pull-up Torque	22.4 LB-FT	
Hz	60//50	Phase	3	Locked-rotor Torque	31.8 LB-FT
NEMA Design Code	B KVA Code		J	Starting Current	46.6 A
Service Factor (S.F.)			1	No-load Current	3.02 A
NEMA Nom. Eff.	89.5	Power Factor	79	Line-line Res. @ 25°C	2.63 Ω
Rating - Duty	40C AMB-CONT			Temp. Rise @ Rated Load	53°C
				Locked-rotor Power Factor	40.5
				Rotor inertia	0.391 LB-FT ²

Load Characteristics 460 V, 60 Hz, 5 HP

% of Rated Load	25	50	75	100	125	150
Power Factor	41	63	75	81	84	85
Efficiency	85.1	89.7	90.3	89.8	88.4	86.8
Speed	1789	1777	1765	1752	1737	1721
Line amperes	3.35	4.14	5.21	6.45	7.91	9.47

Performance Graph at 460V, 60Hz, 5.0HP Typical performance - Not guaranteed values





CD0005

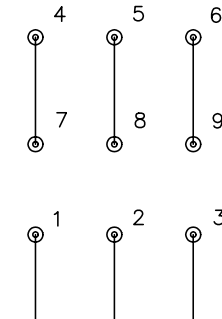


LOW VOLTAGE
(2Y)



LINE

HIGH VOLTAGE
(1Y)



LINE

NOTES:

1. INTERCHANGE ANY TWO LINE LEADS TO REVERSE ROTATION.
2. OPTIONAL THERMOSTATS ARE PROVIDED WHEN SPECIFIED.
3. ACTUAL NUMBER OF INTERNAL PARALLEL CIRCUITS MAY BE A MULTIPLE OF THOSE SHOWN ABOVE.
4. LEAD COLORS ARE OPTIONAL. LEADS MUST ALWAYS BE NUMBERED AS SHOWN.

REV. DESC: REVISE TO SHOW OPTIONAL COLORS			
REV. LTR: E	BY: JLP	REVISED: 01/19/99 10:15	TDR: 0171435
90000		FILE: AAA00005140	MDL: -
		MTL: -	

BALDOR ELECTRIC Co.

3PH, DV, 9 LEADS

CD0005

Marketing maintained PDF of MN416:

<http://www.baldor.com/support/Literature/Load.ashx/MN416?ManNumber=MN416>