

**BALDOR<sup>®</sup> • RELIANCE** 

**Product Information Packet**

**DRX21364T**

**3HP, 1165//970RPM, 3PH, 60HZ, 213T, XPFC, F1**

Part Detail							
Revision:	C	Status:	PRD/A	Change #:		Proprietary:	No
Type:	AC	Elec. Spec:	07WGX970	CD Diagram:	CD0005	Mfg Plant:	
Mech. Spec:		Layout:	07LYJ231	Poles:	06	Created Date:	04-01-2019
Base:		Eff. Date:	04-13-2021	Leads:	9#14		

Specs			
Catalog Number:	DRX21364T	Duty Rating:	CONT
Enclosure:	XPFC	Electrically Isolated Bearing:	Not Electrically Isolated
Frame:	213T	Feedback Device:	NO FEEDBACK
Frame Material:	Iron	Heater Indicator:	No Heater
Output @ Frequency:	2.000 HP @ 50 HZ	Insulation Class:	F
	3.000 HP @ 60 HZ	Inverter Code:	Inverter Duty
Synchronous Speed @ Frequency:	1200 RPM @ 60 HZ	IP Rating:	NONE
Voltage @ Frequency:	230.0 V @ 60 HZ	KVA Code:	K
	190.0 V @ 50 HZ	Lifting Lugs:	Standard Lifting Lugs
	380.0 V @ 50 HZ	Locked Bearing Indicator:	Locked Bearing
	460.0 V @ 60 HZ	Motor Lead Termination:	Flying Leads
XP Class and Group:	CLI GP C,D	Motor Type:	0736M
XP Division:	Division I	Mounting Arrangement:	F1
Agency Approvals:	UR	Power Factor:	72
	CSA EEV	Product Family:	General Purpose
	CSA	Pulley Face Code:	Standard
Auxillary Box:	No Auxillary Box	Rodent Screen:	None
Auxillary Box Lead Termination:	None	RoHS Status:	ROHS NON-COMPLIANT

<b>Base Indicator:</b>	Rigid	<b>Shaft Ground Indicator:</b>	No Shaft Grounding
<b>Bearing Grease Type:</b>	Polyrex EM (-20F +300F)	<b>Shaft Rotation:</b>	Reversible
<b>Blower:</b>	None	<b>Speed Code:</b>	Single Speed
<b>Constant Torque Speed Range:</b>	6	<b>Motor Standards:</b>	NEMA
<b>Current @ Voltage:</b>	9.000 A @ 230.0 V	<b>Starting Method:</b>	Direct on line
	7.600 A @ 190.0 V	<b>Thermal Device - Bearing:</b>	None
	4.500 A @ 460.0 V	<b>Thermal Device - Winding:</b>	Normally Closed Thermostat
	3.800 A @ 380.0 V	<b>Vibration Sensor Indicator:</b>	No Vibration Sensor
<b>Design Code:</b>	B	<b>Winding Thermal 1:</b>	None
<b>Drip Cover:</b>	No Drip Cover	<b>Winding Thermal 2:</b>	None
		<b>XP Temp Code:</b>	T3C

Nameplate NP1401XPSLEV										
NO.						CC	010A			
S/N						TEMP CODE	T3C			
SPEC.	07-0000-0057					INV.TYPE	PWM			
CAT.NO.	DRX21364T					C HP FR	60	C HP TO	90	
HP	3//2					CT HZ FROM	6	CT HZ TO	60	
VOLTS	230/460//190/380					VT HZ FROM	6	VT HZ TO	60	
AMPS	9/4.5//7.6/3.8					MAG CUR	4.8/2.4			
RPM	1165//970					MX RPM	2700			
HZ	60//50	PH	3	CL	F	NOM.EFF.	89.6			
SER.F.	1.00	DES	B	SL HZ	1.8	WK2	0.895			
FRAME	213T	RATING	40C AMB-CONT							
	55C AMB @ 1.0 SF									
	1.15 SF SINEWAVE					NEMA MG-1 PT 5,IP55				

Parts List		
Part Number	Description	Quantity
SA367918	SA 07-0000-0057	1.000 EA
RA357399	RA 07-0000-0057	1.000 EA
LB1115N	LABEL,LIFTING DEVICE (ON ROLLS)	1.000 EA
LB1119N	WARNING LABEL	1.000 EA
LC0145B01	CONNECTION LABEL	1.000 EA
NP1401XPSLEV	SS XP INV UL CSA-EEV CC CL-I GP-C&D	1.000 EA
85XU0407S04	4X1/4 U DRIVE PIN STAINLESS	2.000 EA
85XU0407S04	4X1/4 U DRIVE PIN STAINLESS	4.000 EA
MN416A01	TAG-INSTAL-MAINT no wire (2100/bx) 4/22	1.000 EA
LB1081F	ALUM XP CAUTION LABEL (FS PLANT ONLY-	1.000 EA
HW3201A05	3/8-16 EYEBOLT	1.000 EA
07FH1003A05	FAN HOUSING 307 EXPLOSION PROOF W/ GREAS	1.000 EA
10XN2520A12	1/4-20 X 3/4 HEX HEAD CAP	4.000 EA
37FN3002A01SP	EXFN, PLASTIC, 9.00 OD, 1.155 ID	1.000 EA
51XB1214A20	12-14X1.25 HXWSSLD SERTYB	1.000 EA
MJ1000A02	GREASE, MOBIL POLYREX EM - 124047	0.050 LB
07EP1707A17	FREP XP GR C W/DRAINS, GRSRS	1.000 EA
10XN3816K28	3/8-16 X 1.75 HEX HD CAP SCREW, GRADE 5	4.000 EA
HW1001A38	LOCKWASHER 3/8, ZINC PLT .688 OD, .382 I	4.000 EA
HW5100A06	W2420-025 WVY WSHR (WB)	1.000 EA
HW4500A01	1641B(ALEMITE)400 UNIV, GREASE FITT	1.000 EA
HW4500A19	1/4-28X1/4 SLOTTED PLUG F/S	1.000 EA
HW4506A02	BREATHER/DRAIN-EXP PROOF-.125-27 NPTF AI	1.000 EA
HW3022E05	.125 DIA X .500 ROLLED SPRING PIN	1.000 EA

Parts List (continued)		
Part Number	Description	Quantity
07EP1709A17	SPL PU ENDPLATE X-P W/DRAIN/LOCKED BEARI	1.000 EA
HW1001A38	LOCKWASHER 3/8, ZINC PLT .688 OD, .382 I	4.000 EA
10XN3816K28	3/8-16 X 1.75 HEX HD CAP SCREW, GRADE 5	4.000 EA
HA2065A02	SLINGER, ALUM MODLE 36 & 37 DRILL RIG MT	1.000 EA
80XN1032A07	SET SCREW, HEX XOCK, ZN	1.000 EA
10XN2520A36	1/4-20X 2 1/4 HEX HD X	4.000 EA
HW1001A25	LOCKWASHER 1/4, ZINC PLT .493 OD, .255 I	4.000 EA
HW4500A01	1641B(ALEMITE)400 UNIV, GREASE FITT	1.000 EA
HW4500A19	1/4-28X1/4 SLOTTED PLUG F/S	1.000 EA
HW4506A02	BREATHER/DRAIN-EXP PROOF-.125-27 NPTF AI	1.000 EA
HW3022E05	.125 DIA X .500 ROLLED SPRING PIN	1.000 EA
07CB1000A01	CONDUIT BOX MACH	1.000 EA
10XN3118A16	5/16-18X1 HEX HD CAP	4.000 EA
WD1000B17	T&B CX35TN OR L35P TERMINAL LUG	1.000 EA
11XW1032G06	10-32 X .38, TAPTITE II, HEX WSHR SLTD U	1.000 EA
07CB1502A01	CONDUIT BOX LID MACH (DUCTILE IRON)	1.000 EA
84XN2520J16	1/4-20 X 1 SOC HD CAP SCREW	4.000 EA
MG1500Y02	WILKOPON PRIMER YELLOW	0.001 GA
MG1025G29	WILKOFASST, 789.229, DARK CHARCOAL GRAY	0.022 GA
07PA1011	PKG GRP, 07 CAST IRON PK1181	1.000 EA
10XL3808A28	3/8 X 1 3/4" LAG SCREW	2.000 EA
HW2501F21	KEY, 5/16 SQ X 2.375	1.000 EA
HA7000A02	KEY RETAINER RING, 1 1/8 DIA, 1 3/8 DIA	1.000 EA
MJ5001A27	32220KN GRAY SEALER *MIN BUY 4 QTS=1GAL	0.001 QT

**AC Induction Motor Performance Data**

Record # 74893

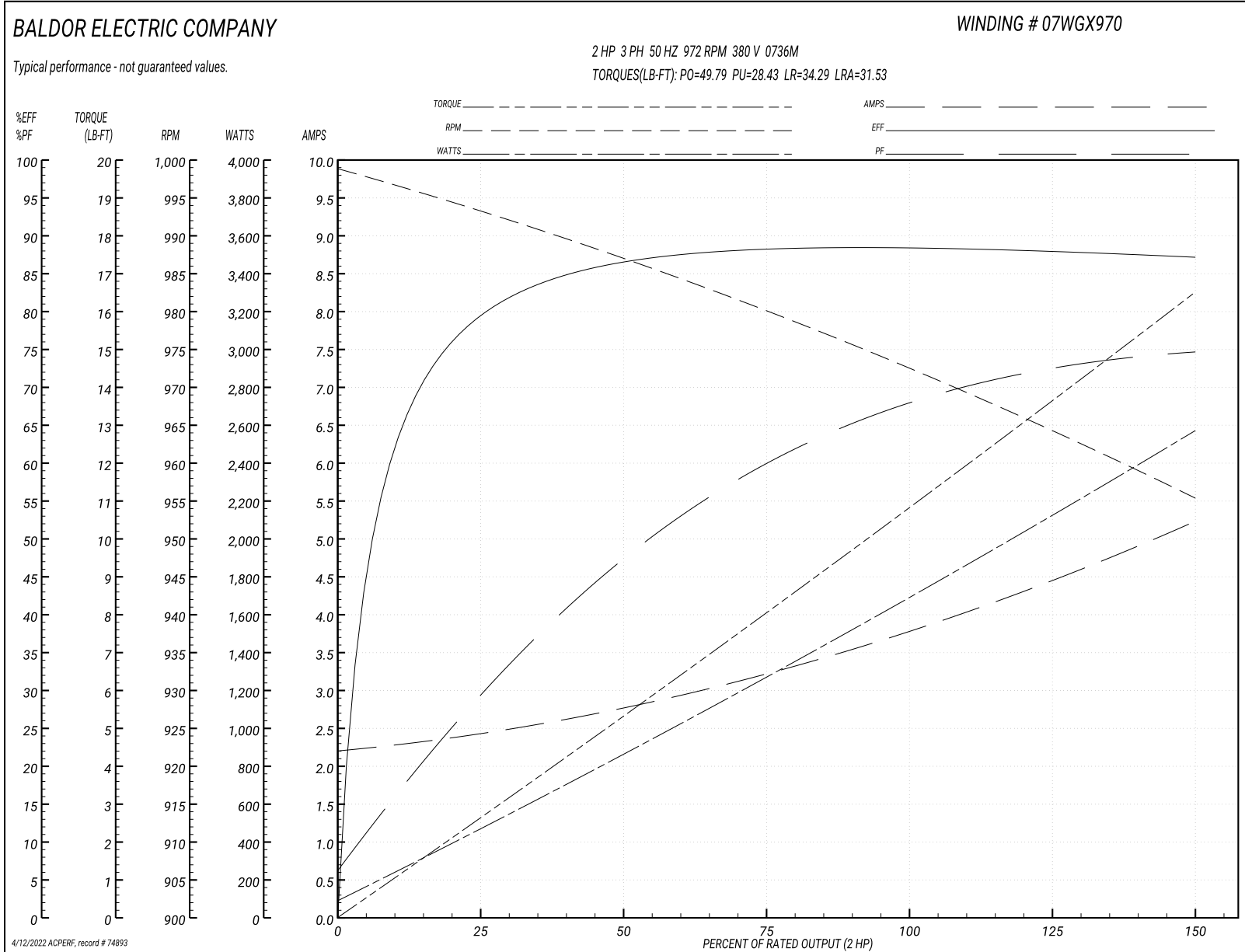
Typical performance - not guaranteed values

<b>Winding: 07WGX970-R005</b>		<b>Type: 0736M</b>		<b>Enclosure: TEFC</b>	
<b>Nameplate Data</b>			<b>380 V, 50 Hz: High Voltage Connection</b>		
<b>Rated Output (HP)</b>		3	<b>Full Load Torque</b>		10.88 LB-FT
<b>Volts</b>		230/460//190/380	<b>Start Configuration</b>		direct on line
<b>Full Load Amps</b>		9/4.5//7.6/3.8	<b>Breakdown Torque</b>		49.79 LB-FT
<b>R.P.M.</b>		1165//970	<b>Pull-up Torque</b>		28.43 LB-FT
<b>Hz</b>	60//50	<b>Phase</b>	3	<b>Locked-rotor Torque</b>	34.29 LB-FT
<b>NEMA Design Code</b>		<b>B KVA Code</b>	K	<b>Starting Current</b>	31.53 A
<b>Service Factor (S.F.)</b>			1	<b>No-load Current</b>	2.23 A
<b>NEMA Nom. Eff.</b>	89.6	<b>Power Factor</b>	72	<b>Line-line Res. @ 25°C</b>	3 Ω
<b>Rating - Duty</b>			40C AMB-CONT	<b>Temp. Rise @ Rated Load</b>	27°C
<b>S.F. Amps</b>				<b>Temp. Rise @ S.F. Load</b>	32°C
				<b>Locked-rotor Power Factor</b>	26.9
				<b>Rotor inertia</b>	0.895 LB-FT <sup>2</sup>

**Load Characteristics 380 V, 50 Hz, 2 HP**

<b>% of Rated Load</b>	<b>25</b>	<b>50</b>	<b>75</b>	<b>100</b>	<b>125</b>	<b>150</b>
<b>Power Factor</b>	30	48	60	67	72	75
<b>Efficiency</b>	79	86.1	88.2	88.5	88.3	86.9
<b>Speed</b>	993	987	980	972	965	955
<b>Line amperes</b>	2.4	2.75	3.24	3.82	4.46	5.22

Performance Graph at 380V, 50Hz, 2.0HP Typical performance - Not guaranteed values





**AC Induction Motor Performance Data**

Record # 74894

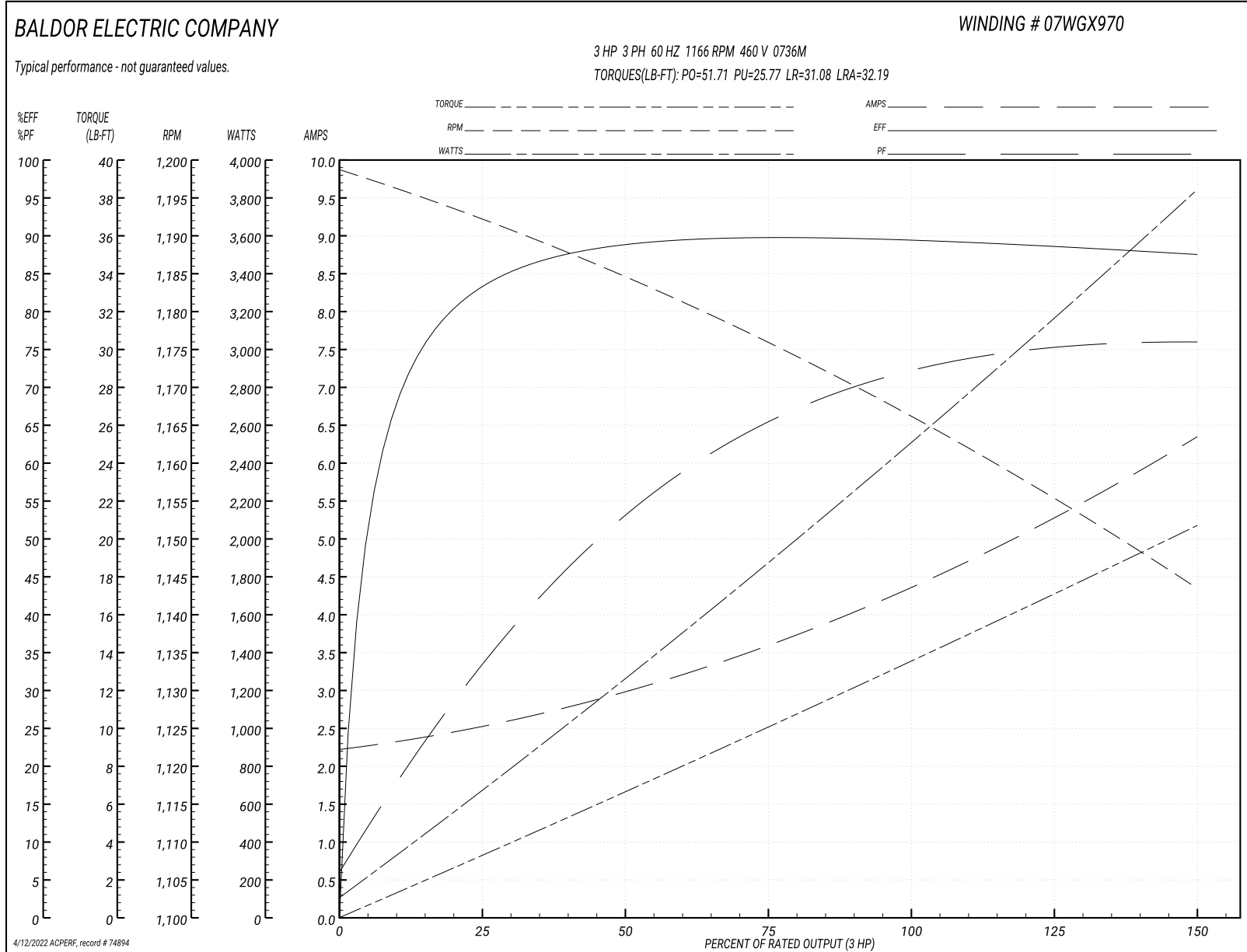
Typical performance - not guaranteed values

<b>Winding: 07WGX970-R005</b>		<b>Type: 0736M</b>		<b>Enclosure: TEFC</b>	
<b>Nameplate Data</b>			<b>460 V, 60 Hz: High Voltage Connection</b>		
<b>Rated Output (HP)</b>	3//2		<b>Full Load Torque</b>	13.61 LB-FT	
<b>Volts</b>	230/460//190/380		<b>Start Configuration</b>	direct on line	
<b>Full Load Amps</b>	9/4.5//7.6/3.8		<b>Breakdown Torque</b>	51.71 LB-FT	
<b>R.P.M.</b>	1165//970		<b>Pull-up Torque</b>	25.77 LB-FT	
<b>Hz</b>	60//50	<b>Phase</b>	3	<b>Locked-rotor Torque</b>	31.08 LB-FT
<b>NEMA Design Code</b>	B	<b>KVA Code</b>	K	<b>Starting Current</b>	32.19 A
<b>Service Factor (S.F.)</b>	1		<b>No-load Current</b>	2.26 A	
<b>NEMA Nom. Eff.</b>	89.6	<b>Power Factor</b>	72	<b>Line-line Res. @ 25°C</b>	3 Ω
<b>Rating - Duty</b>	40C AMB-CONT		<b>Temp. Rise @ Rated Load</b>	34°C	
<b>S.F. Amps</b>			<b>Temp. Rise @ S.F. Load</b>	41°C	
			<b>Locked-rotor Power Factor</b>	23.3	
			<b>Rotor inertia</b>	0.895 LB-FT <sup>2</sup>	

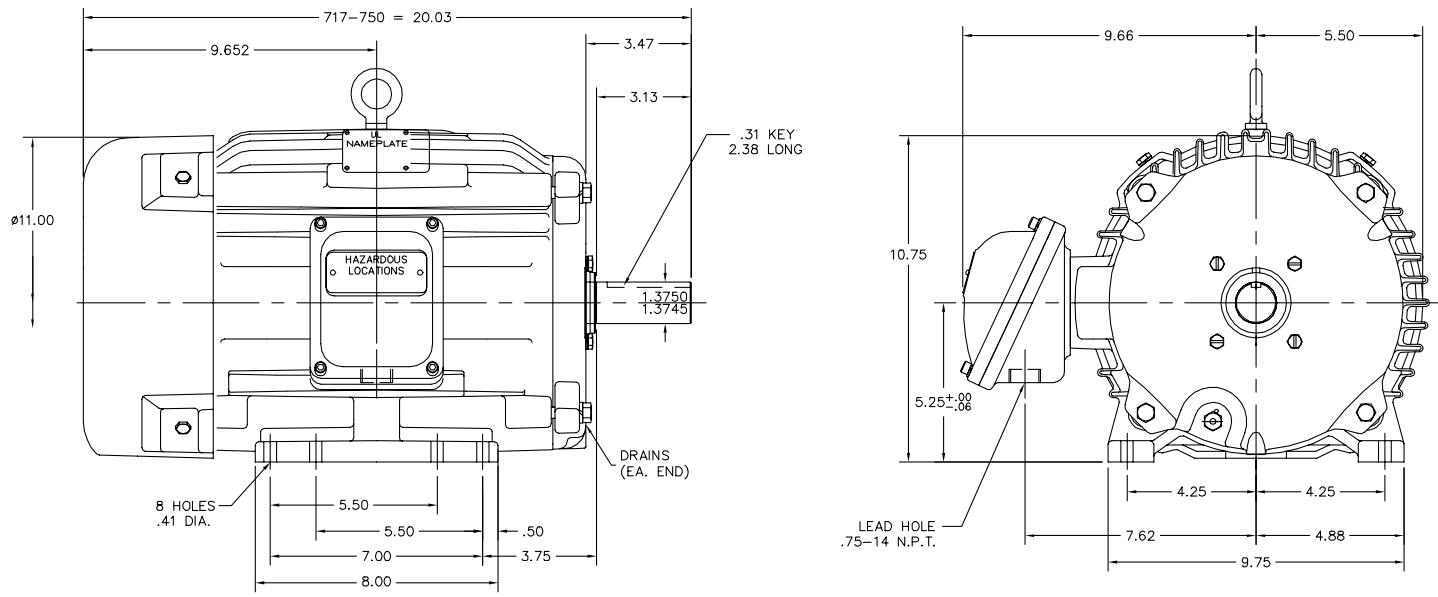
**Load Characteristics 460 V, 60 Hz, 3 HP**

<b>% of Rated Load</b>	<b>25</b>	<b>50</b>	<b>75</b>	<b>100</b>	<b>125</b>	<b>150</b>
<b>Power Factor</b>	35	54	65	72	75	76
<b>Efficiency</b>	82.8	88.3	89.6	89.6	88.9	87.3
<b>Speed</b>	1192	1184	1176	1166	1156	1143
<b>Line amperes</b>	2.48	2.96	3.62	4.41	5.29	6.33

Performance Graph at 460V, 60Hz, 3.0HP Typical performance - Not guaranteed values



07LYJ231



07LYJ231

CUSTOMER IS RESPONSIBLE FOR DETERMINING THAT BALDOR'S PRODUCT WILL PERFORM SUITABLY IN THE INTENDED APPLICATION.

REV. DESC: ADD DRAIN LEADER TO LAYOUT			TDR: 000000934411
REV. LTR: D	VERSION: 02		
FILE: \AAA\00076\166	REVISED: 11:03:16 07/14/2015	BY: ENALEMO	
MTL: -			

**BALDOR**

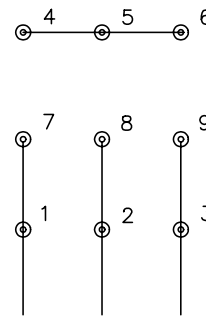
HDRZ 213-5T XPFC X307M CL 1-GP C&D - DRILL RIG MOTOR

SH 1 of 1

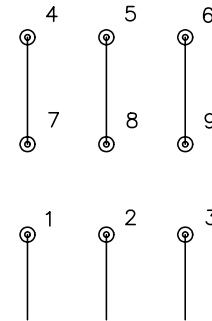
CD0005



LOW VOLTAGE  
(2Y)



HIGH VOLTAGE  
(1Y)



NOTES:

1. INTERCHANGE ANY TWO LINE LEADS TO REVERSE ROTATION.
2. OPTIONAL THERMOSTATS ARE PROVIDED WHEN SPECIFIED.
3. ACTUAL NUMBER OF INTERNAL PARALLEL CIRCUITS MAY BE A MULTIPLE OF THOSE SHOWN ABOVE.
4. LEAD COLORS ARE OPTIONAL. LEADS MUST ALWAYS BE NUMBERED AS SHOWN.

REV. DESC: REVISE TO SHOW OPTIONAL COLORS			
REV. LTR: E	BY: JLP	REVISED: 01/19/99 10:15	TDR: 0171435
900000		FILE: AAA00005140	MDL: -
		MTL: -	

**BALDOR ELECTRIC Co.**

3PH, DV, 9 LEADS

CD0005

Marketing maintained PDF of MN416:

<http://www.baldor.com/support/Literature/Load.ashx/MN416?ManNumber=MN416>