

BALDOR® • RELIANCE 

Product Information Packet

DRX282544T-5

25HP, 1775RPM, 3PH, 60HZ, 284T, XPFC, F1

Part Detail							
Revision:	E	Status:	PRD/A	Change #:		Proprietary:	No
Type:	AC	Elec. Spec:	10WGZ693	CD Diagram:	CD0006	Mfg Plant:	
Mech. Spec:		Layout:	10LYE950	Poles:	04	Created Date:	07-18-2019
Base:		Eff. Date:	01-05-2021	Leads:	3#8		

Specs			
Catalog Number:	DRX282544T-5	Insulation Class:	F
Enclosure:	XPFC	Inverter Code:	Inverter Duty
Frame:	284T	IP Rating:	NONE
Frame Material:	Iron	KVA Code:	J
Output @ Frequency:	25.000 HP @ 60 HZ	Lifting Lugs:	Standard Lifting Lugs
Synchronous Speed @ Frequency:	1800 RPM @ 60 HZ	Locked Bearing Indicator:	Locked Bearing
Voltage @ Frequency:	575.0 V @ 60 HZ	Motor Lead Termination:	Flying Leads
XP Class and Group:	CLI GP C,D	Motor Type:	1054M
XP Division:	Division I	Mounting Arrangement:	F1
Agency Approvals:	CSA	Power Factor:	81
	CSA EEV	Product Family:	Hazardous Location Motor
	UR	Pulley Face Code:	Standard
Auxillary Box:	No Auxillary Box	Rodent Screen:	None
Auxillary Box Lead Termination:	None	RoHS Status:	ROHS NON-COMPLIANT
Base Indicator:	Rigid	Shaft Ground Indicator:	No Shaft Grounding
Bearing Grease Type:	Polyrex EM (-20F +300F)	Shaft Rotation:	Reversible
Blower:	None	Speed Code:	Single Speed
Constant Torque Speed Range:	6	Motor Standards:	NEMA

Current @ Voltage:	25.000 A @ 575.0 V	Starting Method:	Direct on line
Design Code:	A	Thermal Device - Bearing:	None
Drip Cover:	No Drip Cover	Thermal Device - Winding:	Normally Closed Thermostat
Duty Rating:	CONT	Vibration Sensor Indicator:	No Vibration Sensor
Electrically Isolated Bearing:	Not Electrically Isolated	Winding Thermal 1:	None
Feedback Device:	NO FEEDBACK	Winding Thermal 2:	None
Heater Indicator:	No Heater	XP Temp Code:	T3C

Nameplate NP1401XPSLEV											
NO.					CC	010A					
S/N					TEMP CODE	T3C					
SPEC.	10-0000-0936				INV.TYPE	PWM					
CAT.NO.	DRX282544T-5				C HP FR	60		C HP TO	90		
HP	25				CT HZ FROM	6		CT HZ TO	60		
VOLTS	575				VT HZ FROM	6		VT HZ TO	60		
AMPS	25				MAG CUR	11.1					
RPM	1775				MX RPM	2700					
HZ	60		PH	3		CL	F				
SER.F.	1.00		DES	A		SL HZ	0.83		NOM.EFF.	93.6	
FRAME	284T		RATING	40C AMB-CONT		WK2	4.13				
	55C AMB @ 1.0 SF, 60C RISE										
	1.15SF ON SINEWAVE				NEMA MG-1 PT.5,IP55						

Parts List		
Part Number	Description	Quantity
SA371979	SA 10-0000-0936	1.000 EA
RA361701	RA 10-0000-0936	1.000 EA
LB1115N	LABEL,LIFTING DEVICE (ON ROLLS)	1.000 EA
LB1119N	WARNING LABEL	1.000 EA
LC0006	CONNECTION LABEL	1.000 EA
LB1417	LABEL CARTON 6X4 PERFORATED BLANK ROLLS	1.000 EA
NP1401XPSLEV	SS XP INV UL CSA-EEV CC CL-I GP-C&D	1.000 EA
85XU0407S04	4X1/4 U DRIVE PIN STAINLESS	2.000 EA
85XU0407S04	4X1/4 U DRIVE PIN STAINLESS	4.000 EA
MN416A01	TAG-INSTAL-MAINT no wire (2100/bx) 4/22	1.000 EA
LB1081C	ALUM XP CAUTION LABEL (COL PLANT ONLY-	1.000 EA
10FH1008A01P	310 FAN HOUSING X-PROOF MACH. W/EPOXY PR	1.000 EA
HW1001A31	LOCKWASHER 5/16, ZINC PLT.591 OD, .319 I	3.000 EA
10XN3118K12	5/16-18 X .75 GRADE 5, ZINC PLATED	3.000 EA
09FN3001C02	EXTERNAL FAN, PLASTIC (COMES W/SCREW FRO	1.000 EA
HW2500A25	WOODRUFF KEY USA #1008 #BLOW CARBON STEE	1.000 EA
MJ1000A02	GREASE, MOBIL POLYREX EM - 124047	0.130 LB
WD4100A03	DE-750 HEYCO PLUG 62MP0750 MICRO PLASTIC	1.000 EA
10EP1701A57P	FR ENDPLATE, MACH	1.000 EA
HA3050A03	3/8-16 X 2.25" GRADE 8 BOLT	4.000 EA
HW1001A38	LOCKWASHER 3/8, ZINC PLT .688 OD, .382 I	4.000 EA
HA2066A02	SLINGER, ALUM (AUTO)	1.000 EA
80XN1032A06	10-32 X 3/8 SET SC HEX SOCK	2.000 EA
HW5100A11	W3917-042 WVY WSHR (WB)	1.000 EA

Parts List (continued)		
Part Number	Description	Quantity
HW4500A20	1/8NPT SL PIPE PLUG	2.000 EA
HW4505A02	BREATHER/DRAIN-EXP PROOF-.250-18 PTF AIS	1.000 EA
HW3023E06	.125 X .625 SPIRAL SPRING PIN	1.000 EA
10EP1709A12P	PUEP, XP (CL.I,GP.D ONLY) AL SLNGR, HW45	1.000 EA
HW1001A38	LOCKWASHER 3/8, ZINC PLT .688 OD, .382 I	4.000 EA
HA3050A03	3/8-16 X 2.25" GRADE 8 BOLT	4.000 EA
HA2067A01	ALUM SLINGER (AUTO)	1.000 EA
80XN1032A06	10-32 X 3/8 SET SC HEX SOCK	2.000 EA
10XN2520K40	1/4-20 X 2-1/2 HEX HD CAPSCREW, GRADE 5,Z	4.000 EA
HW4500A20	1/8NPT SL PIPE PLUG	2.000 EA
HW4505A02	BREATHER/DRAIN-EXP PROOF-.250-18 PTF AIS	1.000 EA
HW3023E06	.125 X .625 SPIRAL SPRING PIN	1.000 EA
12CB1003A02P	KOBX, MACH 1.50 NPT GROUP C MTRS ,EPOXY	1.000 EA
10XN3118K24	5/16-18 X 1.50" HEX HD, GRADE 5	4.000 EA
HW1001A31	LOCKWASHER 5/16, ZINC PLT.591 OD, .319 I	4.000 EA
WD1000B19	TERMINAL BURNDY L250HP	1.000 EA
10XN3816K12	3/8-16 X 3/4 HEX HD CAP GRADE 5	1.000 EA
HW1001A38	LOCKWASHER 3/8, ZINC PLT .688 OD, .382 I	1.000 EA
12CB1502A01P	CONDUIT BOX LID MACH. GROUP C MTRS	1.000 EA
84XN5013J32	SOCKET HD.CAP SCR,1/2-13 X 2"LG,ALLOY ST	10.000 EA
HW1001A50	LOCKWASHER 1/2, ZINC PLT.,.879 OD, .509 I	10.000 EA
MG1025G29	WILKOFAS, 789.229, DARK CHARCOAL GRAY	0.125 GA
14PA1000	PACKAGING 314 GROUP COMBINED PRINT	1.000 EA
HW2501H28	KEY, 1/2 SQ X 3.250	1.000 EA

MJ5001A27	32220KN GRAY SEALER *MIN BUY 4 QTS=1GAL	0.001 QT
-----------	-----------------------------------------	----------

AC Induction Motor Performance Data

Record # 77592

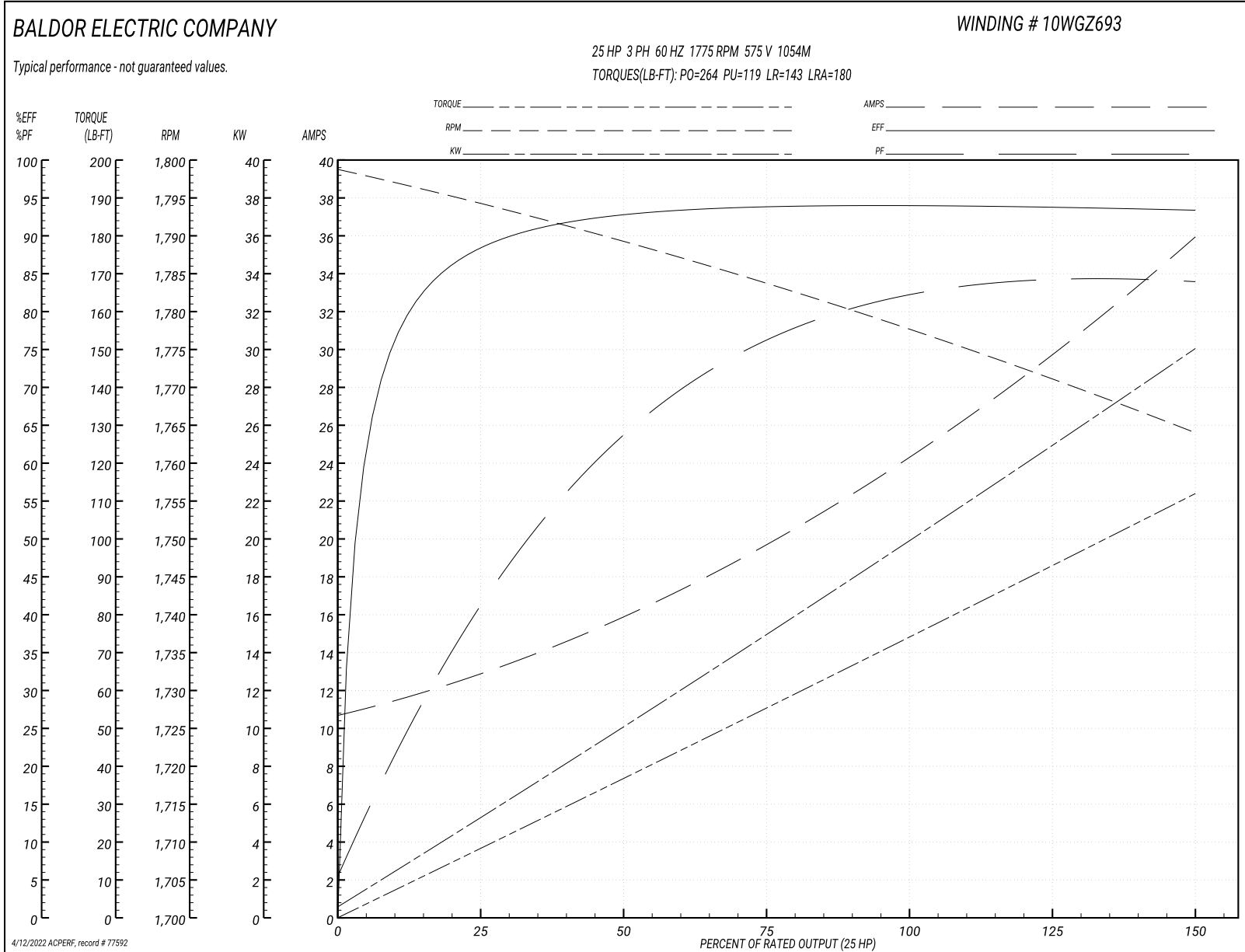
Typical performance - not guaranteed values

Winding: 10WGZ693-R001		Type: 1054M	Enclosure: TEFC	
Nameplate Data			575 V, 60 Hz: Single Voltage Motor	
Rated Output (HP)	25	Full Load Torque	74.06 LB-FT	
Volts	575	Start Configuration	direct on line	
Full Load Amps	25	Breakdown Torque	264 LB-FT	
R.P.M.	1775	Pull-up Torque	119 LB-FT	
Hz	60 Phase	Locked-rotor Torque	143 LB-FT	
NEMA Design Code	A KVA Code	Starting Current	180 A	
Service Factor (S.F.)	1.15	No-load Current	11.06 A	
NEMA Nom. Eff.	93.6 Power Factor	Line-line Res. @ 25°C	0.361 Ω	
Rating - Duty	40C AMB-CONT	Temp. Rise @ Rated Load	51°C	
S.F. Amps		Temp. Rise @ S.F. Load	61°C	
		Locked-rotor Power Factor	30.6	
		Rotor inertia	4.31 LB-FT ²	

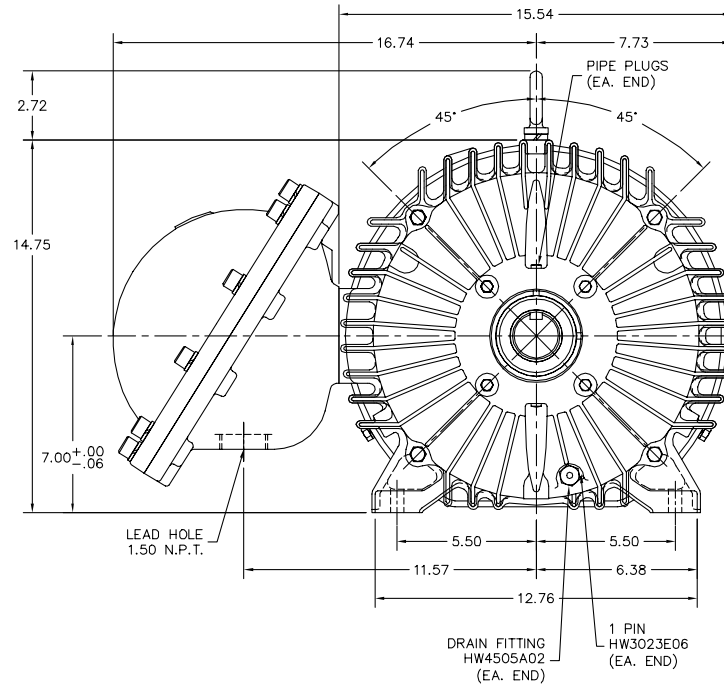
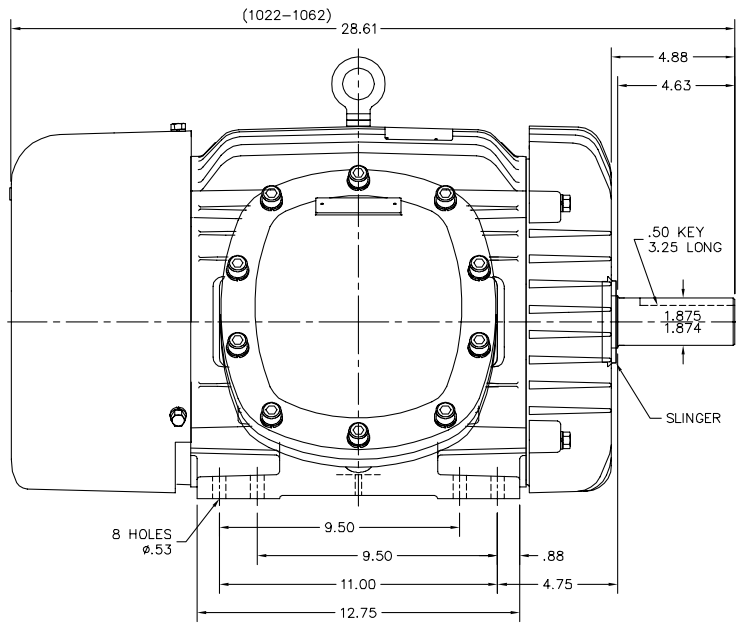
Load Characteristics 575 V, 60 Hz, 25 HP

% of Rated Load	25	50	75	100	125	150	S.F.
Power Factor	43	65	76	81	84	85	83
Efficiency	88.3	92.7	93.8	94	93.7	93.4	93.8
Speed	1794	1789	1784	1778	1771	1764	1774
Line amperes	12.42	15.58	19.81	24.6	29.86	35.67	27.8

Performance Graph at 575V, 60Hz, 25.0HP Typical performance - Not guaranteed values



10LYE950



10LYE950

CUSTOMER IS RESPONSIBLE FOR DETERMINING THAT BALDOR'S PRODUCT WILL PERFORM SUITABLY IN THE INTENDED APPLICATION.

REV. DESC: UPDATED TO "1022-1062" STACK		
REV. LTR: E	VERSION: 02	TDR: 000000785344
FILE: \AAA\00076\047	REVISED: 10:19:42 02/12/2013	BY: ENSTEB1
MTL: -		

BALDOR
 HORZ XPFC 284-6T CL1, GRP. C&D, DRILL RIG
 SH 1 of 1

CD0006



NOTES:

1. THREE LEAD MOTOR MAY BE EITHER WYE CONNECTED OR DELTA CONNECTED.
2. INTERCHANGE ANY TWO LINE LEADS TO REVERSE ROTATION.
3. OPTIONAL THERMOSTATS ARE PROVIDED WHEN SPECIFIED.
4. ACTUAL NUMBER OF INTERNAL PARALLEL CIRCUITS MAY VARY.
5. LEAD COLORS ARE OPTIONAL. LEADS MUST BE NUMBERED AS SHOWN.

CD0006

REV. DESC: ADD CLASS CONN00000007		
REV. LTR: E	VERSION: 01	TDR: 000001099922
FILE: \AAA\00005\141	REVISED: 10:24:49 02/19/2019	BY: ENBRIRO
MTL: -	© □	

BALDOR - RELIANCE®

3PH, SV, 3 LEADS, WYE OR DELTA CONNECTED

SH 1 of 1

Marketing maintained PDF of MN416:

<http://www.baldor.com/support/Literature/Load.ashx/MN416?ManNumber=MN416>