

**BALDOR® • RELIANCE** 

**Product Information Packet**

**DRX28264T**

**20HP, 1180//980RPM, 3PH, 60HZ, 286T, XPFC, F1**

Part Detail							
Revision:	A	Status:	PRD/A	Change #:		Proprietary:	No
Type:	AC	Elec. Spec:	10WGZ033	CD Diagram:	CD0180	Mfg Plant:	
Mech. Spec:		Layout:	10LY-000-549	Poles:	06	Created Date:	05-30-2019
Base:		Eff. Date:	03-13-2020	Leads:	9#10		

Specs			
Catalog Number:	DRX28264T	Duty Rating:	CONT
Enclosure:	XPFC	Electrically Isolated Bearing:	Not Electrically Isolated
Frame:	286T	Feedback Device:	NO FEEDBACK
Frame Material:	Iron	Heater Indicator:	No Heater
Output @ Frequency:	20.000 HP @ 60 HZ	Insulation Class:	F
	15.000 HP @ 50 HZ	Inverter Code:	Inverter Duty
Synchronous Speed @ Frequency:	1200 RPM @ 60 HZ	IP Rating:	NONE
Voltage @ Frequency:	190.0 V @ 50 HZ	KVA Code:	G
	230.0 V @ 60 HZ	Lifting Lugs:	Standard Lifting Lugs
	380.0 V @ 50 HZ	Locked Bearing Indicator:	Locked Bearing
	460.0 V @ 60 HZ	Motor Lead Termination:	Flying Leads
XP Class and Group:	CLI GP C,D	Motor Type:	1056M
XP Division:	Division I	Mounting Arrangement:	F1
Agency Approvals:	UR	Power Factor:	78
	CSA EEV	Product Family:	Hazardous Location Motor
	CSA	Pulley Face Code:	Standard
Auxillary Box:	No Auxillary Box	Rodent Screen:	None
Auxillary Box Lead Termination:	None	RoHS Status:	ROHS NON-COMPLIANT

<b>Base Indicator:</b>	Rigid	<b>Shaft Ground Indicator:</b>	No Shaft Grounding
<b>Bearing Grease Type:</b>	Polyrex EM (-20F +300F)	<b>Shaft Rotation:</b>	Reversible
<b>Blower:</b>	None	<b>Speed Code:</b>	Single Speed
<b>Constant Torque Speed Range:</b>	6	<b>Motor Standards:</b>	NEMA
<b>Current @ Voltage:</b>	54.000 A @ 208.0 V	<b>Starting Method:</b>	Direct on line
	50.000 A @ 230.0 V	<b>Thermal Device - Bearing:</b>	None
	46.000 A @ 190.0 V	<b>Thermal Device - Winding:</b>	Normally Closed Thermostat
	25.000 A @ 460.0 V	<b>Vibration Sensor Indicator:</b>	No Vibration Sensor
	23.000 A @ 380.0 V	<b>Winding Thermal 1:</b>	None
<b>Design Code:</b>	B	<b>Winding Thermal 2:</b>	None
<b>Drip Cover:</b>	No Drip Cover	<b>XP Temp Code:</b>	T3C

Nameplate NP1401XPSLEV											
NO.					CC	010A					
S/N					TEMP CODE	T3C					
SPEC.	10-0000-0769				INV.TYPE	PWM					
CAT.NO.	DRX28264T				C HP FR	60		C HP TO	90		
HP	20//15				CT HZ FROM	6		CT HZ TO	60		
VOLTS	230/460//190/380				VT HZ FROM	6		VT HZ TO	60		
AMPS	50/25//46/23				MAG CUR	21.4/10.7					
RPM	1180//980				MX RPM	1800					
HZ	60//50		PH	3		CL	F				
SER.F.	1.00		DES	B		SL HZ	1		NOM.EFF.	91.7	
FRAME	286T		RATING	40C AMB-CONT				WK2	6.86		
55C AMB @ 1.0 SF, 60C RISE											
1.15SF ON SINEWAVE					NEMA MG-1 PT.5,IP55						

Parts List		
Part Number	Description	Quantity
SA370108	SA 10-0000-0769	1.000 EA
RA359742	RA 10-0000-0769	1.000 EA
LB1115N	LABEL,LIFTING DEVICE (ON ROLLS)	1.000 EA
LB1119N	WARNING LABEL	1.000 EA
LC0181	CONNECTION LABEL	1.000 EA
LB1417	LABEL CARTON 6X4 PERFORATED BLANK ROLLS	1.000 EA
NP1401XPSLEV	SS XP INV UL CSA-EEV CC CL-I GP-C&D	1.000 EA
85XU0407S04	4X1/4 U DRIVE PIN STAINLESS	2.000 EA
85XU0407S04	4X1/4 U DRIVE PIN STAINLESS	4.000 EA
MN416A01	TAG-INSTAL-MAINT no wire (2100/bx) 4/22	1.000 EA
LB1081C	ALUM XP CAUTION LABEL (COL PLANT ONLY-	1.000 EA
10FH1008A05P	310 FAN HOUSING X-PROOF MACH. W/EPOXY PR	1.000 EA
HW1001A31	LOCKWASHER 5/16, ZINC PLT.591 OD, .319 I	3.000 EA
10XN3118K12	5/16-18 X .75 GRADE 5, ZINC PLATED	3.000 EA
37FN3002B03	EXFN, PLASTIC, 7.50 OD, 1.690 ID	1.000 EA
HW2500A25	WOODRUFF KEY USA #1008 #BLOW CARBON STEE	1.000 EA
51XB1214A20	12-14X1.25 HXWSSLD SERTYB	1.000 EA
MJ1000A02	GREASE, MOBIL POLYREX EM - 124047	0.130 LB
10EP1701A57PP15	FR ENDPLATE, MACH PRIMED & PAINTED	1.000 EA
HA3050A03	3/8-16 X 2.25" GRADE 8 BOLT	4.000 EA
HW1001A38	LOCKWASHER 3/8, ZINC PLT .688 OD, .382 I	4.000 EA
HA2066A02	SLINGER, ALUM (AUTO)	1.000 EA
80XN1032A06	10-32 X 3/8 SET SC HEX SOCK	2.000 EA
HW5100A11	W3917-042 WVY WSHR (WB)	1.000 EA

Parts List (continued)		
Part Number	Description	Quantity
HA4017A03	.125 X 1.75 GREASE EXT (F/S)	1.000 EA
HA4017A06	/125 X 3.00 GREASER EXT. (F/S)	1.000 EA
HW4019A01	PIPE COUPLING 1/8 NPT,STEEL,ZINC COATING	1.000 EA
HA4051A00	PLASTIC CAP FOR GREASE FITTING	1.000 EA
HW4500A21	1618BALEMITE FITTING 825 UNIVERSAL	1.000 EA
HW4500A17	317400 ALEMITE GREASE RELIEF	1.000 EA
HW4505A02	BREATHER/DRAIN-EXP PROOF-.250-18 PTF AIS	1.000 EA
HW3023E06	.125 X .625 SPIRAL SPRING PIN	1.000 EA
10EP1709A12P	PUEP, XP (CL.I,GP.D ONLY) AL SLNGR, HW45	1.000 EA
HW1001A38	LOCKWASHER 3/8, ZINC PLT .688 OD, .382 I	4.000 EA
HA3050A03	3/8-16 X 2.25" GRADE 8 BOLT	4.000 EA
HA2067A01	ALUM SLINGER (AUTO)	1.000 EA
80XN1032A06	10-32 X 3/8 SET SC HEX SOCK	2.000 EA
10XN2520K40	1/4-20 X 2-1/2 HEX HD CAPSCREW,GRADE 5,Z	4.000 EA
HA4051A00	PLASTIC CAP FOR GREASE FITTING	1.000 EA
HW4500A03	GREASE FITTING, .125 NPT 1610(ALEMITE) 8	1.000 EA
HW4500A17	317400 ALEMITE GREASE RELIEF	1.000 EA
HW4505A02	BREATHER/DRAIN-EXP PROOF-.250-18 PTF AIS	1.000 EA
HW3023E06	.125 X .625 SPIRAL SPRING PIN	1.000 EA
12CB1003A02P	KOBX, MACH 1.50 NPT GROUP C MTRS ,EPOXY	1.000 EA
10XN3118K24	5/16-18 X 1.50" HEX HD, GRADE 5	4.000 EA
HW1001A31	LOCKWASHER 5/16, ZINC PLT.591 OD, .319 I	4.000 EA
WD1000B19	TERMINAL BURNDY L250HP	1.000 EA
10XN3816K12	3/8-16 X 3/4 HEX HD CAP GRADE 5	1.000 EA

Product Information Packet: DRX28264T - 20HP,1180//980RPM,3PH,60HZ,286T,XPFC,F1

HW1001A38	LOCKWASHER 3/8, ZINC PLT .688 OD, .382 I	1.000 EA
12CB1502A01P	CONDUIT BOX LID MACH. GROUP C MTRS	1.000 EA
84XN5013J32	SOCKET HD.CAP SCR,1/2-13 X 2"LG,ALLOY ST	10.000 EA
HW1001A50	LOCKWASHER 1/2, ZINC PLT, .879 OD, .509 I	10.000 EA
MG1025G29	WILKOFAS, 789.229, DARK CHARCOAL GRAY	0.125 GA
14PA1000	PACKAGING 314 GROUP COMBINED PRINT	1.000 EA
HW2501H28	KEY, 1/2 SQ X 3.250	1.000 EA
MJ5001A27	32220KN GRAY SEALER *MIN BUY 4 QTS=1GAL	0.001 QT

**AC Induction Motor Performance Data**

Record # 75701

Typical performance - not guaranteed values

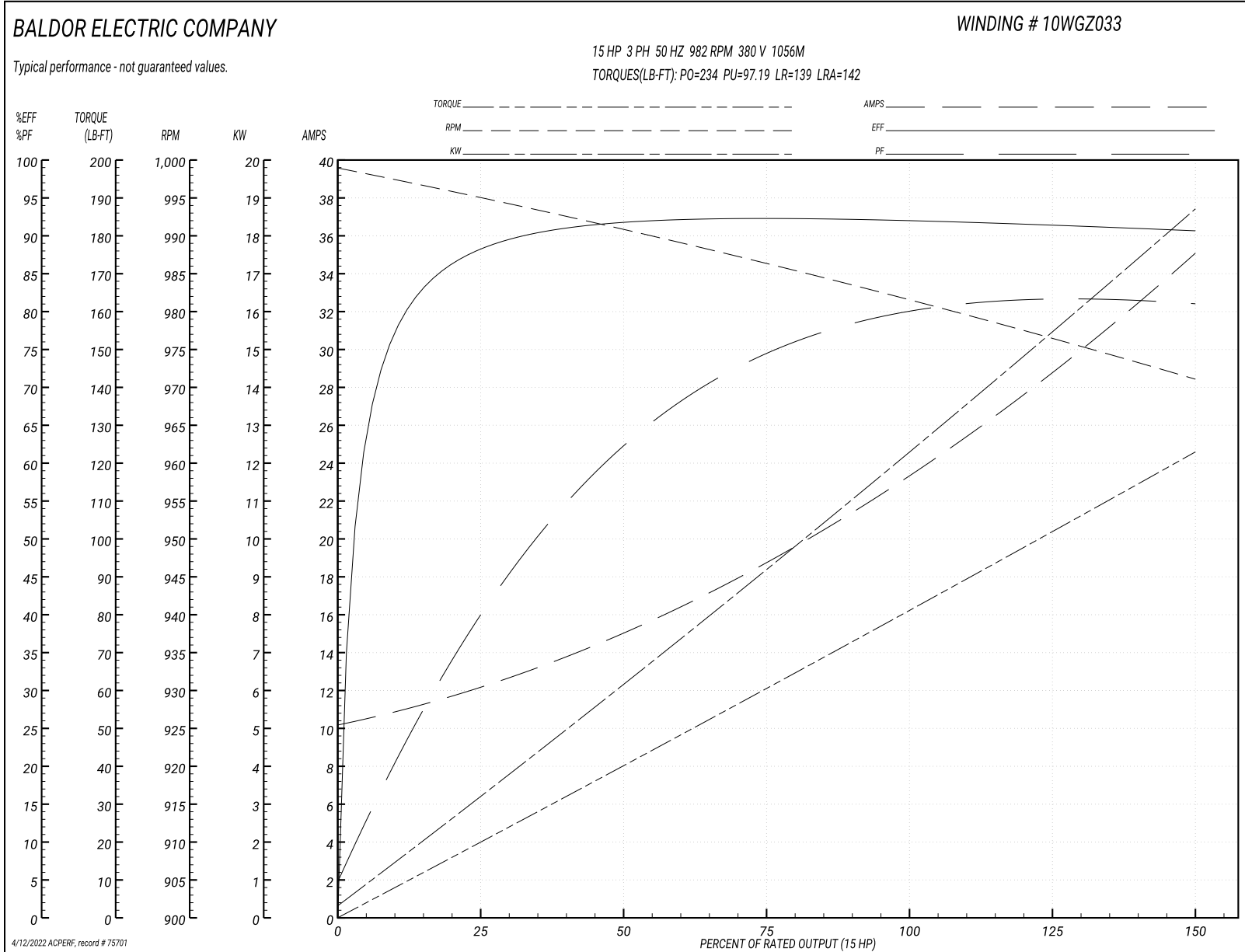
Winding: 10WGZ033-R002		Type: 1056M	Enclosure: XPFC	
<b>Nameplate Data</b>			<b>380 V, 50 Hz: High Voltage Connection</b>	
Rated Output (HP)	20//15	Full Load Torque	80.4 LB-FT	
Volts	230/460//190/380	Start Configuration	direct on line	
Full Load Amps	50/25//46/23	Breakdown Torque	234 LB-FT	
R.P.M.	1180//980	Pull-up Torque	97.19 LB-FT	
Hz	60//50 Phase	Locked-rotor Torque	139 LB-FT	
NEMA Design Code	B KVA Code	Starting Current	142 A	
Service Factor (S.F.)	1	No-load Current	10.54 A	
NEMA Nom. Eff.	91.7 Power Factor	Line-line Res. @ 25°C	0.501 Ω	
Rating - Duty	40C AMB-CONT	Temp. Rise @ Rated Load	45°C	
S.F. Amps		Temp. Rise @ S.F. Load	56°C	
		Locked-rotor Power Factor	33.7	
		Rotor inertia	6.86 LB-FT <sup>2</sup>	

**Load Characteristics 380 V, 50 Hz, 15 HP**

% of Rated Load	25	50	75	100	125	150
Power Factor	41	63	74	79	81	82
Efficiency	87.9	91.8	92.6	92.3	90.8	90.9
Speed	995	991	986	982	977	971
Line amperes	11.71	14.83	18.7	23.4	28.65	34.75



Performance Graph at 380V, 50Hz, 15.0HP Typical performance - Not guaranteed values



**AC Induction Motor Performance Data**

Record # 75702

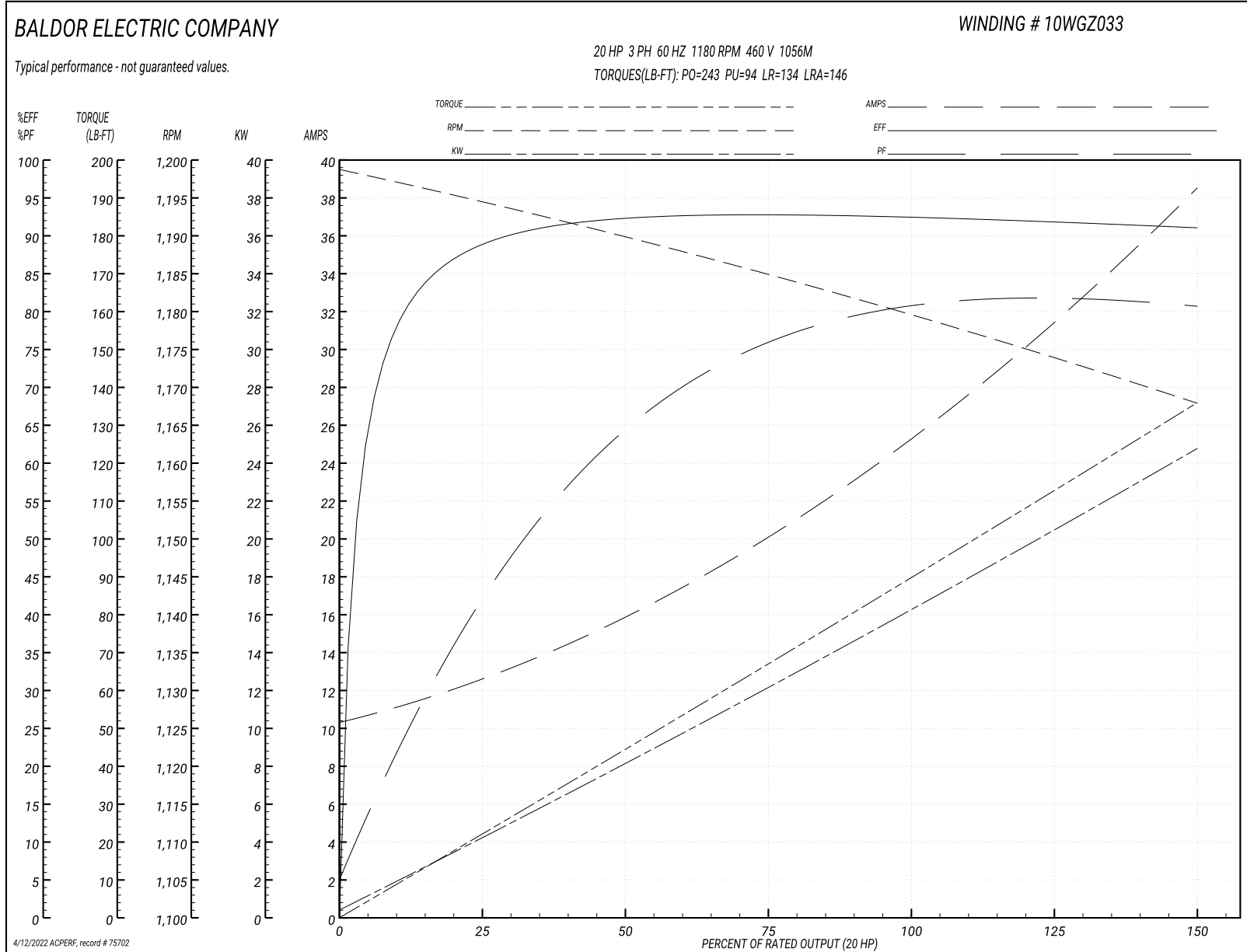
Typical performance - not guaranteed values

Winding: 10WGZ033-R002		Type: 1056M	Enclosure: XPFC	
<b>Nameplate Data</b>			<b>460 V, 60 Hz: High Voltage Connection</b>	
Rated Output (HP)	20//15		Full Load Torque	89.2 LB-FT
Volts	230/460//190/380		Start Configuration	direct on line
Full Load Amps	50/25//46/23		Breakdown Torque	243 LB-FT
R.P.M.	1180//980		Pull-up Torque	94 LB-FT
Hz	60//50 Phase	3	Locked-rotor Torque	134 LB-FT
NEMA Design Code	B KVA Code	G	Starting Current	146 A
Service Factor (S.F.)		1	No-load Current	10.7 A
NEMA Nom. Eff.	91.7 Power Factor	78	Line-line Res. @ 25°C	0.501 Ω
Rating - Duty	40C AMB-CONT		Temp. Rise @ Rated Load	51°C
S.F. Amps			Temp. Rise @ S.F. Load	63°C
			Locked-rotor Power Factor	30.3
			Rotor inertia	6.86 LB-FT <sup>2</sup>

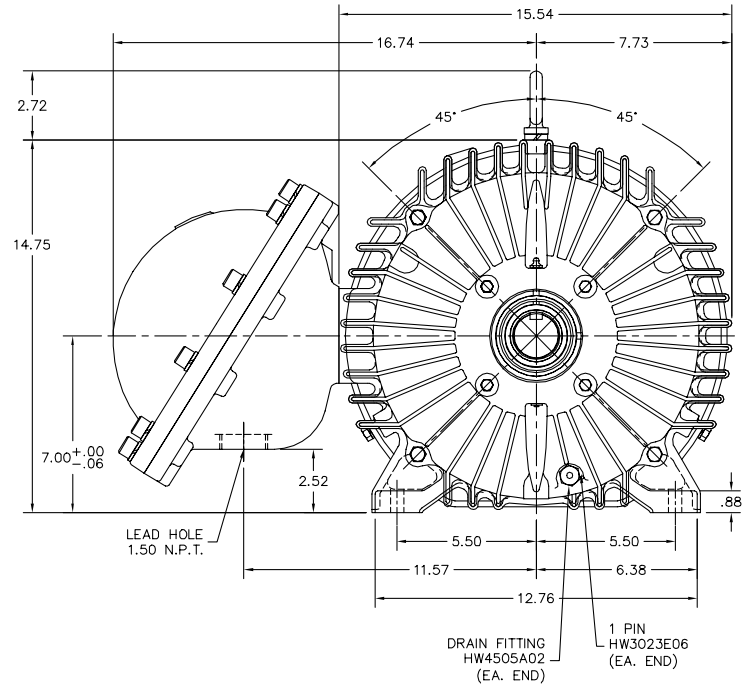
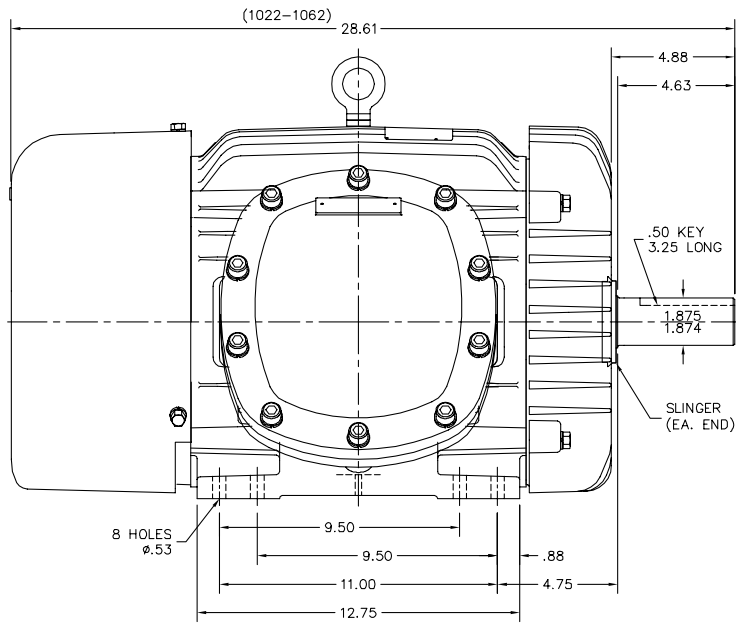
**Load Characteristics 460 V, 60 Hz, 20 HP**

% of Rated Load	25	50	75	100	125	150
Power Factor	44	66	76	80	81	81
Efficiency	88.4	92.2	93.1	92.7	91.3	91.2
Speed	1194	1190	1185	1180	1174	1168
Line amperes	12.1	15.7	20.1	25.4	31.3	38.2

Performance Graph at 460V, 60Hz, 20.0HP Typical performance - Not guaranteed values



10LY-000-549



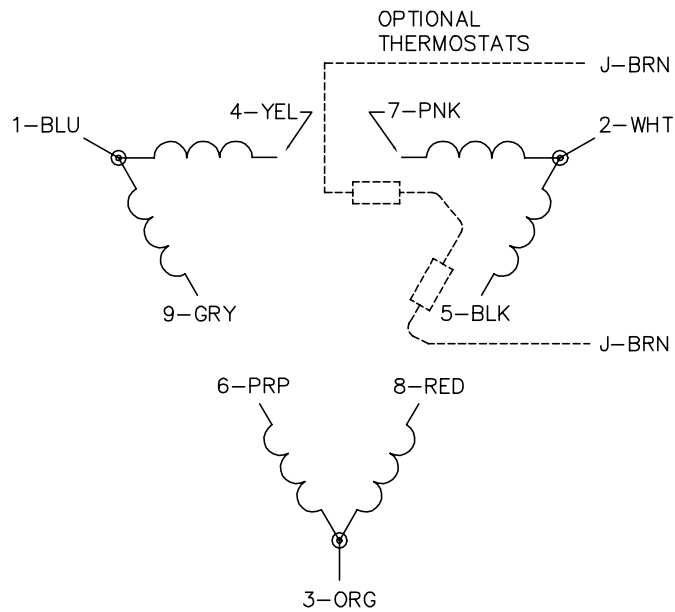
10LY-000-549

CUSTOMER IS RESPONSIBLE FOR DETERMINING THAT BALDOR'S PRODUCT WILL PERFORM SUITABLY IN THE INTENDED APPLICATION.

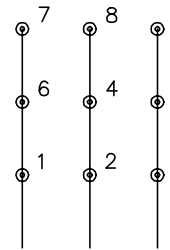
REV. DESC: REVISE DESCRIPTION TO REMOVE GRSR	VERSION: 01	TDR: 000001152202
REV. LTR: A	REVISD: 05:27:28 10/28/2020	BY: ENBRISO
FILE: \AAA\00248\660		
MTL: -		

**BALDOR - RELIANCE**<sup>®</sup>  
 HOR XPFC 284-6T CL.1,GP.C&D, W/DRILL RIG, SLINGERS  
 SH 1 of 1

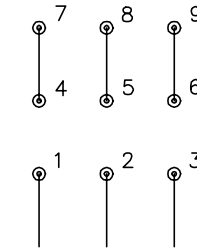
CD0180



LOW VOLTAGE  
(2D)



HIGH VOLTAGE  
(1D)



NOTES:

1. INTERCHANGE ANY TWO LINE LEADS TO REVERSE ROTATION.
2. OPTIONAL THERMOSTATS ARE PROVIDED WHEN SPECIFIED.
3. ACTUAL NUMBER OF INTERNAL PARALLEL CIRCUITS MAY BE A MULTIPLE OF THOSE SHOWN ABOVE.
4. LEAD COLORS ARE OPTIONAL. LEADS MUST ALWAYS BE NUMBERED AS SHOWN.

CD0180

REV. DESC: ADD CLASS CONN00000007		
REV. LTR: D	VERSION: 01	TDR: 000001099922
FILE: \AAA\00005\148	REVISED: 10:25:29 02/19/2019	BY: ENBRIRO
MTL: -	© □	

**BALDOR - RELIANCE®**

3PH, DV, 9 LEADS, DELTA CONNECTION

SH 1 of 1

Marketing maintained PDF of MN416:

<http://www.baldor.com/support/Literature/Load.ashx/MN416?ManNumber=MN416>