

**BALDOR® • RELIANCE** 

**Product Information Packet**

**DRX322564T**

**25HP, 1180//985RPM, 3PH, 60HZ, 324T, XPFC, F1**

Part Detail							
Revision:	E	Status:	PRD/A	Change #:		Proprietary:	No
Type:	AC	Elec. Spec:	12WGY116	CD Diagram:	CD0180	Mfg Plant:	
Mech. Spec:		Layout:	12LY-000-234	Poles:	06	Created Date:	05-30-2019
Base:		Eff. Date:	06-28-2021	Leads:	9#8		

Specs			
Catalog Number:	DRX322564T	Duty Rating:	CONT
Enclosure:	XPFC	Electrically Isolated Bearing:	Not Electrically Isolated
Frame:	324T	Feedback Device:	NO FEEDBACK
Frame Material:	Iron	Heater Indicator:	No Heater
Output @ Frequency:	25.000 HP @ 60 HZ	Insulation Class:	F
	20.000 HP @ 50 HZ	Inverter Code:	Inverter Duty
Synchronous Speed @ Frequency:	1200 RPM @ 60 HZ	IP Rating:	NONE
Voltage @ Frequency:	190.0 V @ 50 HZ	KVA Code:	H
	230.0 V @ 60 HZ	Lifting Lugs:	Standard Lifting Lugs
	380.0 V @ 50 HZ	Locked Bearing Indicator:	Locked Bearing
	460.0 V @ 60 HZ	Motor Lead Termination:	Flying Leads
XP Class and Group:	CLI GP C,D	Motor Type:	1260M
XP Division:	Division I	Mounting Arrangement:	F1
Agency Approvals:	UR	Power Factor:	79
	CSA EEV	Product Family:	Hazardous Location Motor
	CSA	Pulley Face Code:	Standard
Auxillary Box:	No Auxillary Box	Rodent Screen:	None
Auxillary Box Lead Termination:	None	RoHS Status:	ROHS NON-COMPLIANT

<b>Base Indicator:</b>	Rigid	<b>Shaft Ground Indicator:</b>	No Shaft Grounding
<b>Bearing Grease Type:</b>	Polyrex EM (-20F +300F)	<b>Shaft Rotation:</b>	Reversible
<b>Blower:</b>	None	<b>Speed Code:</b>	Single Speed
<b>Constant Torque Speed Range:</b>	6	<b>Motor Standards:</b>	NEMA
<b>Current @ Voltage:</b>	69.000 A @ 208.0 V	<b>Starting Method:</b>	Direct on line
	63.000 A @ 230.0 V	<b>Thermal Device - Bearing:</b>	None
	62.000 A @ 190.0 V	<b>Thermal Device - Winding:</b>	Normally Closed Thermostat
	32.000 A @ 460.0 V	<b>Vibration Sensor Indicator:</b>	No Vibration Sensor
	31.000 A @ 380.0 V	<b>Winding Thermal 1:</b>	None
<b>Design Code:</b>	A	<b>Winding Thermal 2:</b>	None
<b>Drip Cover:</b>	No Drip Cover	<b>XP Temp Code:</b>	T3C

Nameplate NP1401XPSLEV										
NO.						CC	010A			
S/N						TEMP CODE	T3C			
SPEC.	12-0000-0680					INV. TYPE	PWM			
CAT.NO.	DRX322564T					C HP FR	60	C HP TO	90	
HP	25//20					CT HZ FROM	6	CT HZ TO	60	
VOLTS	230/460//190/380					VT HZ FROM	6	VT HZ TO	60	
AMPS	63/32//62/31					MAG CUR	28/14			
RPM	1180//985					MX RPM	1800			
HZ	60//50	PH	3	CL	F	NOM.EFF.	93			
SER.F.	1.00	DES	A	SL HZ	1	WK2	11.5			
FRAME	324T	RATING	40C AMB-CONT							
55C AMB @ 1.0 SF, 60C RISE										
1.15SF ON SINEWAVE					NEMA MG-1 PT.5,IP55					

Parts List		
Part Number	Description	Quantity
SA370095	SA 12-0000-0680	1.000 EA
RA359729	RA 12-0000-0680	1.000 EA
LB1115N	LABEL,LIFTING DEVICE (ON ROLLS)	1.000 EA
LB1119N	WARNING LABEL	1.000 EA
LC0181	CONNECTION LABEL	1.000 EA
LB1417	LABEL CARTON 6X4 PERFORATED BLANK ROLLS	1.000 EA
NP1401XPSLEV	SS XP INV UL CSA-EEV CC CL-I GP-C&D	1.000 EA
85XU0407S04	4X1/4 U DRIVE PIN STAINLESS	2.000 EA
85XU0407S04	4X1/4 U DRIVE PIN STAINLESS	4.000 EA
MN416A01	TAG-INSTAL-MAINT no wire (2100/bx) 4/22	1.000 EA
LB1081C	ALUM XP CAUTION LABEL (COL PLANT ONLY-	1.000 EA
12FH1001A07P	FAN COVER, MACH W/EPOXY PRIMER & SLOT FO	1.000 EA
HW1001A31	LOCKWASHER 5/16, ZINC PLT.591 OD, .319 I	3.000 EA
10XN3118K12	5/16-18 X .75 GRADE 5, ZINC PLATED	3.000 EA
09FN3001B03SP	EXTERNAL FAN, PLASTIC (COMES W/SCREW FRO	1.000 EA
HW2500A25	WOODRUFF KEY USA #1008 #BLOW CARBON STEE	1.000 EA
MJ1000A02	GREASE, MOBIL POLYREX EM - 124047	0.200 LB
12EP1705A34PP15	FREP MACH. 312 W/EPOXY PRIMER & PAINT	1.000 EA
HA3051A03	1/2-13X2.75 BLT GR8 1.75 TO E NC F/S	4.000 EA
HW1001A50	LOCKWASHER 1/2, ZINC PLT.,.879 OD, .509 I	4.000 EA
HA2067A01	ALUM SLINGER (AUTO)	1.000 EA
80XN1032A07	SET SCREW, HEX XOCK, ZN	2.000 EA
HW5100A13	W4627-047 WVY WSHER	1.000 EA
HA4017A03	.125 X 1.75 GREASE EXT (F/S)	1.000 EA

Parts List (continued)		
Part Number	Description	Quantity
HA4017A08	.125X3.50 GREASER EXTEN.	1.000 EA
HW4019A01	PIPE COUPLING 1/8 NPT,STEEL,ZINC COATING	1.000 EA
HA4051A00	PLASTIC CAP FOR GREASE FITTING	1.000 EA
HW4500A21	1618BALEMITE FITTING 825 UNIVERSAL	1.000 EA
HW4500A17	317400 ALEMITE GREASE RELIEF	1.000 EA
HW4505A02	BREATHER/DRAIN-EXP PROOF-.250-18 PTF AIS	1.000 EA
HW3023E06	.125 X .625 SPIRAL SPRING PIN	1.000 EA
12EP1706A08P	EP, MACH. XPFC 312 BRG. W/DRAIN HW4505A0	1.000 EA
HW1001A50	LOCKWASHER 1/2, ZINC PLT.,.879 OD, .509 I	4.000 EA
HA3051A03	1/2-13X2.75 BLT GR8 1.75 TO E NC F/S	4.000 EA
HA2067A02	SLINGER ALUM (AUTO)	1.000 EA
80XN1032A07	SET SCREW, HEX XOCK, ZN	2.000 EA
10XN3118K40	5/16-18 X 2.75" HEX HD, GRADE 5	4.000 EA
HW1001A31	LOCKWASHER 5/16, ZINC PLT.591 OD, .319 I	4.000 EA
HA4051A00	PLASTIC CAP FOR GREASE FITTING	1.000 EA
HW4500A03	GREASE FITTING, .125 NPT 1610(ALEMITE) 8	1.000 EA
HW4500A17	317400 ALEMITE GREASE RELIEF	1.000 EA
HW4505A02	BREATHER/DRAIN-EXP PROOF-.250-18 PTF AIS	1.000 EA
HW3023E06	.125 X .625 SPIRAL SPRING PIN	1.000 EA
12CB1003A01P	KOBX,MACH 2.00 NPT GROUP C MTRS,EPOXY PR	1.000 EA
10XN3118K24	5/16-18 X 1.50" HEX HD, GRADE 5	4.000 EA
WD1000B19	TERMINAL BURNDY L250HP	1.000 EA
10XN3816K12	3/8-16 X 3/4 HEX HD CAP GRADE 5	1.000 EA
HW1001A38	LOCKWASHER 3/8, ZINC PLT .688 OD, .382 I	1.000 EA

Product Information Packet: DRX322564T - 25HP,1180//985RPM,3PH,60HZ,324T,XPFC,F1

12CB1502A01P	CONDUIT BOX LID MACH. GROUP C MTRS	1.000 EA
84XN5013J32	SOCKET HD.CAP SCR,1/2-13 X 2"LG,ALLOY ST	10.000 EA
HW1001A50	LOCKWASHER 1/2, ZINC PLT, .879 OD, .509 I	10.000 EA
MG1025G29	WILKOFEST, 789.229, DARK CHARCOAL GRAY	0.125 GA
14PA1000	PACKAGING 314 GROUP COMBINED PRINT	1.000 EA
HW2501H34	KEY, 1/2 SQ X 4.00	1.000 EA
MJ5001A27	32220KN GRAY SEALER *MIN BUY 4 QTS=1GAL	0.001 QT

**AC Induction Motor Performance Data**

Record # 44636

Typical performance - not guaranteed values

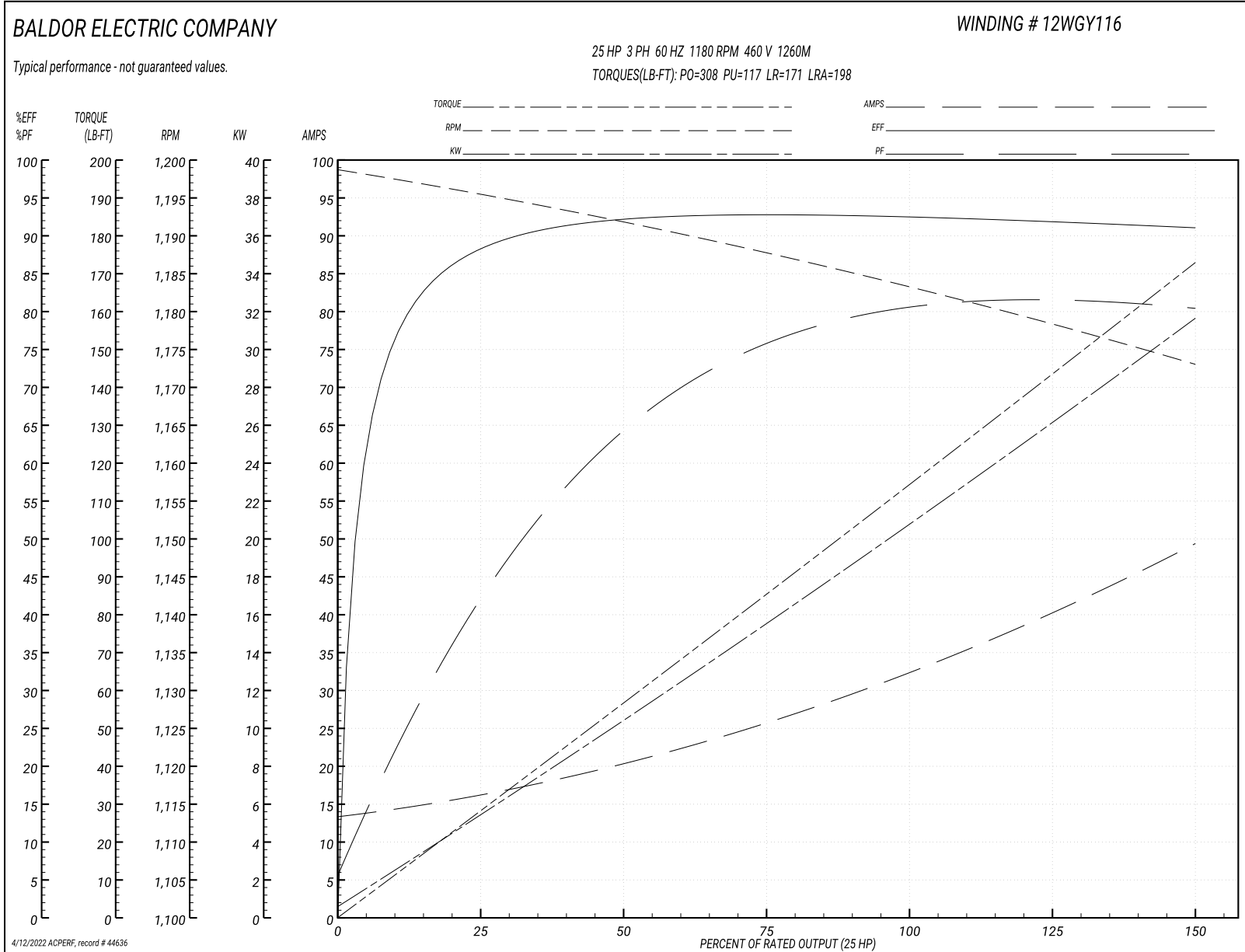
<b>Winding:</b> 12WGY116-R013		<b>Type:</b> 1260M		<b>Enclosure:</b> XPFC	
<b>Nameplate Data</b>			<b>460 V, 60 Hz: High Voltage Connection</b>		
<b>Rated Output (HP)</b>	25	<b>Full Load Torque</b>	111 LB-FT		
<b>Volts</b>	230/460	<b>Start Configuration</b>	direct on line		
<b>Full Load Amps</b>	63/32	<b>Breakdown Torque</b>	308 LB-FT		
<b>R.P.M.</b>	1180	<b>Pull-up Torque</b>	117 LB-FT		
<b>Hz</b>	60 <b>Phase</b>	3	<b>Locked-rotor Torque</b>	171 LB-FT	
<b>NEMA Design Code</b>	A	<b>KVA Code</b>	H	<b>Starting Current</b>	198 A
<b>Service Factor (S.F.)</b>	1		<b>No-load Current</b>	13.8 A	
<b>NEMA Nom. Eff.</b>	93	<b>Power Factor</b>	79	<b>Line-line Res. @ 25°C</b>	0.27033 Ω
<b>Rating - Duty</b>	40C AMB-CONT		<b>Temp. Rise @ Rated Load</b>	46°C	
			<b>Locked-rotor Power Factor</b>	28	
			<b>Rotor inertia</b>	11.5 LB-FT <sup>2</sup>	

**Load Characteristics 460 V, 60 Hz, 25 HP**

<b>% of Rated Load</b>	<b>25</b>	<b>50</b>	<b>75</b>	<b>100</b>	<b>125</b>	<b>150</b>
<b>Power Factor</b>	43	65	75	79	81	81
<b>Efficiency</b>	89.1	92.8	93.5	93.2	92.6	91.5
<b>Speed</b>	1195.4	1191.8	1188.2	1183.9	1179.3	1172.9
<b>Line amperes</b>	15.6	19.7	25.4	31.9	39.2	49.1



Performance Graph at 460V, 60Hz, 25.0HP Typical performance - Not guaranteed values



**AC Induction Motor Performance Data**

Record # 75510

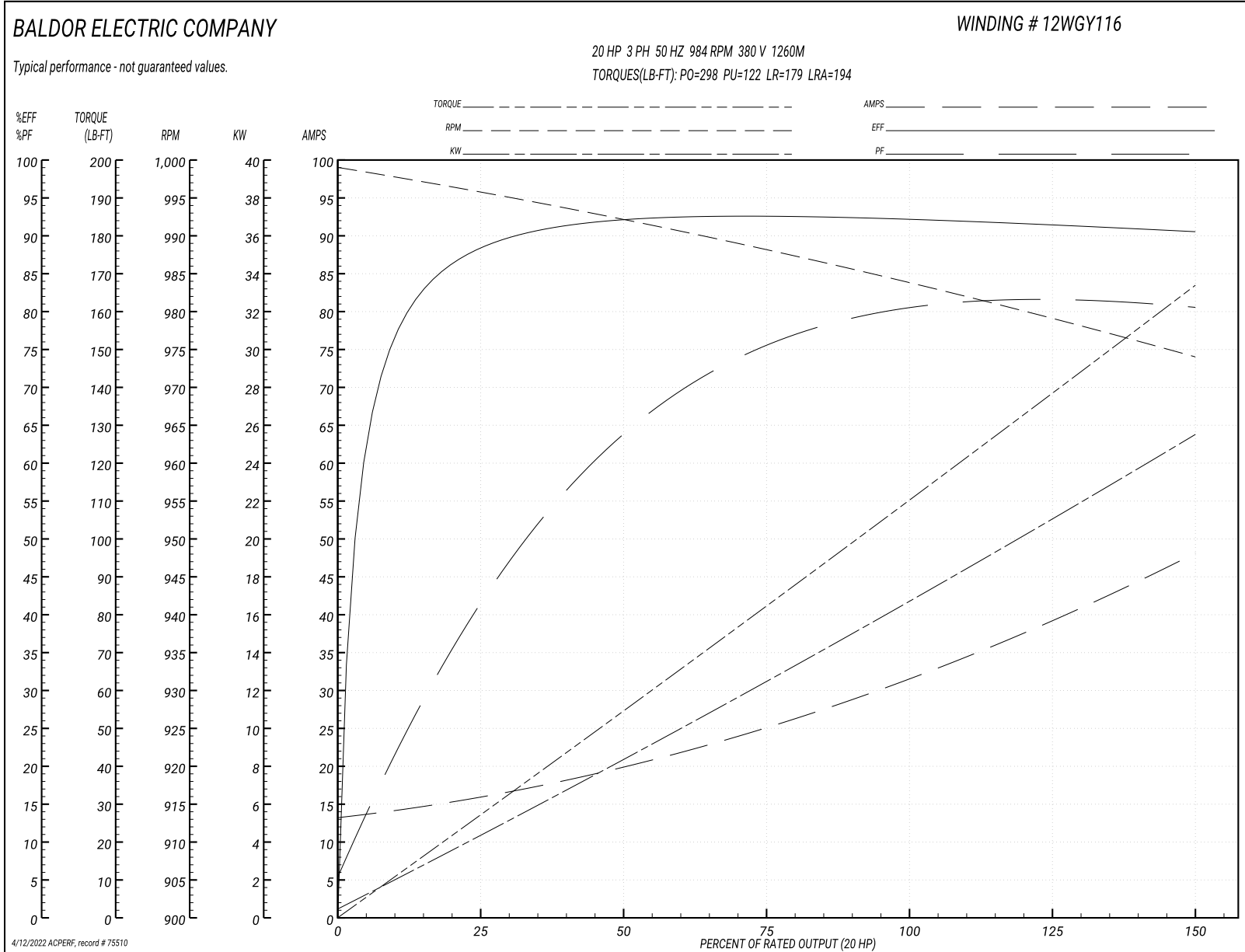
Typical performance - not guaranteed values

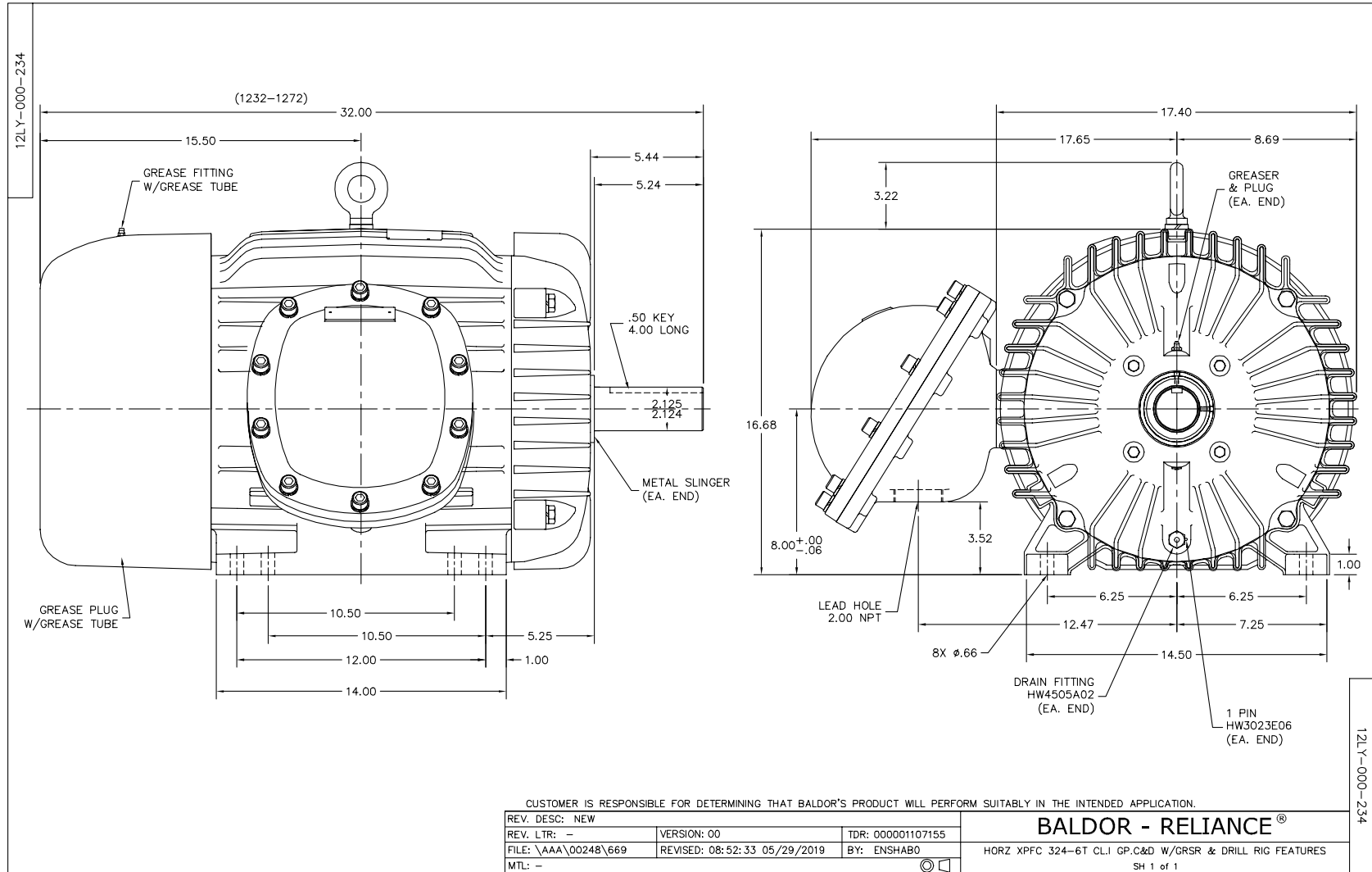
<b>Winding:</b> 12WGY116-R026		<b>Type:</b> 1260M		<b>Enclosure:</b> XPFC	
<b>Nameplate Data</b>			<b>380 V, 50 Hz: High Voltage Connection</b>		
<b>Rated Output (HP)</b>	25//20	<b>Full Load Torque</b>	107 LB-FT		
<b>Volts</b>	230/460//190/380	<b>Start Configuration</b>	direct on line		
<b>Full Load Amps</b>	63/32//62/31	<b>Breakdown Torque</b>	298 LB-FT		
<b>R.P.M.</b>	1180//985	<b>Pull-up Torque</b>	122 LB-FT		
<b>Hz</b>	60//50 <b>Phase</b>	3	<b>Locked-rotor Torque</b>	179 LB-FT	
<b>NEMA Design Code</b>	A	<b>KVA Code</b>	H	<b>Starting Current</b>	194 A
<b>Service Factor (S.F.)</b>			1	<b>No-load Current</b>	13.66 A
<b>NEMA Nom. Eff.</b>	93	<b>Power Factor</b>	79	<b>Line-line Res. @ 25°C</b>	0.286 Ω
<b>Rating - Duty</b>	40C AMB-CONT		<b>Temp. Rise @ Rated Load</b>	44°C	
<b>S.F. Amps</b>			<b>Temp. Rise @ S.F. Load</b>	54°C	
			<b>Locked-rotor Power Factor</b>	31.2	
			<b>Rotor inertia</b>	11.5 LB-FT <sup>2</sup>	

**Load Characteristics 380 V, 50 Hz, 20 HP**

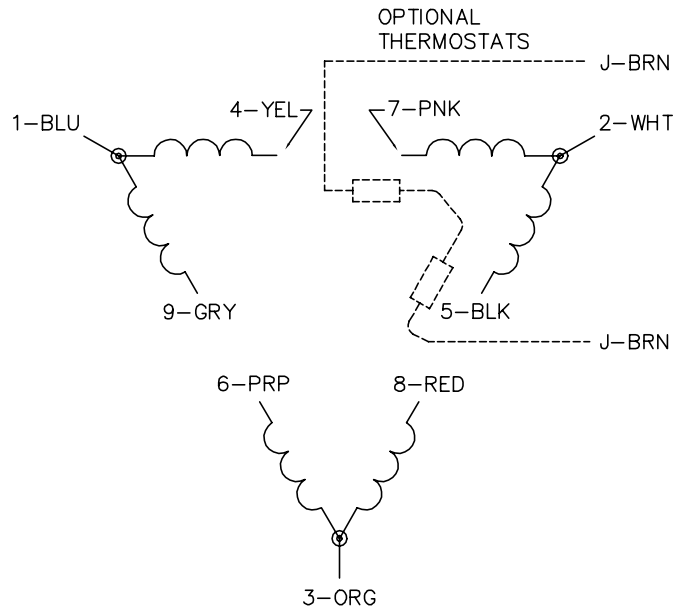
<b>% of Rated Load</b>	<b>25</b>	<b>50</b>	<b>75</b>	<b>100</b>	<b>125</b>	<b>150</b>
<b>Power Factor</b>	43	65	74	79	81	81
<b>Efficiency</b>	87.2	91.6	92.4	92.6	91.6	90.4
<b>Speed</b>	996	992	989	984	980	974
<b>Line amperes</b>	15.36	19.25	24.75	31.04	38.2	47.83

Performance Graph at 380V, 50Hz, 20.0HP Typical performance - Not guaranteed values

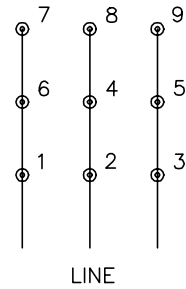




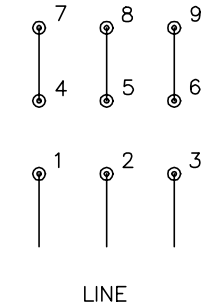
CD0180



LOW VOLTAGE  
(2D)



HIGH VOLTAGE  
(1D)



NOTES:

1. INTERCHANGE ANY TWO LINE LEADS TO REVERSE ROTATION.
2. OPTIONAL THERMOSTATS ARE PROVIDED WHEN SPECIFIED.
3. ACTUAL NUMBER OF INTERNAL PARALLEL CIRCUITS MAY BE A MULTIPLE OF THOSE SHOWN ABOVE.
4. LEAD COLORS ARE OPTIONAL. LEADS MUST ALWAYS BE NUMBERED AS SHOWN.

CD0180

REV. DESC: ADD CLASS CONN00000007		
REV. LTR: D	VERSION: 01	TDR: 000001099922
FILE: \AAA\00005\148	REVISED: 10:25:29 02/19/2019	BY: ENBRIRO
MTL: -	© □	

**BALDOR - RELIANCE®**

3PH, DV, 9 LEADS, DELTA CONNECTION

SH 1 of 1

Marketing maintained PDF of MN416:

<http://www.baldor.com/support/Literature/Load.ashx/MN416?ManNumber=MN416>