

**BALDOR® • RELIANCE** 

**Product Information Packet**

**DRX32444T-5**

**40HP, 1775RPM, 3PH, 60HZ, 324T, XPFC, F1**

Part Detail							
Revision:	C	Status:	PRD/A	Change #:		Proprietary:	No
Type:	AC	Elec. Spec:	12WGY285	CD Diagram:	CD0006	Mfg Plant:	
Mech. Spec:		Layout:	12LYS077	Poles:	04	Created Date:	07-16-2019
Base:		Eff. Date:	08-31-2020	Leads:	3#8		

Specs			
Catalog Number:	DRX32444T-5	Insulation Class:	F
Enclosure:	XPFC	Inverter Code:	Inverter Duty
Frame:	324T	IP Rating:	NONE
Frame Material:	Iron	KVA Code:	H
Output @ Frequency:	40.000 HP @ 60 HZ	Lifting Lugs:	Standard Lifting Lugs
Synchronous Speed @ Frequency:	1800 RPM @ 60 HZ	Locked Bearing Indicator:	Locked Bearing
Voltage @ Frequency:	575.0 V @ 60 HZ	Motor Lead Termination:	Flying Leads
XP Class and Group:	CLI GP C,D	Motor Type:	1254M
XP Division:	Division I	Mounting Arrangement:	F1
Agency Approvals:	CSA	Power Factor:	82
	CSA EEV	Product Family:	Hazardous Location Motor
	UR	Pulley Face Code:	Standard
Auxillary Box:	No Auxillary Box	Rodent Screen:	None
Auxillary Box Lead Termination:	None	RoHS Status:	ROHS NON-COMPLIANT
Base Indicator:	Rigid	Shaft Ground Indicator:	No Shaft Grounding
Bearing Grease Type:	Polyrex EM (-20F +300F)	Shaft Rotation:	Reversible
Blower:	None	Speed Code:	Single Speed
Constant Torque Speed Range:	6	Motor Standards:	NEMA

<b>Current @ Voltage:</b>	39.000 A @ 575.0 V	<b>Starting Method:</b>	Direct on line
<b>Design Code:</b>	A	<b>Thermal Device - Bearing:</b>	None
<b>Drip Cover:</b>	No Drip Cover	<b>Thermal Device - Winding:</b>	Normally Closed Thermostat
<b>Duty Rating:</b>	CONT	<b>Vibration Sensor Indicator:</b>	No Vibration Sensor
<b>Electrically Isolated Bearing:</b>	Not Electrically Isolated	<b>Winding Thermal 1:</b>	None
<b>Feedback Device:</b>	NO FEEDBACK	<b>Winding Thermal 2:</b>	None
<b>Heater Indicator:</b>	No Heater	<b>XP Temp Code:</b>	T3C

Nameplate NP1401XPSLEV										
NO.						CC	010A			
S/N						TEMP CODE	T3C			
SPEC.	12-0000-0851					INV.TYPE	PWM			
CAT.NO.	DRX32444T-5					C HP FR	60	C HP TO	90	
HP	40					CT HZ FROM	6	CT HZ TO	60	
VOLTS	575					VT HZ FROM	6	VT HZ TO	60	
AMPS	39					MAG CUR	15.6			
RPM	1775					MX RPM	2700			
HZ	60	PH	3	CL	F	NOM.EFF.	94.1			
SER.F.	1.00	DES	A	SL HZ	0.83	WK2	7.19			
FRAME	324T	RATING	40C AMB-CONT							
55C AMB @ 1.0 SF, 60C RISE										
1.15SF ON SINEWAVE					NEMA MG-1 PT.5,IP55					

Parts List		
Part Number	Description	Quantity
SA371886	SA 12-0000-0851	1.000 EA
RA361604	RA 12-0000-0851	1.000 EA
LB1115N	LABEL,LIFTING DEVICE (ON ROLLS)	1.000 EA
LB1119N	WARNING LABEL	1.000 EA
LC0006	CONNECTION LABEL	1.000 EA
LB1417	LABEL CARTON 6X4 PERFORATED BLANK ROLLS	1.000 EA
NP1401XPSLEV	SS XP INV UL CSA-EEV CC CL-I GP-C&D	1.000 EA
85XU0407S04	4X1/4 U DRIVE PIN STAINLESS	2.000 EA
85XU0407S04	4X1/4 U DRIVE PIN STAINLESS	4.000 EA
MN416A01	TAG-INSTAL-MAINT no wire (2100/bx) 4/22	1.000 EA
LB1081C	ALUM XP CAUTION LABEL (COL PLANT ONLY-	1.000 EA
12FH1001A07P	FAN COVER, MACH W/EPOXY PRIMER & SLOT FO	1.000 EA
HW1001A31	LOCKWASHER 5/16, ZINC PLT.591 OD, .319 I	3.000 EA
10XN3118K12	5/16-18 X .75 GRADE 5, ZINC PLATED	3.000 EA
09FN3001B03SP	EXTERNAL FAN, PLASTIC (COMES W/SCREW FRO	1.000 EA
HW2500A25	WOODRUFF KEY USA #1008 #BLOW CARBON STEE	1.000 EA
MJ1000A02	GREASE, MOBIL POLYREX EM - 124047	0.200 LB
12EP1705A34PP15	FREP MACH. 312 W/EPOXY PRIMER & PAINT	1.000 EA
HA3051A03	1/2-13X2.75 BLT GR8 1.75 TO E NC F/S	4.000 EA
HW1001A50	LOCKWASHER 1/2, ZINC PLT.,.879 OD, .509 I	4.000 EA
HA2067A01	ALUM SLINGER (AUTO)	1.000 EA
80XN1032A07	SET SCREW, HEX XOCK, ZN	2.000 EA
HW5100A13	W4627-047 WVY WSHER	1.000 EA
HW4500A20	1/8NPT SL PIPE PLUG	2.000 EA

Parts List (continued)		
Part Number	Description	Quantity
HW4505A02	BREATHER/DRAIN-EXP PROOF-.250-18 PTF AIS	1.000 EA
HW3023E06	.125 X .625 SPIRAL SPRING PIN	1.000 EA
12EP1706A08P	EP, MACH. XPFC 312 BRG. W/DRAIN HW4505A0	1.000 EA
HW1001A50	LOCKWASHER 1/2, ZINC PLT.,.879 OD, .509 I	4.000 EA
HA3051A03	1/2-13X2.75 BLT GR8 1.75 TO E NC F/S	4.000 EA
HA2067A02	SLINGER ALUM (AUTO)	1.000 EA
80XN1032A07	SET SCREW, HEX XOCK, ZN	2.000 EA
10XN3118K40	5/16-18 X 2.75" HEX HD, GRADE 5	4.000 EA
HW1001A31	LOCKWASHER 5/16, ZINC PLT.591 OD, .319 I	4.000 EA
HW4500A20	1/8NPT SL PIPE PLUG	2.000 EA
HW4505A02	BREATHER/DRAIN-EXP PROOF-.250-18 PTF AIS	1.000 EA
HW3023E06	.125 X .625 SPIRAL SPRING PIN	1.000 EA
12CB1003A01P	KOBX,MACH 2.00 NPT GROUP C MTRS,EPOXY PR	1.000 EA
10XN3118K24	5/16-18 X 1.50" HEX HD, GRADE 5	4.000 EA
HW1001A31	LOCKWASHER 5/16, ZINC PLT.591 OD, .319 I	4.000 EA
WD1000B19	TERMINAL BURNDY L250HP	1.000 EA
10XN3816K12	3/8-16 X 3/4 HEX HD CAP GRADE 5	1.000 EA
HW1001A38	LOCKWASHER 3/8, ZINC PLT .688 OD, .382 I	1.000 EA
12CB1502A01P	CONDUIT BOX LID MACH. GROUP C MTRS	1.000 EA
84XN5013J32	SOCKET HD.CAP SCR,1/2-13 X 2"LG,ALLOY ST	10.000 EA
HW1001A50	LOCKWASHER 1/2, ZINC PLT.,.879 OD, .509 I	10.000 EA
MG1025G29	WILKOFAS, 789.229, DARK CHARCOAL GRAY	0.125 GA
12PA1020	PKGP CRATE 312 EXPORT 36 X 30-1/2 X 22-	1.000 EA
HW2501H33	KEY, 1/2 SQ X 3.875	1.000 EA

**AC Induction Motor Performance Data**

Record # 77494

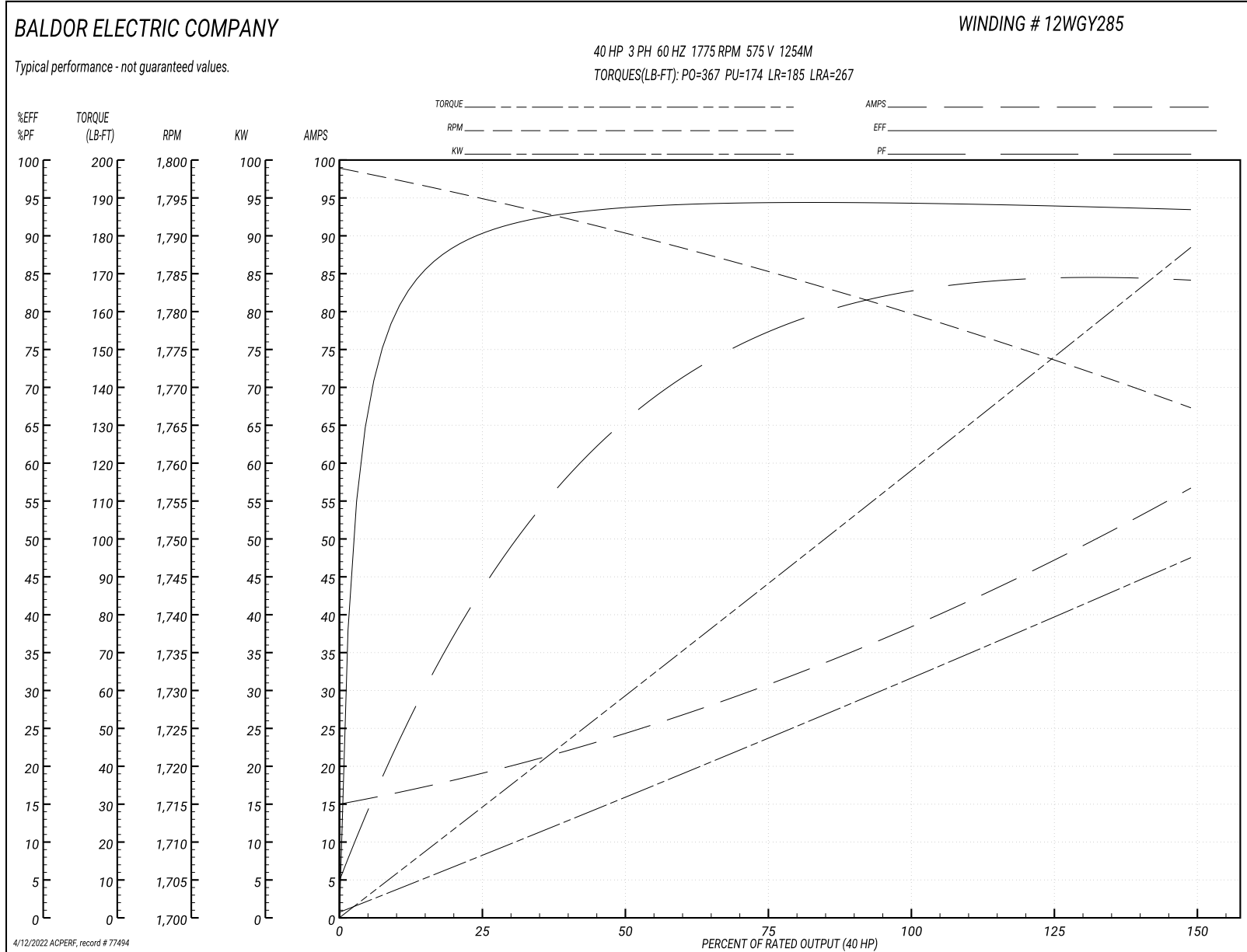
Typical performance - not guaranteed values

<b>Winding: 12WGY285-R007</b>		<b>Type: 1254M</b>		<b>Enclosure: XPFC</b>	
<b>Nameplate Data</b>			<b>575 V, 60 Hz: Single Voltage Motor</b>		
<b>Rated Output (HP)</b>	40	<b>Full Load Torque</b>	118 LB-FT		
<b>Volts</b>	575	<b>Start Configuration</b>	direct on line		
<b>Full Load Amps</b>	39	<b>Breakdown Torque</b>	367 LB-FT		
<b>R.P.M.</b>	1775	<b>Pull-up Torque</b>	174 LB-FT		
<b>Hz</b>	60 <b>Phase</b>	3	<b>Locked-rotor Torque</b>	185 LB-FT	
<b>NEMA Design Code</b>	A <b>KVA Code</b>	H	<b>Starting Current</b>	267 A	
<b>Service Factor (S.F.)</b>		1	<b>No-load Current</b>	15.6 A	
<b>NEMA Nom. Eff.</b>	94.1 <b>Power Factor</b>	82	<b>Line-line Res. @ 25°C</b>	0.226 Ω	
<b>Rating - Duty</b>		40C AMB-CONT	<b>Temp. Rise @ Rated Load</b>	54°C	
<b>S.F. Amps</b>			<b>Temp. Rise @ S.F. Load</b>	65°C	
			<b>Locked-rotor Power Factor</b>	27.2	
			<b>Rotor inertia</b>	7.19 LB-FT <sup>2</sup>	

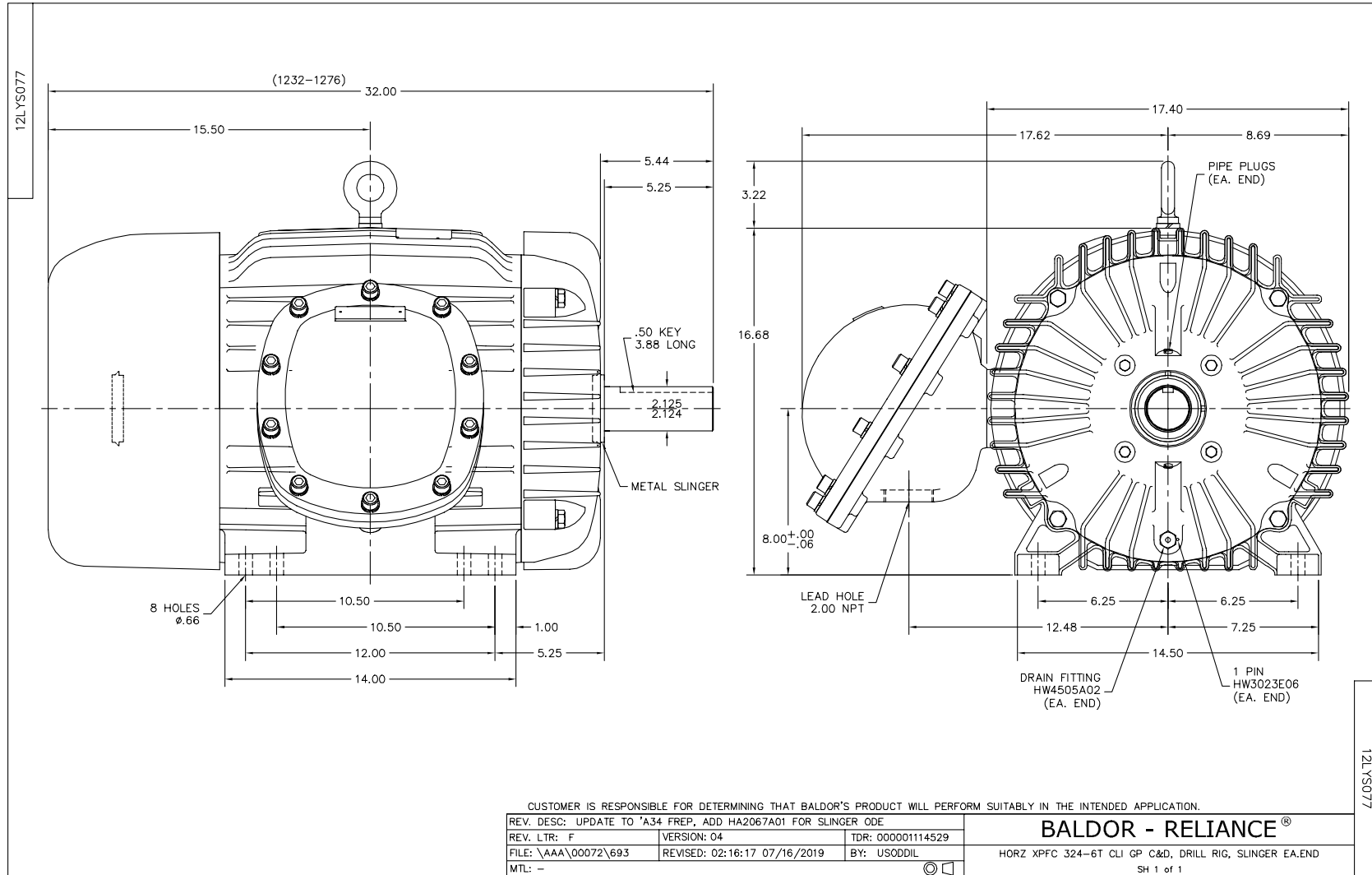
**Load Characteristics 575 V, 60 Hz, 40 HP**

<b>% of Rated Load</b>	<b>25</b>	<b>50</b>	<b>75</b>	<b>100</b>	<b>125</b>	<b>150</b>
<b>Power Factor</b>	46	67	77	82	84	85
<b>Efficiency</b>	90	93.6	94.3	94.3	94.1	93.3
<b>Speed</b>	1795	1790	1785	1780	1774	1767
<b>Line amperes</b>	18.3	24.1	31.1	38.7	47.6	56.3

Performance Graph at 575V, 60Hz, 40.0HP Typical performance - Not guaranteed values







CD0006



NOTES:

1. THREE LEAD MOTOR MAY BE EITHER WYE CONNECTED OR DELTA CONNECTED.
2. INTERCHANGE ANY TWO LINE LEADS TO REVERSE ROTATION.
3. OPTIONAL THERMOSTATS ARE PROVIDED WHEN SPECIFIED.
4. ACTUAL NUMBER OF INTERNAL PARALLEL CIRCUITS MAY VARY.
5. LEAD COLORS ARE OPTIONAL. LEADS MUST BE NUMBERED AS SHOWN.

CD0006

REV. DESC: ADD CLASS CONN00000007		
REV. LTR: E	VERSION: 01	TDR: 000001099922
FILE: \AAA\00005\141	REVISED: 10:24:49 02/19/2019	BY: ENBRIRO
MTL: -	© □	

**BALDOR - RELIANCE**®

3PH, SV, 3 LEADS, WYE OR DELTA CONNECTED

SH 1 of 1

Marketing maintained PDF of MN416:

<http://www.baldor.com/support/Literature/Load.ashx/MN416?ManNumber=MN416>