

**BALDOR® • RELIANCE** 

**Product Information Packet**

**DRX3244T**

**40HP, 1775//1480RPM, 3PH, 60HZ, 324T, XPFC, F1**

Part Detail							
Revision:	E	Status:	PRD/A	Change #:		Proprietary:	No
Type:	AC	Elec. Spec:	12WGY276	CD Diagram:	CD0180	Mfg Plant:	
Mech. Spec:		Layout:	12LYG128	Poles:	04	Created Date:	03-07-2019
Base:		Eff. Date:	08-17-2021	Leads:	9#8		

Specs			
Catalog Number:	DRX32444T	Duty Rating:	CONT
Enclosure:	XPFC	Electrically Isolated Bearing:	Not Electrically Isolated
Frame:	324T	Feedback Device:	NO FEEDBACK
Frame Material:	Iron	Heater Indicator:	No Heater
Output @ Frequency:	30.000 HP @ 50 HZ	Insulation Class:	F
	40.000 HP @ 60 HZ	Inverter Code:	Not Inverter
Synchronous Speed @ Frequency:	1800 RPM @ 60 HZ	IP Rating:	NONE
Voltage @ Frequency:	230.0 V @ 60 HZ	KVA Code:	H
	190.0 V @ 50 HZ	Lifting Lugs:	Standard Lifting Lugs
	380.0 V @ 50 HZ	Locked Bearing Indicator:	Locked Bearing
	460.0 V @ 60 HZ	Motor Lead Termination:	Flying Leads
XP Class and Group:	CLI GP C,D	Motor Type:	1254M
XP Division:	Division I	Mounting Arrangement:	F1
Agency Approvals:	UR	Power Factor:	82
	CSA EEV	Product Family:	Chemical Process Features
	CSA	Pulley Face Code:	Standard
Auxillary Box:	No Auxillary Box	Rodent Screen:	None
Auxillary Box Lead Termination:	None	RoHS Status:	ROHS NON-COMPLIANT

<b>Base Indicator:</b>	Rigid	<b>Shaft Ground Indicator:</b>	No Shaft Grounding
<b>Bearing Grease Type:</b>	Polyrex EM (-20F +300F)	<b>Shaft Rotation:</b>	Reversible
<b>Blower:</b>	None	<b>Speed Code:</b>	Single Speed
<b>Constant Torque Speed Range:</b>	6	<b>Motor Standards:</b>	NEMA
<b>Current @ Voltage:</b>	96.000 A @ 230.0 V	<b>Starting Method:</b>	Direct on line
	90.000 A @ 190.0 V	<b>Thermal Device - Bearing:</b>	None
	48.000 A @ 460.0 V	<b>Thermal Device - Winding:</b>	Normally Closed Thermostat
	45.000 A @ 380.0 V	<b>Vibration Sensor Indicator:</b>	No Vibration Sensor
<b>Design Code:</b>	A	<b>Winding Thermal 1:</b>	None
<b>Drip Cover:</b>	No Drip Cover	<b>Winding Thermal 2:</b>	None
		<b>XP Temp Code:</b>	T3C

Nameplate NP1401XPSLEV										
NO.						CC	010A			
S/N						TEMP CODE	T3C			
SPEC.	12-0000-0549					INV. TYPE	PWM			
CAT.NO.	DRX32444T					C HP FR	60	C HP TO	90	
HP	40//30					CT HZ FROM	6	CT HZ TO	60	
VOLTS	230/460//190/380					VT HZ FROM	6	VT HZ TO	60	
AMPS	96/48//90/45					MAG CUR	40/20			
RPM	1775//1480					MX RPM	2700			
HZ	60//50	PH	3	CL	F	NOM.EFF.	94.1			
SER.F.	1.00	DES	A	SL HZ	0.83	WK2	7.19			
FRAME	324T	RATING	40C AMB-CONT							
55C AMB AT 1.0 SF, 60C RISE										
1.15SF ON SINEWAVE					NEMA MG-1 PT.5,IP55					

Parts List		
Part Number	Description	Quantity
SA366948	SA 12-0000-0549	1.000 EA
RA356399	RA 12-0000-0549	1.000 EA
LB1115N	LABEL,LIFTING DEVICE (ON ROLLS)	1.000 EA
LB1119N	WARNING LABEL	1.000 EA
LC0181	CONNECTION LABEL	1.000 EA
NP1401XPSLEV	SS XP INV UL CSA-EEV CC CL-I GP-C&D	1.000 EA
85XU0407S04	4X1/4 U DRIVE PIN STAINLESS	4.000 EA
85XU0407S04	4X1/4 U DRIVE PIN STAINLESS	2.000 EA
MN416A01	TAG-INSTAL-MAINT no wire (2100/bx) 4/22	1.000 EA
LB1081C	ALUM XP CAUTION LABEL (COL PLANT ONLY-	1.000 EA
10XN3816E08	3/8-16 X .50 HEX HD SCREW BRONZE	1.000 EA
HW1001B38	WASHER, 3/8 SPLT LK, CS, .678OD X .382ID	1.000 EA
12FH1001A07P	FAN COVER, MACH W/EPOXY PRIMER & SLOT FO	1.000 EA
HW1001A31	LOCKWASHER 5/16, ZINC PLT.591 OD, .319 I	3.000 EA
10XN3118K12	5/16-18 X .75 GRADE 5, ZINC PLATED	3.000 EA
09FN3001B03SP	EXTERNAL FAN, PLASTIC (COMES W/SCREW FRO	1.000 EA
HW2500A25	WOODRUFF KEY USA #1008 #BLOW CARBON STEE	1.000 EA
MJ1000A02	GREASE, MOBIL POLYREX EM - 124047	0.200 LB
12EP1705A34PP15	FREP MACH. 312 W/EPOXY PRIMER & PAINT	1.000 EA
HA3051A03	1/2-13X2.75 BLT GR8 1.75 TO E NC F/S	4.000 EA
HW1001A50	LOCKWASHER 1/2, ZINC PLT.,.879 OD, .509 I	4.000 EA
HA2067A01	ALUM SLINGER (AUTO)	1.000 EA
80XN1032A07	SET SCREW, HEX XOCK, ZN	2.000 EA
HW5100A13	W4627-047 WVY WSHER	1.000 EA

Parts List (continued)		
Part Number	Description	Quantity
HA4017A03	.125 X 1.75 GREASE EXT (F/S)	1.000 EA
HA4017A08	.125X3.50 GREASER EXTEN.	1.000 EA
HW4019A01	PIPE COUPLING 1/8 NPT,STEEL,ZINC COATING	1.000 EA
HA4051A00	PLASTIC CAP FOR GREASE FITTING	1.000 EA
HW4500A21	1618BALEMITE FITTING 825 UNIVERSAL	1.000 EA
HW4500A17	317400 ALEMITE GREASE RELIEF	1.000 EA
HW4505A02	BREATHER/DRAIN-EXP PROOF-.250-18 PTF AIS	1.000 EA
HW3023E06	.125 X .625 SPIRAL SPRING PIN	1.000 EA
12EP1706A08P	EP, MACH. XPFC 312 BRG. W/DRAIN HW4505A0	1.000 EA
HW1001A50	LOCKWASHER 1/2, ZINC PLT.,.879 OD, .509 I	4.000 EA
HA3051A03	1/2-13X2.75 BLT GR8 1.75 TO E NC F/S	4.000 EA
HA2067A02	SLINGER ALUM (AUTO)	1.000 EA
80XN1032A07	SET SCREW, HEX XOCK, ZN	2.000 EA
10XN3118K40	5/16-18 X 2.75" HEX HD, GRADE 5	4.000 EA
HA4051A00	PLASTIC CAP FOR GREASE FITTING	1.000 EA
HW4500A03	GREASE FITTING, .125 NPT 1610(ALEMITE) 8	1.000 EA
HW4500A17	317400 ALEMITE GREASE RELIEF	1.000 EA
HW4505A02	BREATHER/DRAIN-EXP PROOF-.250-18 PTF AIS	1.000 EA
HW3023E06	.125 X .625 SPIRAL SPRING PIN	1.000 EA
12CB1003A01P	KOBX,MACH 2.00 NPT GROUP C MTRS,EPOXY PR	1.000 EA
10XN3118K24	5/16-18 X 1.50" HEX HD, GRADE 5	4.000 EA
HW1001A31	LOCKWASHER 5/16, ZINC PLT.591 OD, .319 I	4.000 EA
WD1000B19	TERMINAL BURNDY L250HP	1.000 EA
10XN3816K12	3/8-16 X 3/4 HEX HD CAP GRADE 5	1.000 EA

Product Information Packet: DRX32444T - 40HP,1775//1480RPM,3PH,60HZ,324T,XPFC,F1

HW1001A38	LOCKWASHER 3/8, ZINC PLT .688 OD, .382 I	1.000 EA
12CB1502A01P	CONDUIT BOX LID MACH. GROUP C MTRS	1.000 EA
84XN5013J32	SOCKET HD.CAP SCR,1/2-13 X 2"LG,ALLOY ST	10.000 EA
HW1001A50	LOCKWASHER 1/2, ZINC PLT,.879 OD, .509 I	10.000 EA
MG1025G29	WILKOFASST, 789.229, DARK CHARCOAL GRAY	0.125 GA
MJ5001A27	32220KN GRAY SEALER *MIN BUY 4 QTS=1GAL	0.031 QT
MJ5002A01	SILICON RUBBER SEALANT, 732CL 10.3 OZ TU	0.033 EA
14PA1000	PACKAGING 314 GROUP COMBINED PRINT	1.000 EA
HW2501H34	KEY, 1/2 SQ X 4.00	1.000 EA

**AC Induction Motor Performance Data**

Record # 43813

Typical performance - not guaranteed values

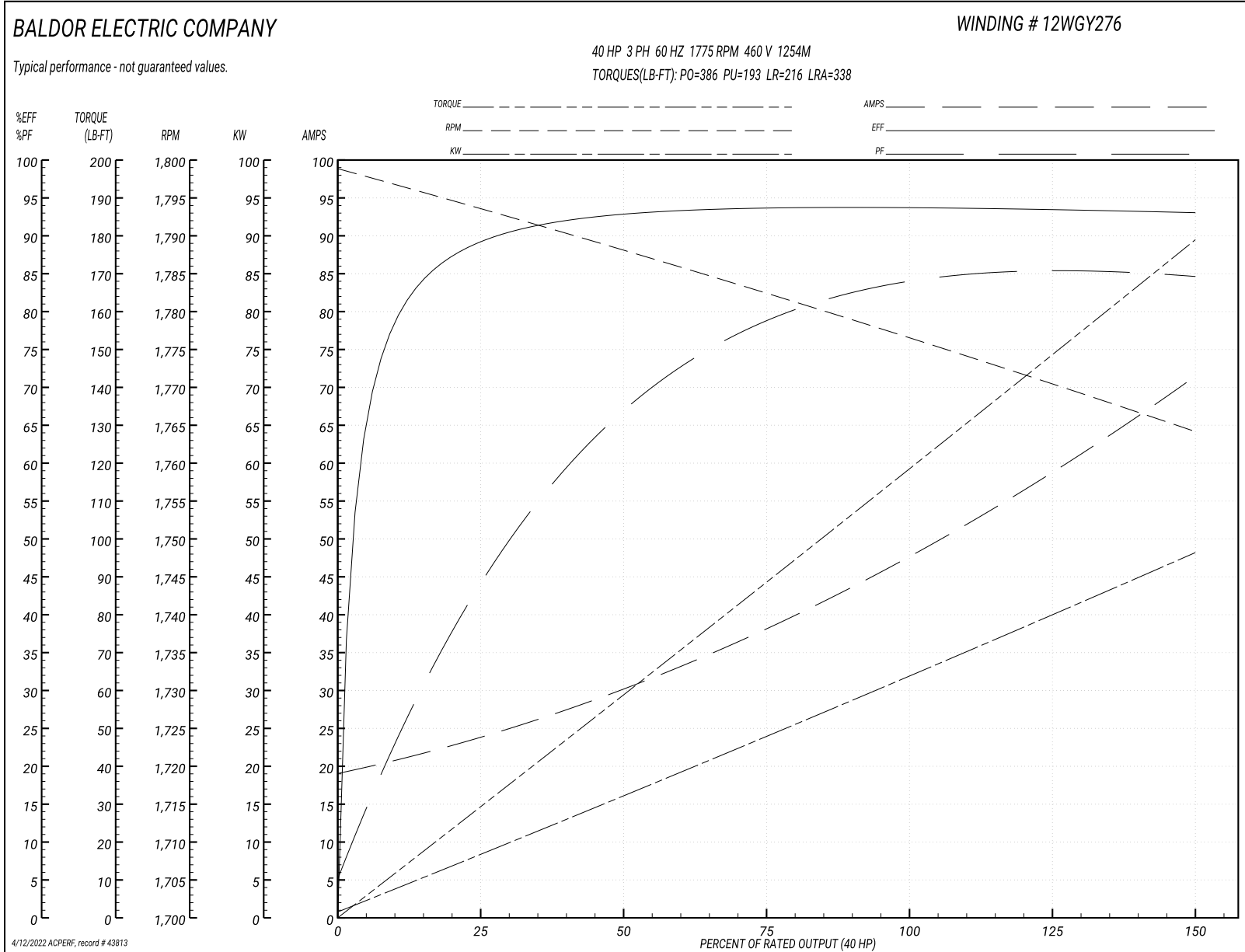
<b>Winding: 12WGY276-R023</b>		<b>Type: 1254M</b>		<b>Enclosure: XPFC</b>	
<b>Nameplate Data</b>			<b>460 V, 60 Hz: High Voltage Connection</b>		
<b>Rated Output (HP)</b>	40	<b>Full Load Torque</b>	118 LB-FT		
<b>Volts</b>	230/460	<b>Start Configuration</b>	direct on line		
<b>Full Load Amps</b>	96/48	<b>Breakdown Torque</b>	386 LB-FT		
<b>R.P.M.</b>	1775	<b>Pull-up Torque</b>	193 LB-FT		
<b>Hz</b>	60 Phase	<b>Locked-rotor Torque</b>	216 LB-FT		
<b>NEMA Design Code</b>	A	<b>Starting Current</b>	338 A		
<b>Service Factor (S.F.)</b>		<b>No-load Current</b>	19.9 A		
<b>NEMA Nom. Eff.</b>	94.1	<b>Line-line Res. @ 25°C</b>	0.14898 Ω		
<b>Rating - Duty</b>	40C AMB-CONT	<b>Temp. Rise @ Rated Load</b>	54°C		
		<b>Locked-rotor Power Factor</b>	27		
		<b>Rotor inertia</b>	7.19 LB-FT <sup>2</sup>		

**Load Characteristics 460 V, 60 Hz, 40 HP**

<b>% of Rated Load</b>	<b>25</b>	<b>50</b>	<b>75</b>	<b>100</b>	<b>125</b>	<b>150</b>
<b>Power Factor</b>	47	69	78	83	85	85
<b>Efficiency</b>	90.1	93.5	94.2	94.2	93.8	93.1
<b>Speed</b>	1793.5	1788	1782.5	1776.6	1770.7	1764.1
<b>Line amperes</b>	22.9	29.5	38.4	48.1	59.2	70.8



Performance Graph at 460V, 60Hz, 40.0HP Typical performance - Not guaranteed values



**AC Induction Motor Performance Data**

Record # 74483

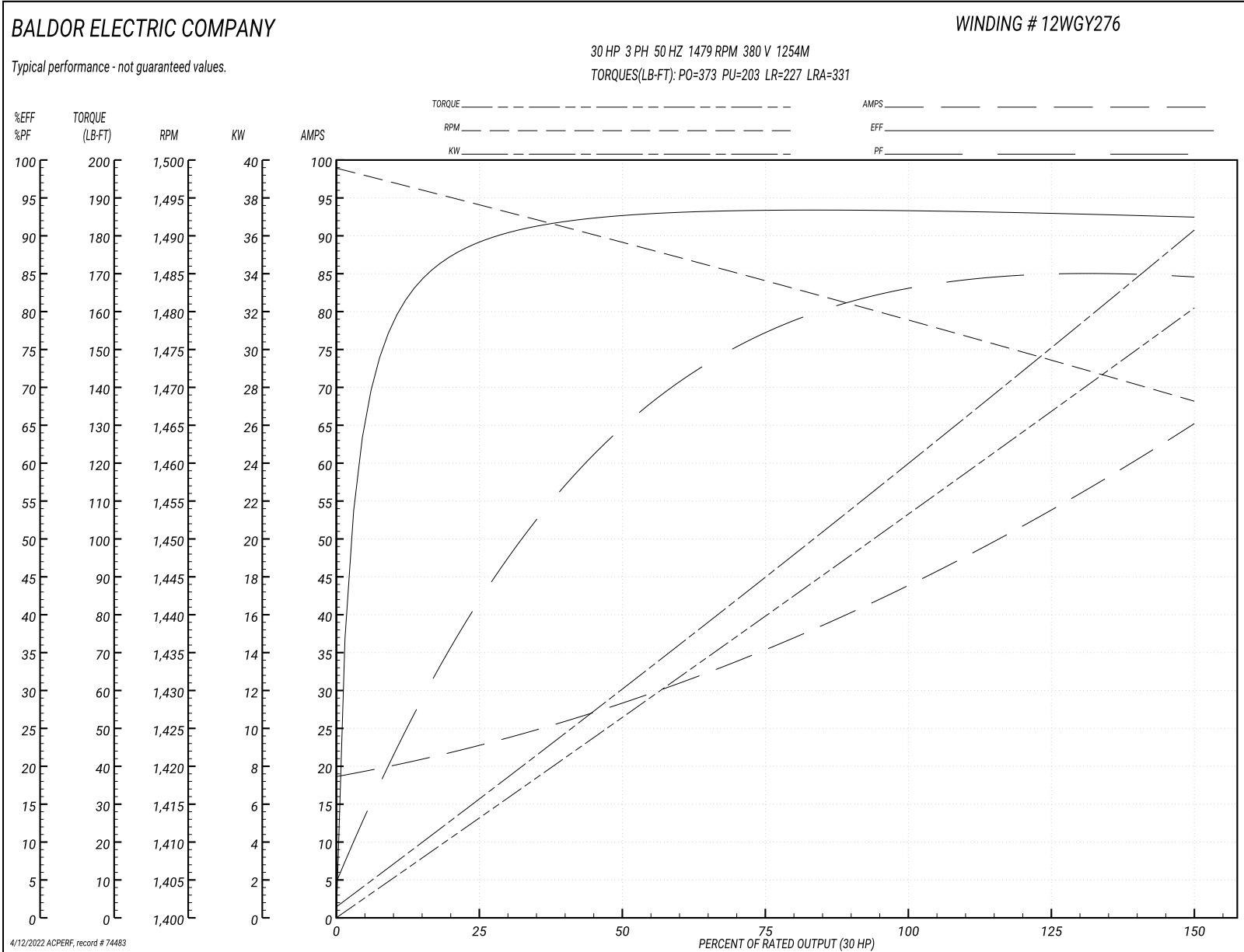
Typical performance - not guaranteed values

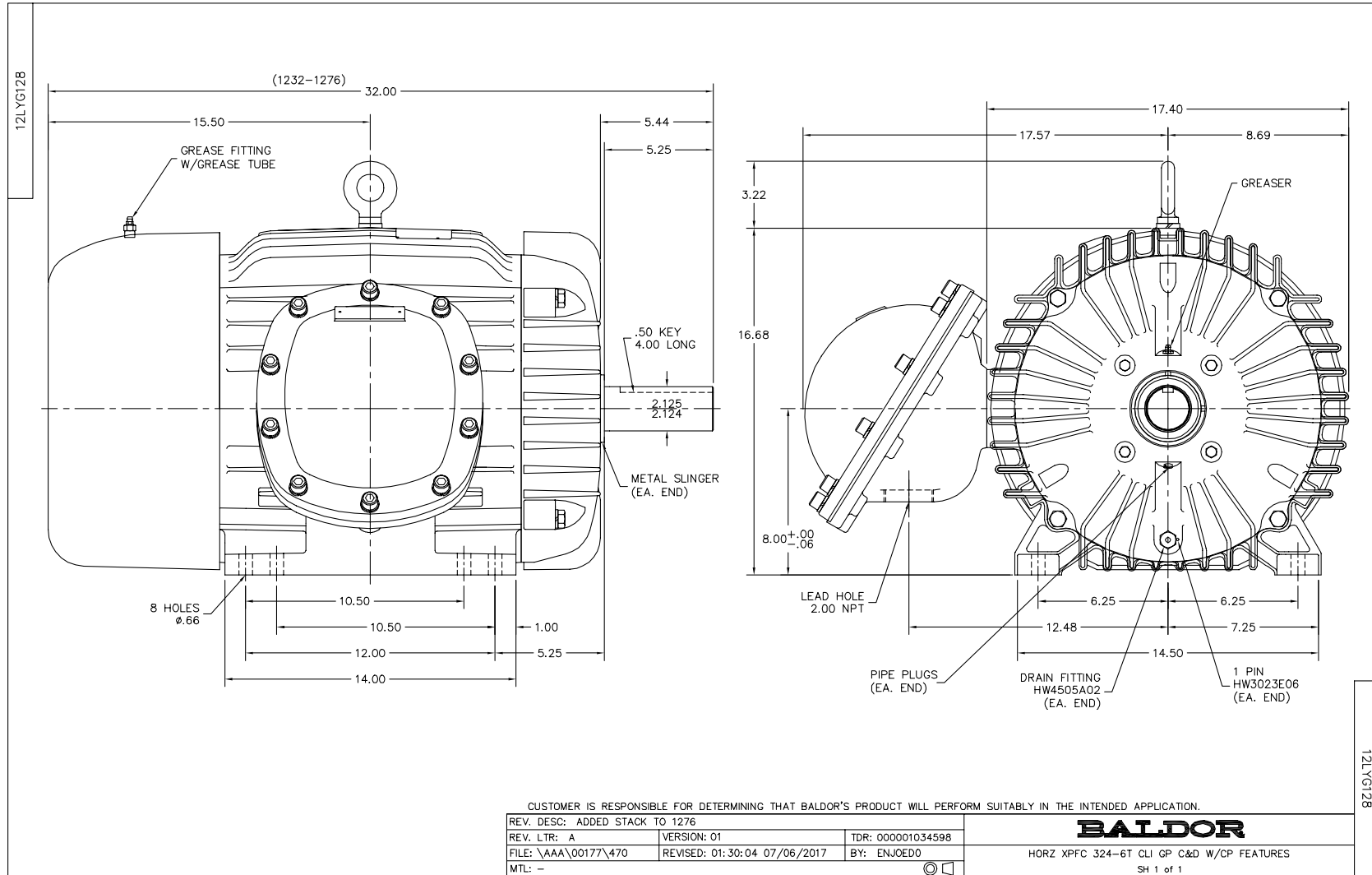
<b>Winding: 12WGY276-R040</b>		<b>Type: 1254M</b>		<b>Enclosure: XPFC</b>	
<b>Nameplate Data</b>			<b>380 V, 50 Hz: High Voltage Connection</b>		
<b>Rated Output (HP)</b>	40//30		<b>Full Load Torque</b>	106 LB-FT	
<b>Volts</b>	230/460//190/380		<b>Start Configuration</b>	direct on line	
<b>Full Load Amps</b>	96/48//90/45		<b>Breakdown Torque</b>	373 LB-FT	
<b>R.P.M.</b>	1775//1480		<b>Pull-up Torque</b>	203 LB-FT	
<b>Hz</b>	60//50	<b>Phase</b>	3	<b>Locked-rotor Torque</b>	227 LB-FT
<b>NEMA Design Code</b>	A	<b>KVA Code</b>	H	<b>Starting Current</b>	331 A
<b>Service Factor (S.F.)</b>	1		<b>No-load Current</b>	19.39 A	
<b>NEMA Nom. Eff.</b>	94.1	<b>Power Factor</b>	82	<b>Line-line Res. @ 25°C</b>	0.145 Ω
<b>Rating - Duty</b>	40C AMB-CONT		<b>Temp. Rise @ Rated Load</b>	47°C	
<b>S.F. Amps</b>			<b>Temp. Rise @ S.F. Load</b>	57°C	
			<b>Locked-rotor Power Factor</b>	30.4	
			<b>Rotor inertia</b>	7.19 LB-FT <sup>2</sup>	

**Load Characteristics 380 V, 50 Hz, 30 HP**

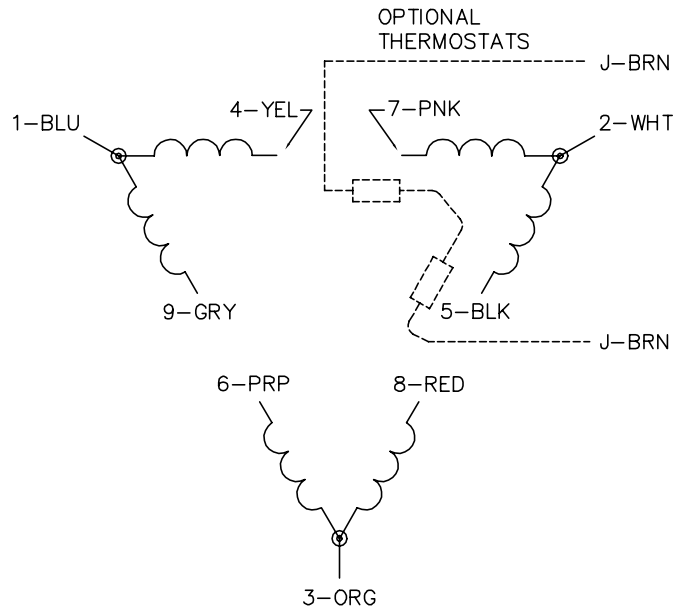
<b>% of Rated Load</b>	<b>25</b>	<b>50</b>	<b>75</b>	<b>100</b>	<b>125</b>	<b>150</b>
<b>Power Factor</b>	44	66	77	82	84	85
<b>Efficiency</b>	88.7	92.8	93.7	93.1	92.8	92.5
<b>Speed</b>	1494	1489	1484	1479	1474	1468
<b>Line amperes</b>	21.96	27.73	35.61	44.25	54.18	64.6

Performance Graph at 380V, 50Hz, 30.0HP Typical performance - Not guaranteed values

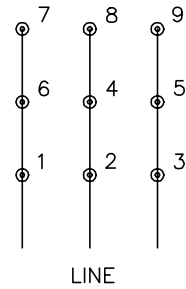




CD0180



LOW VOLTAGE  
(2D)



HIGH VOLTAGE  
(1D)



NOTES:

1. INTERCHANGE ANY TWO LINE LEADS TO REVERSE ROTATION.
2. OPTIONAL THERMOSTATS ARE PROVIDED WHEN SPECIFIED.
3. ACTUAL NUMBER OF INTERNAL PARALLEL CIRCUITS MAY BE A MULTIPLE OF THOSE SHOWN ABOVE.
4. LEAD COLORS ARE OPTIONAL. LEADS MUST ALWAYS BE NUMBERED AS SHOWN.

CD0180

REV. DESC: ADD CLASS CONN00000007		
REV. LTR: D	VERSION: 01	TDR: 000001099922
FILE: \AAA\00005\148	REVISED: 10:25:29 02/19/2019	BY: ENBRIRO
MTL: -	© □	

**BALDOR - RELIANCE®**

3PH, DV, 9 LEADS, DELTA CONNECTION

SH 1 of 1

Marketing maintained PDF of MN416:

<http://www.baldor.com/support/Literature/Load.ashx/MN416?ManNumber=MN416>