

BALDOR® • RELIANCE™

Customer information packet

DRX36724T

75HP, 3555RPM, 3PH, 60HZ, 365TS, TEFC, F1

Class - CLI GP C,D

Division - Division I

Specifications

Enclosure	TEFC
Frame	365TS
Frame Material	Iron
Frequency	60.00 Hz
Motor Letter Type	Three Phase
Output @ Frequency	75.000 HP @ 60 HZ
Phase	3
Synchronous Speed @ Frequency	3600 RPM @ 60 HZ
Voltage @ Frequency	230.0 V @ 60 HZ 460.0 V @ 60 HZ
XP Class and Group	CLI GP C,D
XP Division	Division I
Agency Approvals	CCSA US CSA CSA EEV UL
Ambient Temperature	40 °C
Auxillary Box	No Auxillary Box
Base Indicator	Rigid
Bearing Grease Type	Polyrex EM (-20F +300F)
Constant Torque Speed Range	6-60
Current @ Voltage	81.800 A @ 460.0 V 164.000 A @ 230.0 V
Design Code	B
Drip Cover	No Drip Cover
Duty Rating	CONT
Efficiency @ 100% Load	93.6 %
Feedback Device	NO FEEDBACK
Heater Indicator	No Heater
High Voltage Full Load Amps	81.8 a
Insulation Class	F
Inverter Code	Inverter Ready

Part detail

Revision	-
Type	AC
Mech. spec.	
Base	
Status	PRD/A
Elec. spec.	A36WG0026
Layout	611742-779
Eff. date	05-29-2019
CD Diagram	416820-002
Poles	02
Leads	3#2,6#4
Proprietary	False
Created date	04-30-2019

IP Rating	IP55
KVA Code	F
Lifting Lugs	Standard Lifting Lugs
Max Speed	4200 rpm
Motor Lead Quantity/Wire Size	3 @ 2 AWG
Motor Standards	NEMA
Motor Type	A36068M
Mounting Arrangement	F1
Number of Poles	2
Overall Length	31.35 IN
Power Factor	92
Product Family	General Industrial
Pulley End Bearing Type	Ball
Pulley Face Code	Standard
Service Factor	1.00
Shaft Diameter	1.875 IN
Shaft Ground Indicator	No Shaft Grounding
Shaft Rotation	Reversible
Shaft Slinger Indicator	Shaft Slinger
Speed	3555 rpm
Speed Code	Single Speed
Starting Method	Direct on line
Thermal Device - Bearing	None
Thermal Device - Winding	Normally Closed Thermostat
XP Temp Code	T3C

Nameplate

NP2496L	
MOBIL POLYREX EM	

000692000FX



000613006PC

CLASS I GROUP C D X **NO.****CLASS II GROUP** X X X**OPERATING TEMP CODE** T3C

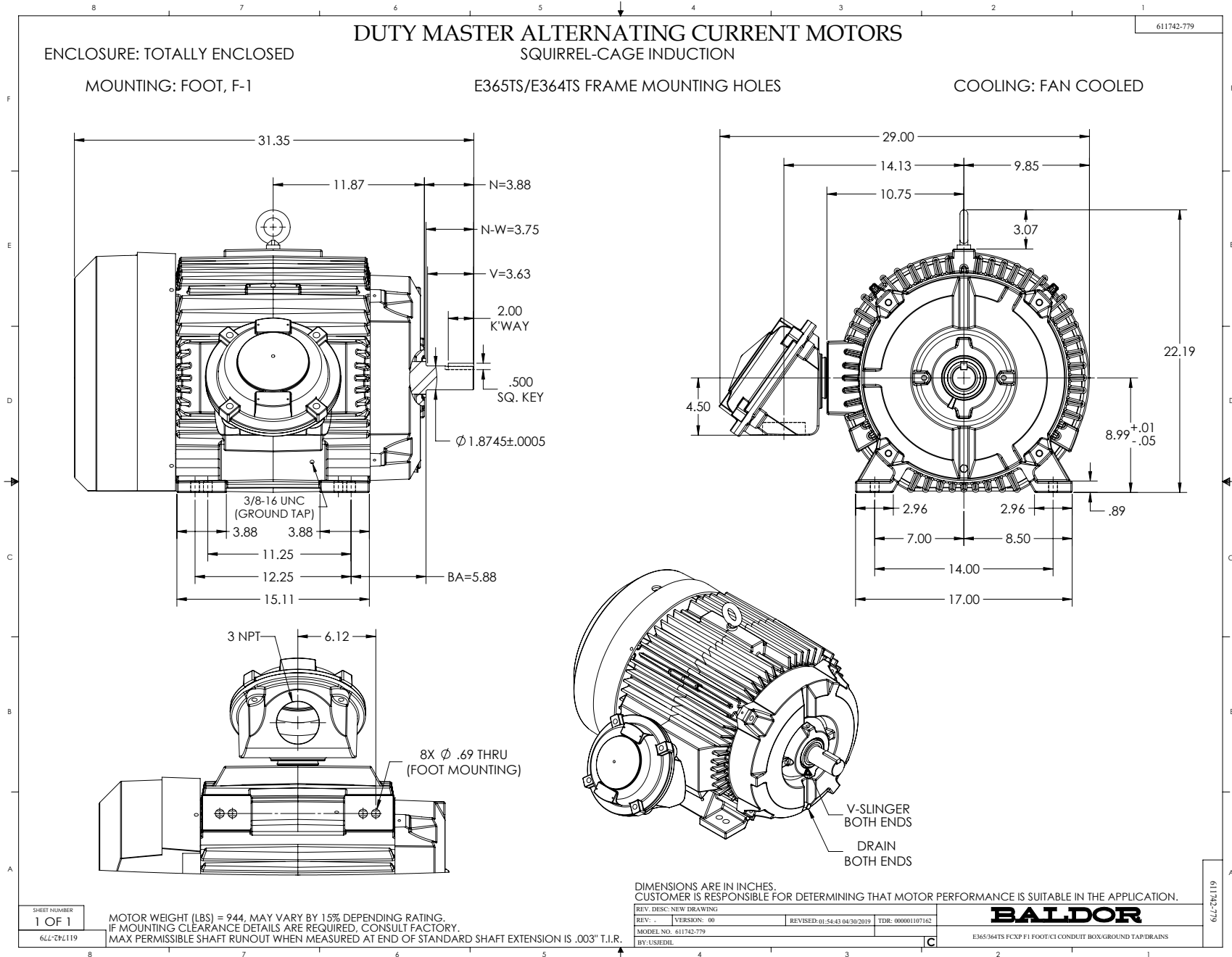
NP3140L

SPEC NO.	A36-5004-0026	CAT.NO.	DRX36724T	FRAME	365TS
HP	75	VOLTS	230/460	PHASE	3
RPM	3555	AMPS	164/81.8	HZ	60
DRIVE END BEARING	65BC03J30X	DUTY	CONT	INSUL.CLASS	F
OPP D.E. BEARING	65BC03J30X	ENCL	TEFC	CODE	F
SF	1.15	WK2	8.642	MAG CUR	31/15.5
CT HZ	6-60	VT HZ	0-60	CHP HZ	60-70
	SUIT FOR 55C AMB AT 1.00 SF			RPM MAX	4200
				NEMA-NOM-EFF	93.6
SER.NO.				IP55	
	MOTOR WEIGHT				

Parts list

Part number	Description	Quantity
SA369958	SA A36-5004-0026	1.000 ea
RA359579	RA A36-5004-0026	1.000 ea
421948032	LABEL, MYLAR	1.000 ea
NP2496L	MOTOR LUBE NAMEPLATE	1.000 ea
000692000JF	CAUTION LABEL TO PREVENT IGNITION	1.000 ea
000692000VD	LABEL WARNING	1.000 ea
000692000FX	UL LISTED LOGO LABEL 2.53 X 0.75 X .018	1.000 ea
000613006PC	N/P U/L (REL QTY 500)	1.000 ea
NP3140L	INVERTER DUTY, SS, CC, CSA-C US, CSA EEV	1.000 ea
609158001B	SLGR - 360	1.000 ea
603284001S	SLGR - 360	1.000 ea
087793060EN	BRKT STD ALT DWG E360 FCXP/POCKET FOR	1.000 ea
415072001B	CLAMP	1.000 ea
078559001A	+FANCV - 360	1.000 ea
034180012DA	KEY 1X4X1/4X1-1/2 L	1.000 ea
702676001C	FAN 360	1.000 ea
004824015A	GREASE POLYREX EM	0.540 lb
032018008AK	HHCS 1/4-20X1 PLATED	4.000 ea
032018018CK	HHCS 3/8-16X2-1/4 PLTD.	2.000 ea
415096002A	CPLG 1/8 HEX TYPE	1.000 ea
415045002E	SLGR	1.000 ea
410700004F	WSHR	1.000 ea
034017016AB	LCKW 1/2" PLATED	4.000 ea
035000001G	GREASE RELIEF FITTING, ALEMITE 317400	1.000 ea
034017012AB	LCKW 1/4 STD. PLATED 034017012AF	4.000 ea
032130020DB	HSHCS 1/2-13X2-1/2 PLTD.	4.000 ea
034017014AB	LCKW 3/8 STD. PLATED	2.000 ea
034530056AC	P/NIP 1/8X7L GALV-365	1.000 ea
402558000DDA	BRDRN	1.000 ea
034600001AA	BUSH 1/4TO1/8 BLACK	1.000 ea
034600001AA	BUSH 1/4TO1/8 BLACK	1.000 ea

087793060EN	BRKT STD ALT DWG E360 FCXP/POCKET FOR	1.000 ea
032018018CK	HHCS 3/8-16X2-1/4 PLTD.	2.000 ea
415045002E	SLGR	1.000 ea
034017016AB	LCKW 1/2" PLATED	4.000 ea
034017014AB	LCKW 3/8 STD. PLATED	2.000 ea
402558000DDA	BRDRN	1.000 ea
034530020AB	P/NIP 1/8X2-1/2 PLTED	1.000 ea
415096002A	CPLG 1/8 HEX TYPE	1.000 ea
032130020DB	HSHCS 1/2-13X2-1/2 PLTD.	4.000 ea
035000001G	GREASE RELIEF FITTING, ALEMITE 317400	1.000 ea
073646000E	C/B 320 WA073646000 KB	1.000 ea
064069000A	C/BC320/360 X 064069000B	1.000 ea
418150003A	GREASE FITTING CAP	1.000 ea
032018014DK	HHCS 1/2-13X1-3/4 PLTD	4.000 ea
063916001DE	+P/NIP 3X2-5/8 DIMPL-360	1.000 ea
034017016AB	LCKW 1/2" PLATED	4.000 ea
035000001A	ALFTG 1/8" 1610-BL	1.000 ea
415000103A	T/LUG #14AWG-#4AWG W/HOLE FOR .250 BOLT	1.000 ea
406099000A	PLUG - FAN COVER 320-440	1.000 ea
032018004AM	HHCS 1/4-20X1/2PLTD GREN	1.000 ea
034036012AB	CKW EXTERNAL TOOTH 1/4"	1.000 ea
035000001A	ALFTG 1/8" 1610-BL	1.000 ea
418150003A	GREASE FITTING CAP	1.000 ea
MG1025G29	WILKOFAS, 789.229, DARK CHARCOAL GRAY	0.250 ga
033775004EA	DRSCR #6-1/4 304 S.S.	8.000 ea
034180016GA	KEY 1/2X1/2X2 L	1.000 ea
14PA1000	PACKAGING 314 GROUP COMBINED PRINT	1.000 ea
HW1000A32	5/16 FL WASHER WIDE,ID=.344,OD=1.125	3.000 ea
032509020C	CARRIAGE BOLT - 360	3.000 ea



CONNECTION DIAGRAM ACCESSORIES

MOTOR WINDING THERMOSTATS	
CONTACTS _____ @ _____ °C	
FIGURE NUMBER _____	
CONTACT RATING	
VOLTS	CONTINUOUS AMPERES
110-120	3.0
220-240	1.5
440-480	0.75
550-600	0.60
	INRUSH AMPERES
	30
	15
	7.5
	6.0

NORMALLY CLOSED	THERMOSTATS	NORMALLY OPEN
<p>FIGURE 1</p>		<p>FIGURE 4</p>
<p>FIGURE 2</p>		<p>FIGURE 5</p>
<p>FIGURE 3</p>		<p>FIGURE 6</p>
<p>FIGURE 7</p>		<p>FIGURE 8</p>

CUSTOMER _____ CUSTOMER ORDER NO. _____ S.O. NO. _____

418174-006

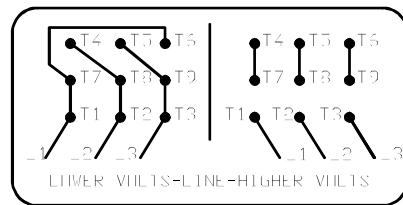
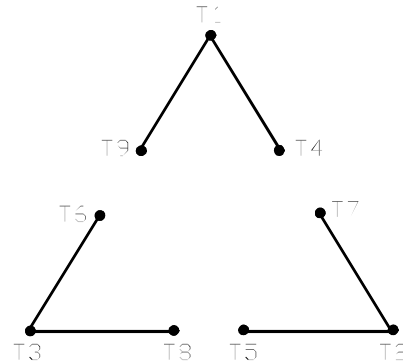
418174-006

REV. DESC: LOADED TO BUS		
REV. LTR: A	VERSION: 01	TDR: 000000570390
FILE: \RAG\00013\849	REVISED: 10:16:21 12/07/2010	BY: RAGDRF
MTL: -		

BALDOR
A-C MOTOR CONNECTION ACCESSORIES
SH 1 of 1

416820-002

A-C MOTOR
 CONNECTION DIAGRAM
 STANDARD 9 LEAD DELTA-CONNECTED



(N.P. 1575-B)

416820-002

REV. DESC: FONT CHANGE FOR PDF SEARCHABLE		
REV. LTR: A	VERSION: 01	TDR: 000001009382
FILE: \MGA\00000\661	REVISED: 02:46:19 02/13/2020	BY: MGHMTT
MTL: -		© □

BALDOR - RELIANCE®

CONN DIAG - STANDARD 9 LEAD, DELTA-CONNECTED

SH 1 of 1