

**BALDOR® • RELIANCE®**

---

# Customer information packet

## DRX40144T

100HP, 1785RPM, 3PH, 60HZ, 405T, TEFC, F1

Class - CLI GP C,D

Division - Division I

## Specifications

Enclosure	TEFC
Frame	405T
Frame Material	Iron
Frequency	60.00 Hz
Motor Letter Type	Three Phase
Output @ Frequency	100.000 HP @ 60 HZ
Phase	3
Synchronous Speed @ Frequency	1800 RPM @ 60 HZ
Voltage @ Frequency	230.0 V @ 60 HZ 460.0 V @ 60 HZ
XP Class and Group	CLI GP C,D
XP Division	Division I
Agency Approvals	CSA CSA EEV UL CCSA US
Ambient Temperature	40 °C
Auxillary Box	No Auxillary Box
Base Indicator	Rigid
Bearing Grease Type	Polyrex EM (-20F +300F)
Constant Torque Speed Range	6-60
Current @ Voltage	112.000 A @ 460.0 V 224.000 A @ 230.0 V
Design Code	B
Drip Cover	No Drip Cover
Duty Rating	CONT
Efficiency @ 100% Load	95.4 %
Feedback Device	NO FEEDBACK
Heater Indicator	No Heater
High Voltage Full Load Amps	112.0 a
Insulation Class	F
Inverter Code	Inverter Ready

## Part detail

Revision	-
Type	AC
Mech. spec.	
Base	
Status	PRD/A
Elec. spec.	A40WGO692
Layout	617433-608
Eff. date	03-26-2019
CD Diagram	416820-002
Poles	04
Leads	3#2,6#4
Proprietary	False
Created date	03-08-2019

<b>IP Rating</b>	IP55
<b>KVA Code</b>	G
<b>Max Speed</b>	3600 rpm
<b>Motor Lead Quantity/Wire Size</b>	3 @ 2 AWG
<b>Motor Standards</b>	NEMA
<b>Motor Type</b>	A40064M
<b>Mounting Arrangement</b>	F1
<b>Number of Poles</b>	4
<b>Overall Length</b>	38.22 IN
<b>Power Factor</b>	87
<b>Product Family</b>	General Industrial
<b>Pulley End Bearing Type</b>	Ball
<b>Pulley Face Code</b>	Standard
<b>Service Factor</b>	1.15
<b>Shaft Diameter</b>	2.875 IN
<b>Shaft Ground Indicator</b>	No Shaft Grounding
<b>Shaft Rotation</b>	Reversible
<b>Shaft Slinger Indicator</b>	Shaft Slinger
<b>Speed</b>	1785 rpm
<b>Speed Code</b>	Single Speed
<b>Starting Method</b>	Direct on line
<b>Thermal Device - Winding</b>	Normally Closed Thermostat
<b>XP Temp Code</b>	T3C

**Nameplate**

---

NP2496L	
MOBIL POLYREX EM	

---

---

**000613006PC**

---

**CLASS I GROUP** C D X **NO.****CLASS II GROUP** X X X**OPERATING TEMP CODE** T3C

---

**NP3140L**

<b>SPEC NO.</b>	A40-7255-0692	<b>CAT.NO.</b>	DRX40144T	<b>FRAME</b>	405T
<b>HP</b>	100	<b>VOLTS</b>	230/460	<b>PHASE</b>	3
<b>RPM</b>	1785	<b>AMPS</b>	224/112	<b>DESIGN</b>	B
<b>DRIVE END BEARING</b>	80BC03J30X	<b>DUTY</b>	CONT	<b>TYPE</b>	P
<b>OPP D.E. BEARING</b>	80BC03J30X	<b>ENCL</b>	TEFC	<b>INSUL.CLASS</b>	F
<b>SF</b>	1.15	<b>WK2</b>	26.346	<b>AMB</b>	40
<b>CT HZ</b>	6-60	<b>MAG CUR</b>	28.6	<b>CHP HZ</b>	60-90
		<b>RPM MAX</b>	3600	<b>NEMA-NOM-EFF</b>	95.4
	SUIT FOR 55C AMB AT 1.00 SF			IP55	
<b>SER.NO.</b>		<b>MOTOR WEIGHT</b>	1326		

## Parts list

Part number	Description	Quantity
SA367505	SA A40-7255-0692	1.000 ea
RA356965	RA A40-7255-0692	1.000 ea
421948032	LABEL, MYLAR	1.000 ea
NP2496L	MOTOR LUBE NAMEPLATE	1.000 ea
000692000VD	LABEL WARNING	1.000 ea
LB1073	ALUM XP CAUTION LABEL	1.000 ea
000613006PC	N/P U/L (REL QTY 500)	1.000 ea
NP3140L	INVERTER DUTY, SS, CC, CSA-C US, CSA EEV	1.000 ea
HW4506A02	BREATHING/DRAIN-EXP PROOF-.125-27 NPTF AI	2.000 ea
609158001E	SLGR - 400	1.000 ea
603284001Y	SLGR - 400	1.000 ea
089416503A	G400 STD BRKT MACHINING 6316 BE OR FE	1.000 ea
415072001B	CLAMP	1.000 ea
083198101A	G400 STD FAN COVER MACHINING	1.000 ea
034180012DA	KEY 1X4X1/4X1-1/2 L	1.000 ea
078548001R	FAN KB 234/150 (84) 400	1.000 ea
004824015A	GREASE POLYREX EM	0.880 lb
032130022GB	HHCS 7/8-9X2-3/4 PLTD.	4.000 ea
032018008CK	HHCS 3/8-16X1L PLATED	4.000 ea
032018030CK	HHCS 3/8-16X3-3/4 PLATED	3.000 ea
415096002A	CPLG 1/8 HEX TYPE	1.000 ea
415045002B	SLGR	1.000 ea
410700000DA	WAVY SPRING WASHER	1.000 ea
035000001G	GREASE RELIEF FITTING, ALEMITE 317400	1.000 ea
034000014AB	WSH ID.406 OD.812 TH.065	4.000 ea
034530052AB	P/NIP 1/8X6-1/2 Zinc	1.000 ea
034530056BB	P/NIP 1/4X7 SCHED 40	1.000 ea
034631002AB	BUSH 1/4 TO 1/8 PLTD.	1.000 ea
034600001AA	BUSH 1/4TO1/8 BLACK	1.000 ea
034600001AA	BUSH 1/4TO1/8 BLACK	1.000 ea
089416503A	G400 STD BRKT MACHINING 6316 BE OR FE	1.000 ea

032018024CK	HHCS 3/8-16X3 PLTD.	3.000 ea
415045002B	SLGR	1.000 ea
034017014AB	LCKW 3/8 STD. PLATED	3.000 ea
034530024AB	PNIPL 1/8X3L PLATED	1.000 ea
415096002A	CPLG 1/8 HEX TYPE	1.000 ea
032130024GB	HSHCS 7/8-9NC X 3" LONG PLATED	4.000 ea
035000001G	GREASE RELIEF FITTING, ALEMITE 317400	1.000 ea
16CB1001A01	CONDUIT BOX MACH GRP C MTRS 16CB1001	1.000 ea
16CB1501A01	CONDUIT BOX LID MACH.GRP C MTRS 16CB1501	1.000 ea
418150003A	GREASE FITTING CAP	1.000 ea
034017018AB	5/8 MED LOCK WASHER ZP (034017018AF)	8.000 ea
034017014AB	LCKW 3/8 STD. PLATED	4.000 ea
035000001A	ALFTG 1/8" 1610-BL	1.000 ea
032130016EB	HSHCS 5/8-11X2 PLTD.	8.000 ea
047024002J	TERMINAL LUG - MAKE FROM 047024002F	1.000 ea
406099000A	PLUG - FAN COVER 320-440	1.000 ea
032018008DK	HHCS 1/2-13X1 PLATED	1.000 ea
034017016AB	LCKW 1/2" PLATED	1.000 ea
032130014CB	HSHCS 3/8-16X1-3/4 PLTD.	4.000 ea
035000001A	ALFTG 1/8" 1610-BL	1.000 ea
418150003A	GREASE FITTING CAP	1.000 ea
MG1025G29	WILKOFAS, 789.229, DARK CHARCOAL GRAY	0.380 ga
033775004EA	DRSCR #6-1/4 304 S.S.	8.000 ea
034180045JA	KEY,DE	1.000 ea
604797045	STD. 400 FRAME SKID	1.000 ea
032510024D	CARRIAGE BOLT - 444	2.000 ea
034001014AB	FLAT WASHER 3/8" PLATED	2.000 ea
034001016AB	WSHR .562ID 1.375OD .109	2.000 ea
033300014AC	HEX NUT, SHIPPING - 400	2.000 ea
604799003C	PLASTIC BAG 42X32X46	1.000 ea



617433-608

**DUTY MASTER ALTERNATING CURRENT MOTORS**  
SQUIRREL-CAGE INDUCTION

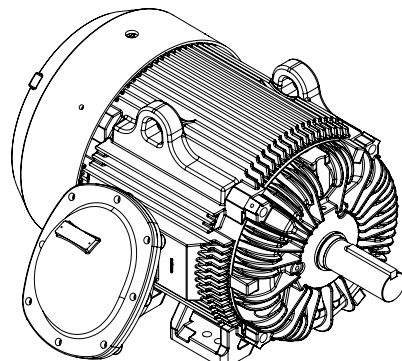
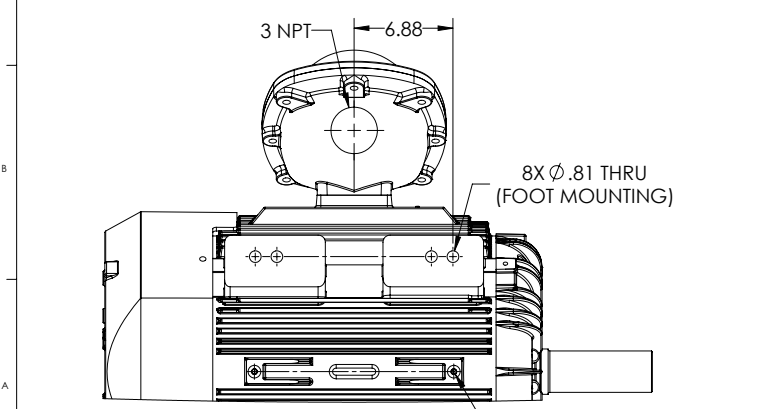
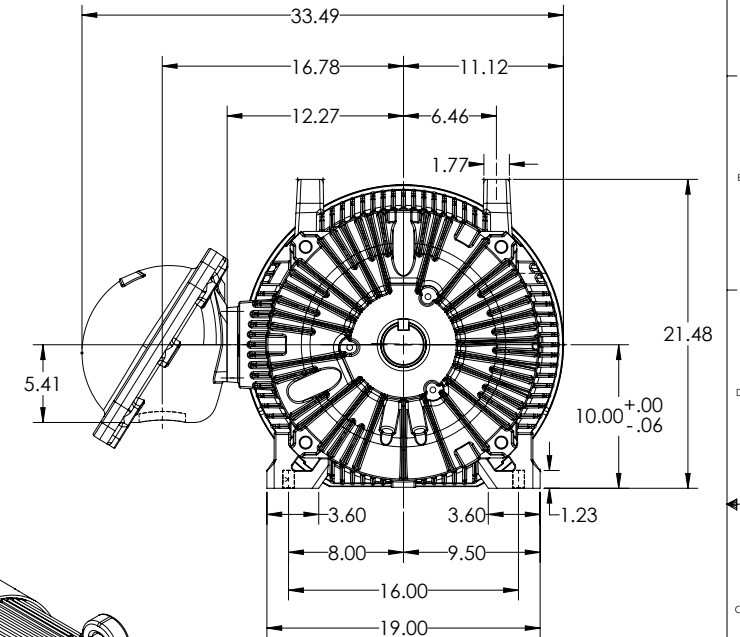
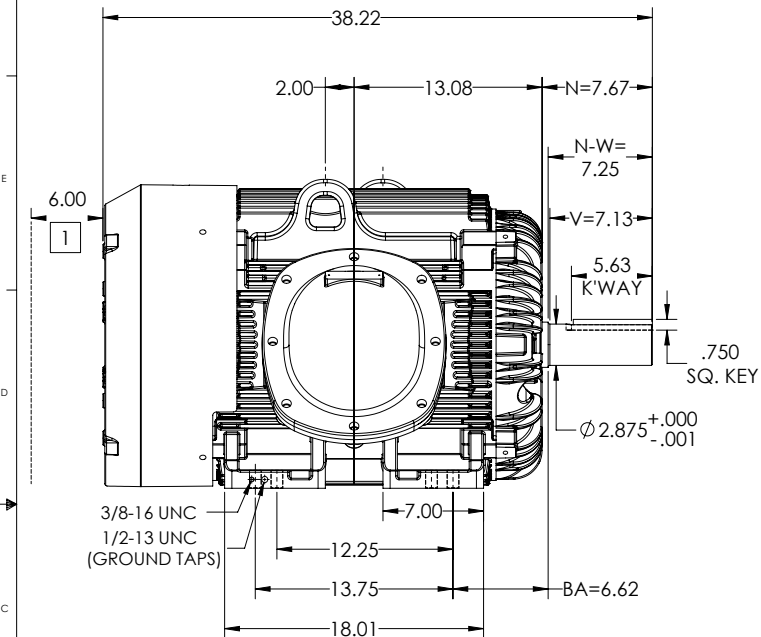
ENCLOSURE: X/P, UNDERWRITERS LISTED

MOUNTING: FOOT, F-1 MOUNT

G405T/G404T FRAME MOUNTING HOLES

COOLING: FAN COOLED

CL. 1, GRP. C & D



DIMENSIONS ARE IN INCHES.  
WEIGHT: 1400 LBS ± 15% DEPENDING ON RATING.  
IF MOUNTING CLEARANCE DETAILS ARE REQUIRED, CONSULT FACTORY.  
MAX PERMISSIBLE SHAFT RUNOUT WHEN MEASURED AT END OF STANDARD SHAFT EXTENSION IS .003" T.I.R.  
CUSTOMER IS RESPONSIBLE FOR DETERMINING THAT MOTOR PERFORMANCE IS SUITABLE IN THE APPLICATION.

SHEET NUMBER  
**1 OF 1**  
809-EEZ-119

**1** OBSTRUCTION MUST NOT ENCR OACH ON AIR INLET.

REV. DESC: NEW DRAWING			
REV: -	VERSION: 00	REVISED: 02-53-03 03/08/2019	TDR: 000001101608
MODEL NO. 617433-608		REF:	
BY: USJEDIL	Material:	C	

**BALDOR**  
G405/404T TEFC XP F1 FOOT/CAST IRON BOX/CL.1 GRP C & D

617433-608

# CONNECTION DIAGRAM ACCESSORIES

MOTOR WINDING THERMOSTATS	
CONTACTS _____ @ _____ °C	
FIGURE NUMBER _____	
CONTACT RATING	
VOLTS	CONTINUOUS AMPERES
110-120	3.0
220-240	1.5
440-480	0.75
550-600	0.60
	INRUSH AMPERES
	30
	15
	7.5
	6.0

NORMALLY CLOSED	THERMOSTATS	NORMALLY OPEN
 FIGURE 1		 FIGURE 4
 FIGURE 2		 FIGURE 5
 FIGURE 3		 FIGURE 6
 FIGURE 7		 FIGURE 8

CUSTOMER \_\_\_\_\_ CUSTOMER ORDER NO. \_\_\_\_\_ S.O. NO. \_\_\_\_\_

418174-006

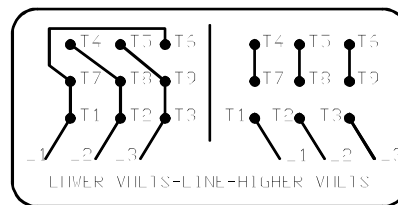
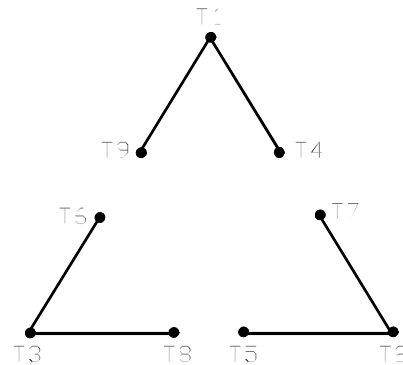
418174-006

REV. DESC: LOADED TO BUS		
REV. LTR: A	VERSION: 01	TDR: 000000570390
FILE: \RAG\00013\849	REVISED: 10:16:21 12/07/2010	BY: RAGDRF
MTL: -		

**BALDOR**  
A-C MOTOR CONNECTION ACCESSORIES  
SH 1 of 1

416820-002

A-C MOTOR  
 CONNECTION DIAGRAM  
 STANDARD 9 LEAD DELTA-CONNECTED



(N.P. 1575-B)

416820-002

REV. DESC: FONT CHANGE FOR PDF SEARCHABLE		
REV. LTR: A	VERSION: 01	TDR: 000001009382
FILE: \MGA\00000\661	REVISED: 02:46:19 02/13/2020	BY: MGHMTT
MTL: -		© □

**BALDOR - RELIANCE®**

CONN DIAG - STANDARD 9 LEAD, DELTA-CONNECTED

SH 1 of 1