

DATE
February 16, 2004

OUTLINE DIMENSIONS
3-PHASE INDUCTION MOTOR

MODEL TYPE:
ASGHPE

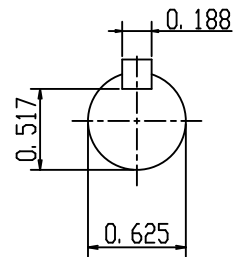
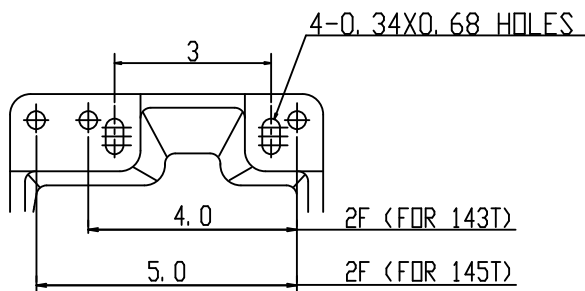
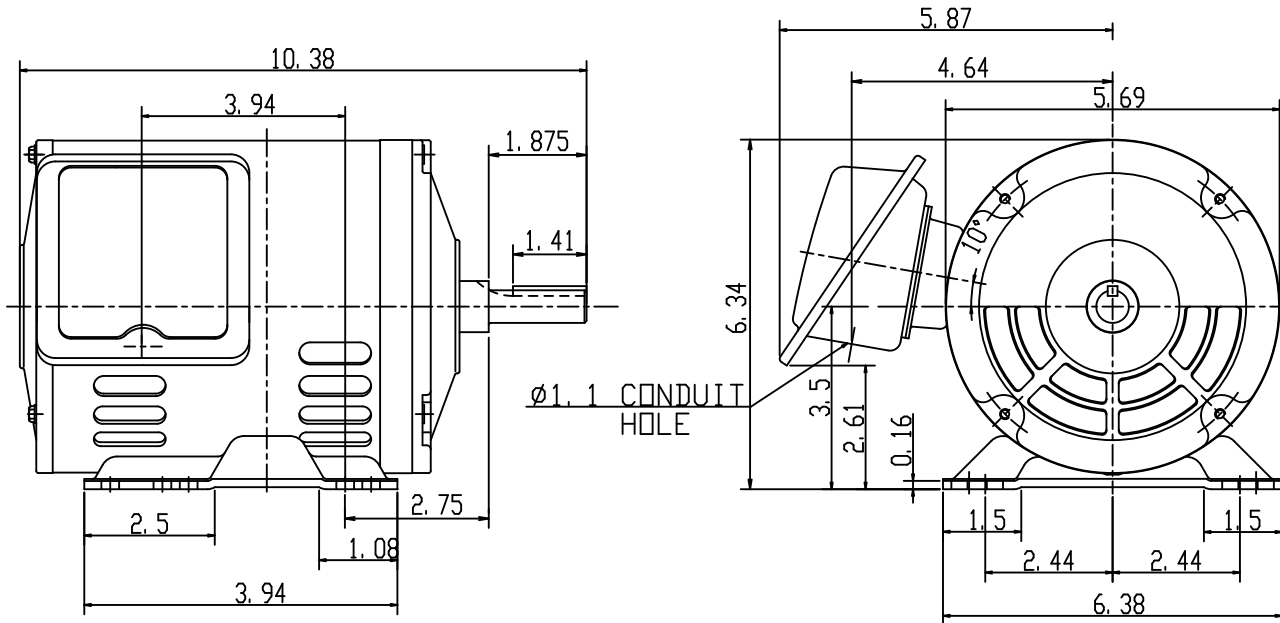
CATALOG NO.
DSPO_74

FRAME NO. A56

Pole	HP	KW	Hz	VOLT	Syn. Speed R. P. M
4	3/4	.55	60	230/460	1800

Ins.	Rating	Dimensions in	Approx Weight	Bearings
F	CONT.	inch	24.0 lbs	DE: 6204ZZ NDE: 6203ZZ

OPEN DRIP - PROOF



SCALE=3: 1

APPD.	W. H. TSAI	07 21 03
CHKD.	J. B. CHEN	07 20 03
DWN.	Y. Y. CHEN	07 20 03

TEC   Westinghouse

DWG NO.
31049Z105
0830

TECO Westinghouse

ISSUED 10/7/2015	PERFORMANCE DATA 3-PHASE INDUCTION MOTOR	ENCLOSURE ODP
TYPE ASGHPE		CATALOG# DSP0/74

NAMEPLATE INFORMATION

OUTPUT		POLE	FRAME SIZE	VOLTS	HZ	RATED AMBIENT	INS. CLASS	NEMA DESIGN	TIME RATING	SERVICE FACTOR
HP	KW									
0.75	0.56	4	56	230/460	60	40°C	F	B	CONT.	1.15

TYPICAL PERFORMANCE

FULL LOAD RPM	EFFICIENCY				POWER FACTOR			MAXIMUM POWER FACTOR CORRECTION
	FULL LOAD		3/4 LOAD	1/2 LOAD	FULL LOAD	3/4 LOAD	1/2 LOAD	
	MIN%	NOM%						
1730	75.5	78.5	78.0	74.0	75.5	65.5	51.5	0.68 KVAR

CURRENTS

NO LOAD				FULL LOAD				LOCKED ROTOR				NEMA KVA CODE LETTER
AT	AT	AT	AT	AT	AT	AT	AT	AT	AT	AT	AT	
200 VOLT	208 VOLT	230 VOLT	460 VOLT	200 VOLT	208 VOLT	230 VOLT	460 VOLT	200 VOLT	208 VOLT	230 VOLT	460 VOLT	
1.51	1.64	2.0	1.0	2.73	2.62	2.4	1.2	20.7	19.9	18.0	9.0	L

TORQUE

INERTIA

ACCEL TIME

FULL LOAD	LOCKED ROTOR	PULL UP	BREAK DOWN	ROTOR	NEMA LOAD	MAX ALLOWABLE	NEMA LOAD	MAX ALLOWABLE
lb-ft	%FLT	%FLT	%FLT	WR ²	WK ²	WK ²	WK ²	WK ²
				lb-ft ²	lb-ft ²	lb-ft ²	Sec.	Sec.
2.28	270	260	350	0.042	4.4	26.4	3.89	23.19

SAFE STALL TIME IN SECONDS		ALLOWABLE STARTS PER HOUR		SOUND PRESSURE LEVEL @ 3 FT dB(A)
COLD	HOT	COLD	HOT	
48	33	2	1	53

APPROVED:	M. PRATER	DRAWING NO.	31057DSP0/74	REV. 0
-----------	------------------	-------------	---------------------	---------------

DATE:
June 28, 2005

CONNECTION DIAGRAM

CATALOG NO.:
DSP0_+(



SCHEMATIC - 2Y/Y CONNECTION

ACROSS THE LINE CONNECTION



**LINE
230 VOLT CONNECTION**



**LINE
460 VOLT CONNECTION**