

PRODUCT INFORMATION PACKET



Model No: E119351.00

Catalog No: E119351.00

E119351.00..1/2HP..1725RPM.56.DP.230/460V.3PH.60HZ.CONT.40C.1.25SF.RIGID.C6T17DB113.....GENERAL PURP
OSE.T-STAT.....

General Purpose Motors



Regal and Leeson are trademarks of Regal Rexnord Corporation or one of its affiliated companies.

©2022 Regal Rexnord Corporation, All Rights Reserved. MC017097E



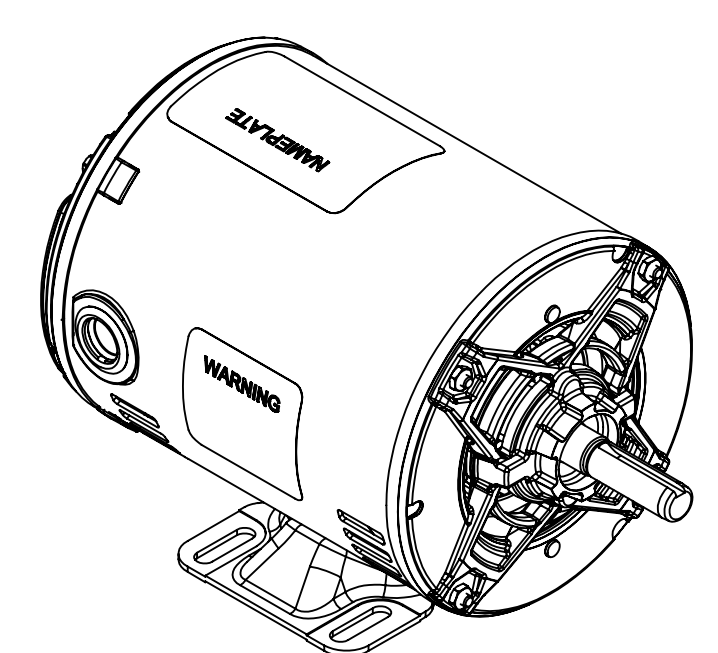
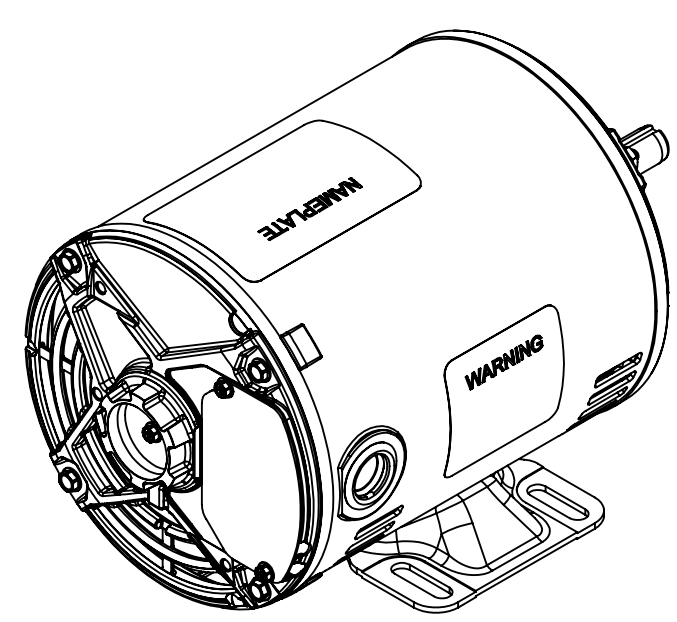
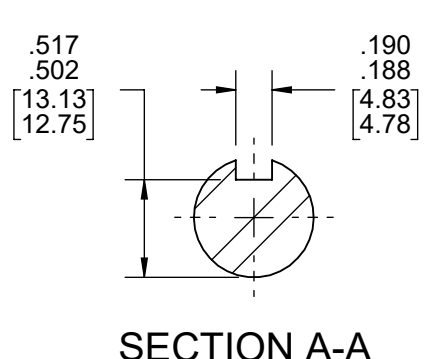
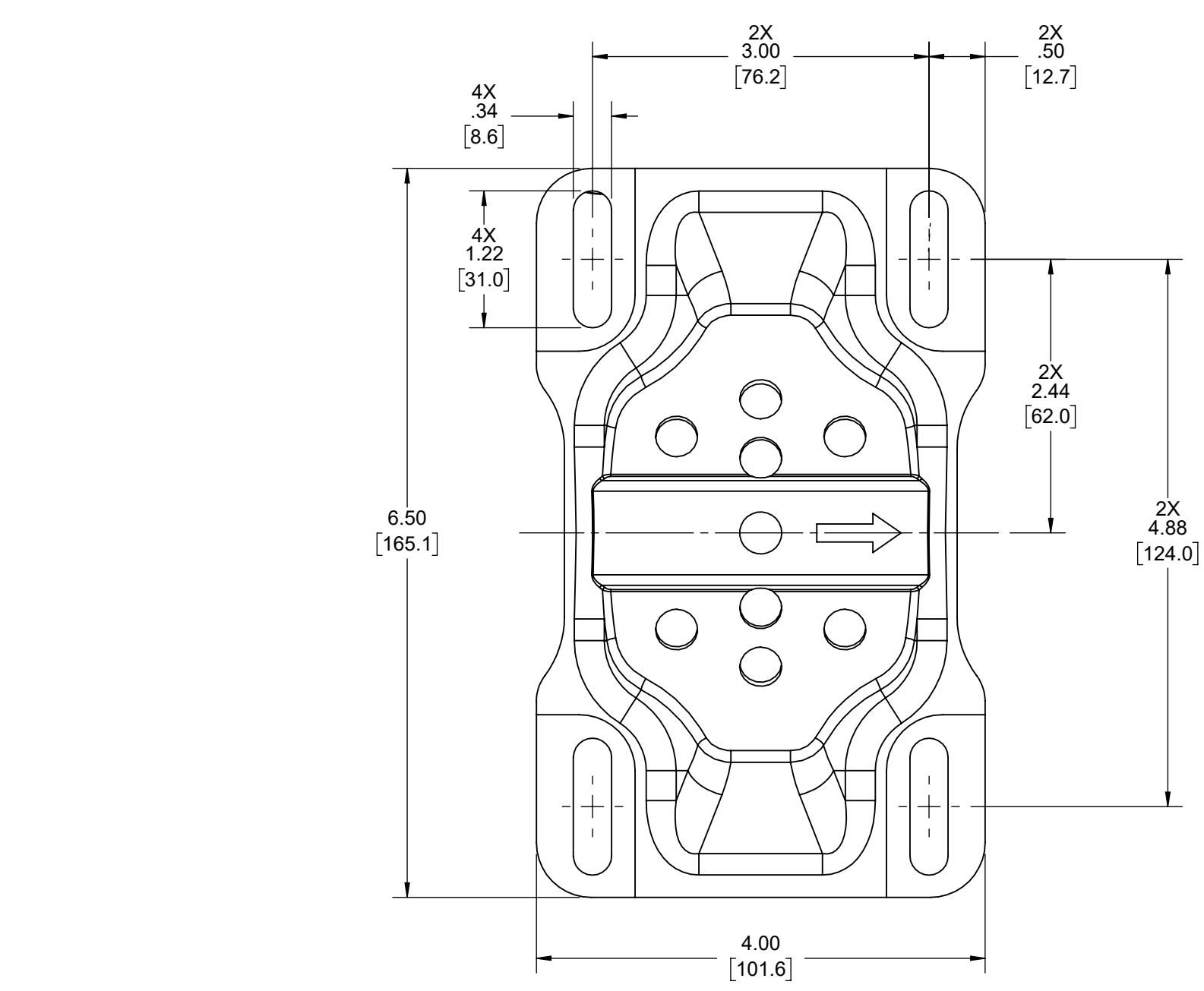
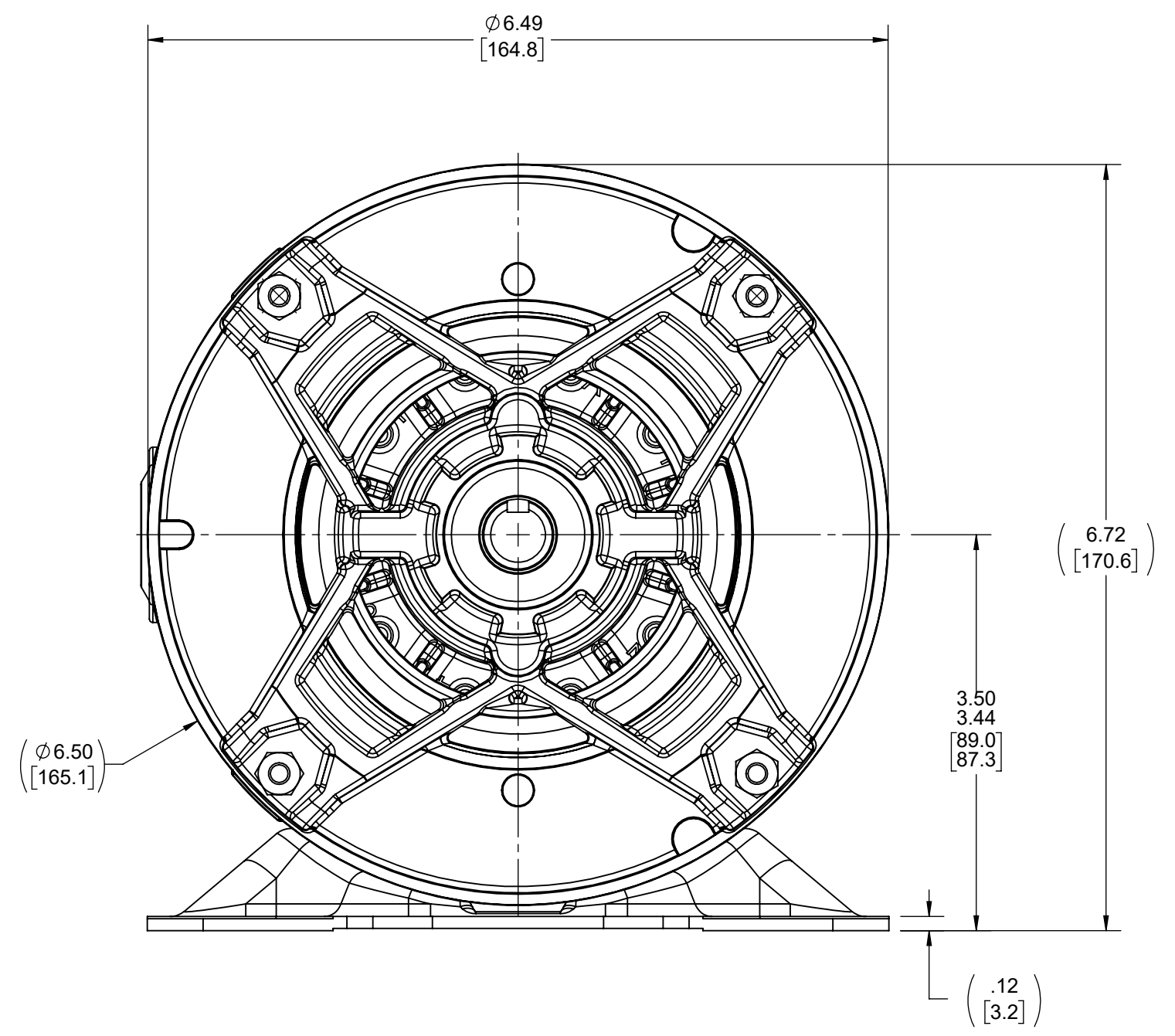
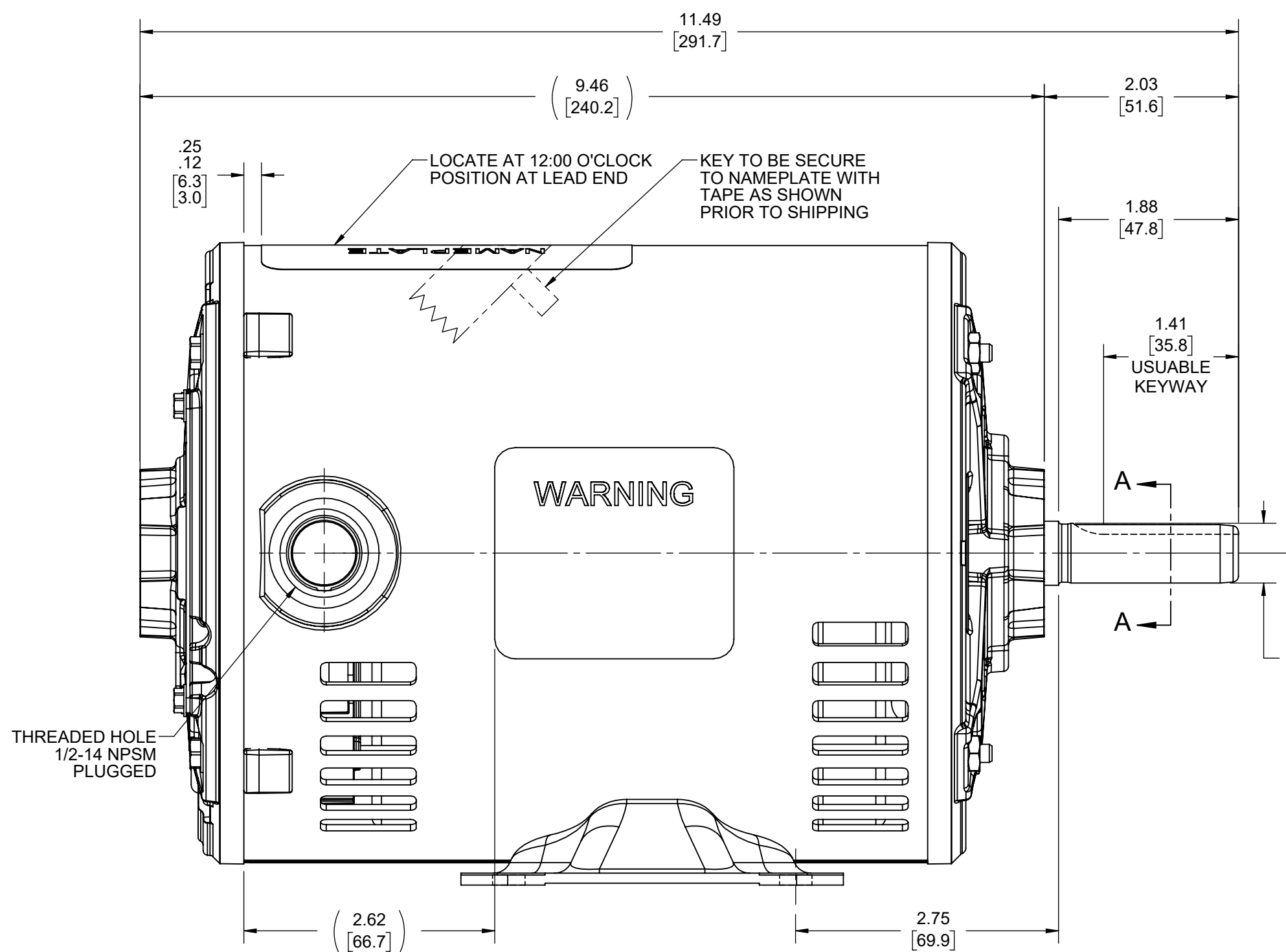


Nameplate Specifications

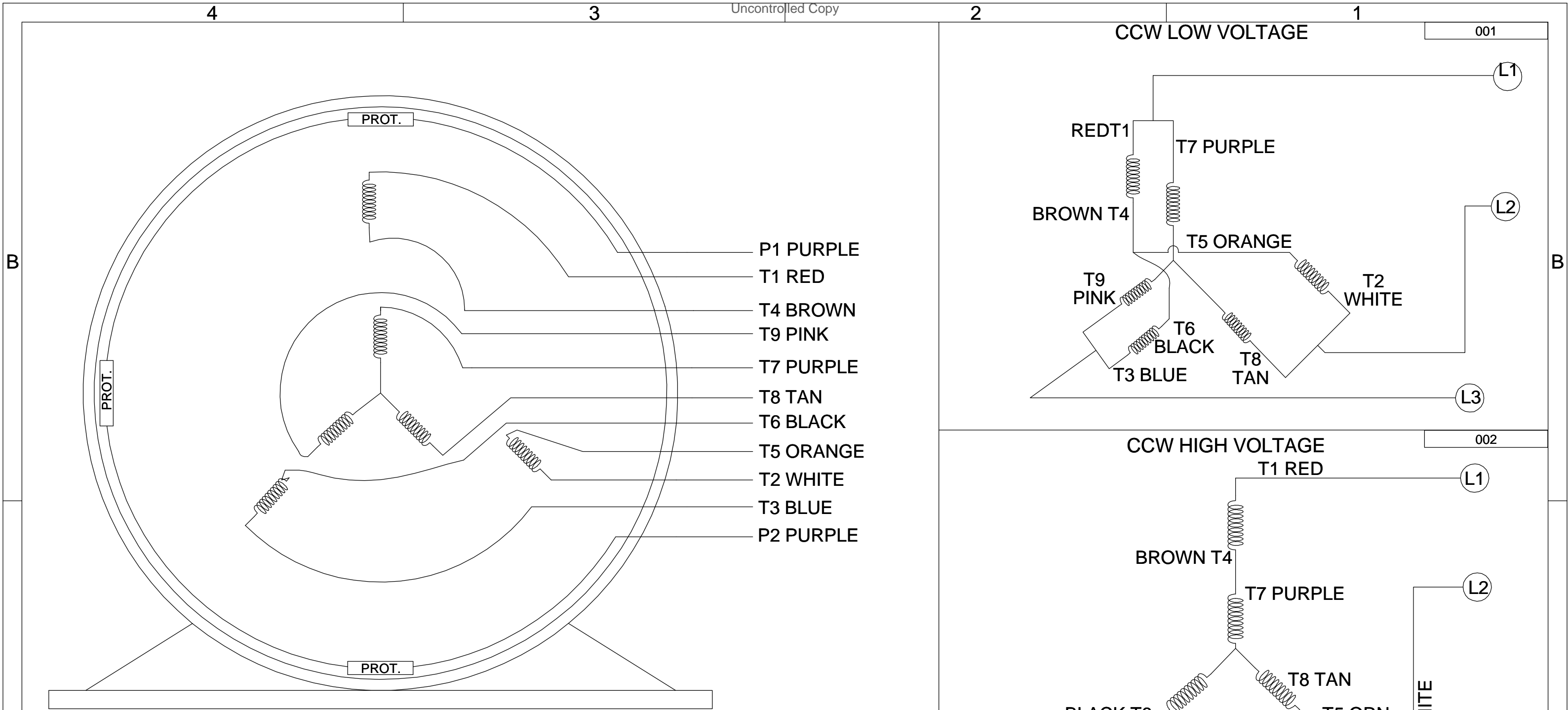
Output HP	0.50 Hp	Output KW	0.37 kW
Frequency	60 Hz	Voltage	208-230/460 V
Current	1.7-1.8/0.90 A	Speed	1725 rpm
Service Factor	1.25	Phase	3
Efficiency	78.2 %	Power Factor	66.5
Duty	Continuous	Insulation Class	B
Design Code	B	KVA Code	P
Frame	56	Enclosure	Drip Proof
Thermal Protection	Thermostats (N/C)	Ambient Temperature	40 °C
Drive End Bearing Size	6203	Opp Drive End Bearing Size	6203
UL	Recognized	CSA	Y
CE	Y	IP Code	22
Number of Speeds	1		

Technical Specifications

Electrical Type	Squirrel Cage Inverter Rated	Starting Method	Line Or Inverter
Poles	4	Rotation	Reversible
Resistance Main	23.2 Ohms	Mounting	Rigid Base
Motor Orientation	Horizontal	Drive End Bearing	Ball
Opp Drive End Bearing	Ball	Frame Material	Rolled Steel
Shaft Type	NEMA 56	Overall Length	9.87 in
Frame Length	5.00 in	Shaft Diameter	0.625 in
Shaft Extension	1.88 in	Assembly/Box Mounting	F1 ONLY
Inverter Load	CONSTANT 10:1		
Outline Drawing	OL56100598-005	Connection Drawing	CDTD113

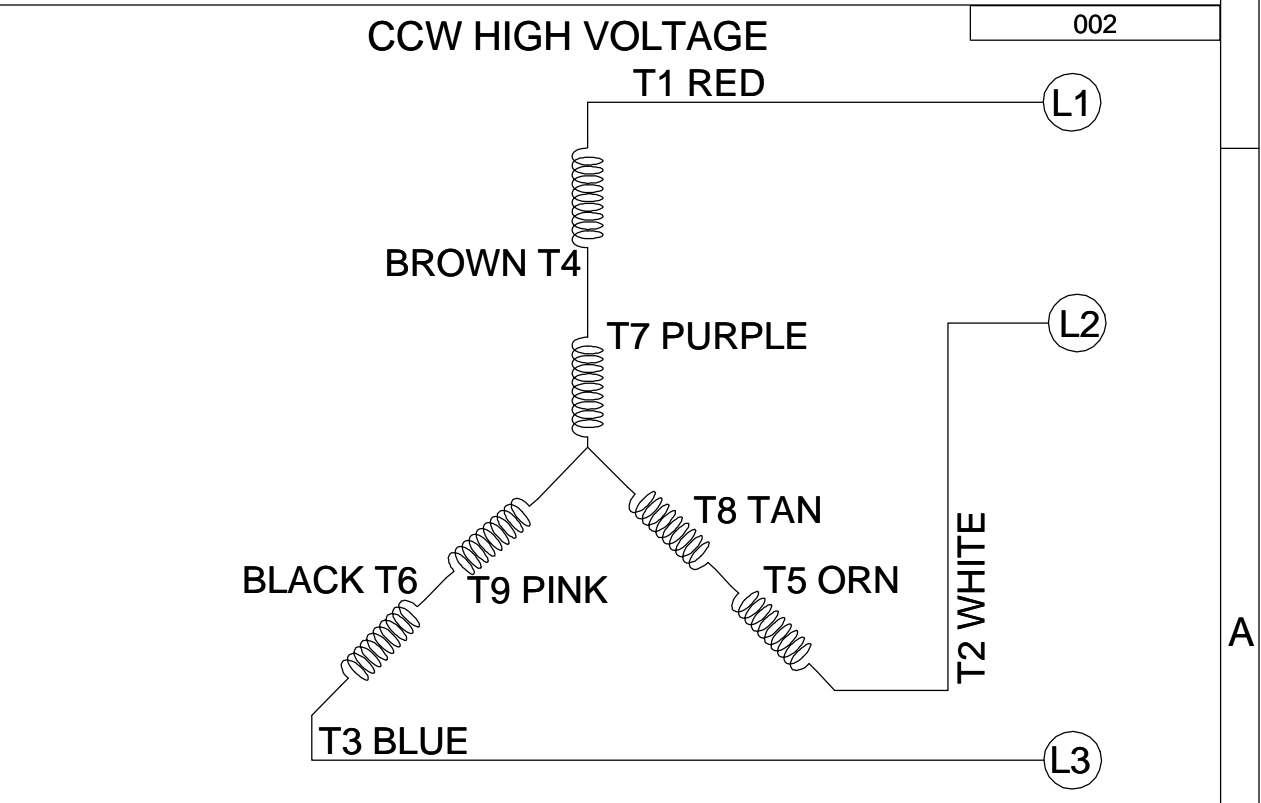
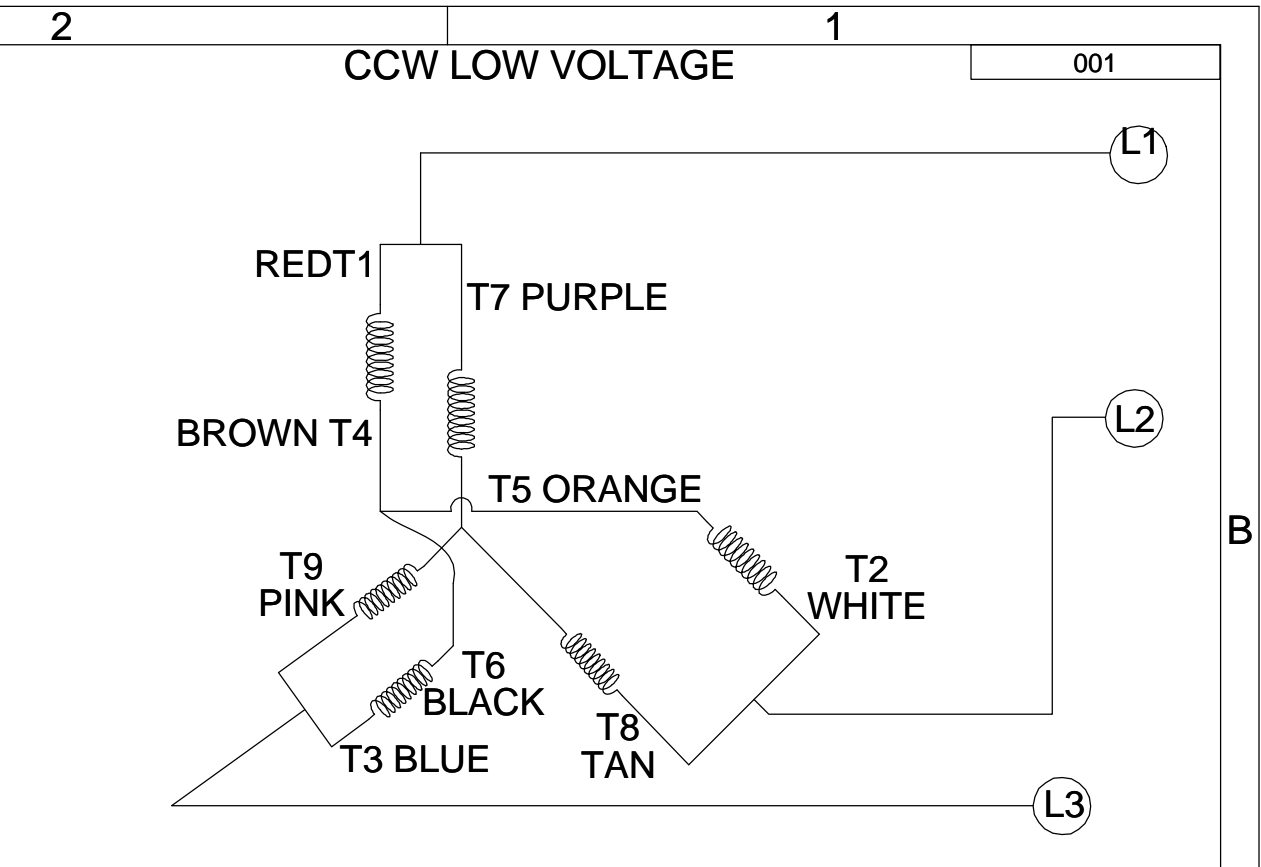


DRAWING REVISION B	REVISION BY D. VALENCIANO	REV DATE/@ DATE 11-04-2021	TOLERANCES (EXCEPT AS NOTED):				DRAWN BY KHADHAR	Regal Rexnord Regal Beloit America, Inc.		
REQUEST NUMBER ECR-0213606	APPROVED BY S. CIPRIANO	DATE 11-04-2021	DEC.	INCH	mm	ANGLE	DATE 10/27/2021			
REQUEST NUMBER DESCRIPTION WAS ADDED THE LABEL WARNING			.X	±0.1	[±3]	±0.5°	APPROVED BY PVR	DESCRIPTION OUTLINE		
<small>COPYRIGHT (PER REVISION DATE) REGAL BELOIT AMERICA, INC. ALL RIGHTS RESERVED. PROPRIETARY AND CONFIDENTIAL INFORMATION - THIS DOCUMENT IS THE PROPERTY OF REGAL BELOIT AMERICA, INC. ('OWNER') AND CONTAINS OWNER'S PROPRIETARY INFORMATION. ANY PERSON, CORPORATION OR OTHER FIRM RECEIVING IT IS DEEMED, BY RECEIVING IT, TO AGREE THAT IT, AND/OR ANY PART OF IT, SHALL NOT BE DISCLOSED TO ANY PERSON, CORPORATION OR OTHER ENTITY, DUPLICATED, AND/OR USED, EXCEPT AS EXPRESSLY APPROVED IN WRITING IN ADVANCE BY OWNER. THIS DOCUMENT SHALL BE RETURNED TO OWNER UPON REQUEST. IT MAY BE SUBJECT TO CERTAIN RESTRICTIONS UNDER APPLICABLE EXPORT CONTROL LAWS AND REGULATIONS.</small>			.XXX	±0.005	[±0.13]		DATE 10/27/2021	MATERIAL 56FR,DP,3-PHASE,RIGID		
			.XXXX	±0.0005	[±0.013]		REFERENCE OL56100521	PROCESS/FINISH		
			REMOVE BURRS & BREAK SHARP EDGES: .003/.015 [.08/.38] X 45° CORNER FILLETS: R.02 [.5] MACHINED SURFACES: .125 /mm 3.2 INCH /mm mm DIMENSIONS IN [BRACKETS] ARE FOR REFERENCE ONLY				THIRD ANGLE PROJECTION	SIZE C	DRAWING NUMBER OL56100598-005	SHEET 1 OF 1



VIEW OF TERMINAL END

- NOTES:
1. TO REVERSE ROTATION, INTERCHANGE ANY TWO LINE CONNECTIONS TO L1, L2, OR L3.
 2. CONNECTION DIAGRAM-NAMEPLATE DD10042-002.



DRAWING REVISION D		REVISION BY KHADHAR	DATE 12/05/2018	TOLERANCES UNLESS OTHERWISE SPECIFIED:		DRAWN BY G. RODRIGUEZ		Regal Beloit America, Inc.			
ECO ECO-0157853		APPROVED BY CD	DATE 12/05/2018	DEC.	INCH	mm	ANGLE				
ECO DESCRIPTION UPDATED CONNECTION DIAGRAM NAMEPLATE NUM.				.X	±0.1	[±2.5]	±0.5°	DATE 25-01-2016			
COPYRIGHT REGAL BELOIT AMERICA, INC. ALL RIGHTS RESERVED. PROPRIETARY AND CONFIDENTIAL INFORMATION - THIS DOCUMENT IS THE PROPERTY OF REGAL BELOIT AMERICA, INC. ("OWNER") AND CONTAINS OWNER'S PROPRIETARY INFORMATION. ANY PERSON, CORPORATION OR OTHER FIRM RECEIVING IT IS DEEMED, BY RECEIVING IT, TO AGREE THAT IT, AND/OR ANY PART OF IT, SHALL NOT BE DISCLOSED TO ANY PERSON, CORPORATION OR OTHER ENTITY, DUPLICATED, AND/OR USED, EXCEPT AS EXPRESSLY APPROVED IN WRITING IN ADVANCE BY OWNER. THIS DOCUMENT SHALL BE RETURNED TO OWNER UPON REQUEST. IT MAY BE SUBJECT TO CERTAIN RESTRICTIONS UNDER APPLICABLE EXPORT CONTROL LAWS AND REGULATIONS.				.XX	±0.01	[±0.25]		APPROVED BY E.VILLA			
				REMOVE BURRS & BREAK SHARP EDGES: .003/.015 [.076/.381] CORNER FILLETS: .02 [.51] MACHINED SURFACES: 125 $\sqrt{\text{mm}}$ 3.2 $\sqrt{\text{INCH}}$.XXX	±0.005	[±0.127]		DATE 25-01-2016	
				.XXXX	±0.0005	[±0.0127]		REFERENCE EE7308T	MATERIAL	PROCESS/FINISH	
				mm SHOWN IN [BRACKETS]				THIRD ANGLE PROJECTION	SIZE B	DRAWING NUMBER CDTD113	SHEET 1 OF 1

P.O. BOX 8003
 WAUSAU, WI 54401-8003
 PH. 715-675-3311



DATA VOLTS: 460

CERTIFICATION DATA SHEET

CONN. DIAGRAM: 005010.20
 OUTLINE: 607-0191-500
 WINDING: T634467

CAT #: E119351.00

DR 3

TYPICAL MOTOR PERFORMANCE DATA

HP	KW	SYNC RPM	FL RPM	FRAME	ENCLOSURE	TYPE	KVA CODE	DESIGN
0.5	0.37	1800	1759	56	DP	NA	N	B

PH	HZ	VOLTS	AMPS	START TYPE	DUTY	INSL	S.F.	AMB	ELEV.
3	60/50	230/460#190/380	1.85/.93&2/1	LINE OR INVERTER	CONT	F	1.15	40	3300

F.L. EFF	79.6	3/4 LD EFF	77.2	1/2 LD EFF	72.5	GTD EFF	0.0	ELECT. TYPE	SQ CAGE INV RATED
F.L. PF	62.9	3/4 LD PF	53.6	1/2 LD PF	41.4				

F.L. TORQUE	LR AMPS @ 460 V	L.R. TORQUE	B.D. TORQUE	F.L. RISE (°C)
382 LB-FT	6.7	1,333 LB-FT 349%	1,751 LB-FT 458%	21

PRESSURE @ 3	POWER	ROTOR WK²	MAX. LOAD WK²	SAFE STALL TIME	STARTS/HOUR	MOTOR WGT
0 dBA	9 dBA	0.05 LB-FT²	0 LB-FT²	0 SEC.	0	0 LB.

*** SUPPLEMENTAL INFORMATION ***

DE BRACKET TYPE	ODE BRACKET TYPE	MOUNT TYPE	MOTOR ORIENTATION	SEVERE DUTY	HAZARDOUS LOCATION	DRIP COVER	SCREENS	PAINT
STANDARD	STANDARD	RIGID	HORIZONTAL	NO	NONE	NO	NONE	IN - LEESON WATTS

BEARINGS		GREASE	SHAFT TYPE	SPECIAL DE	SPECIAL ODE	SHAFT MATERIAL	FRAME MATERIAL
DE	ODE						
BALL	BALL	MULTEMP SRL	STANDARD 56	NONE	NONE	1144 STRESSPROOF (C-223)	ROLLED STEEL
6203	6203						

THERMOSTATS	PROTECTORS	WDG RTD's	BRG RTD's	THERMISTORS	CONTROL	SPACE HEATERS
TSTATS (N/C)	NOT	NONE	NONE	NONE	FALSE	NA

R1 (ohms/ph)	R2 (ohms/ph)	X1 (ohms/ph)	X2 (ohms/ph)	Xm (ohms/ph)	VIBRATION (in/sec)	FLOAT
0	0	0	0	0	0.150	ODE

* N O T E S *	INVERTER TORQUE: CONSTANT 10:1 INV. HP SPEED RANGE: 1.1 X BASE SPEED	
	ENCODER: NONE NONE NONE	
	NONE PPR	
	BRAKE: NONE NONE NONE	
	FT-LB: NA VOLTAGE: NONE HZ:	

DATE: 1/19/2018

UL: Y-(LEESON UL REC)

Data Sheet

Date: 1/19/2018

E119351.00



Data @ 460 V

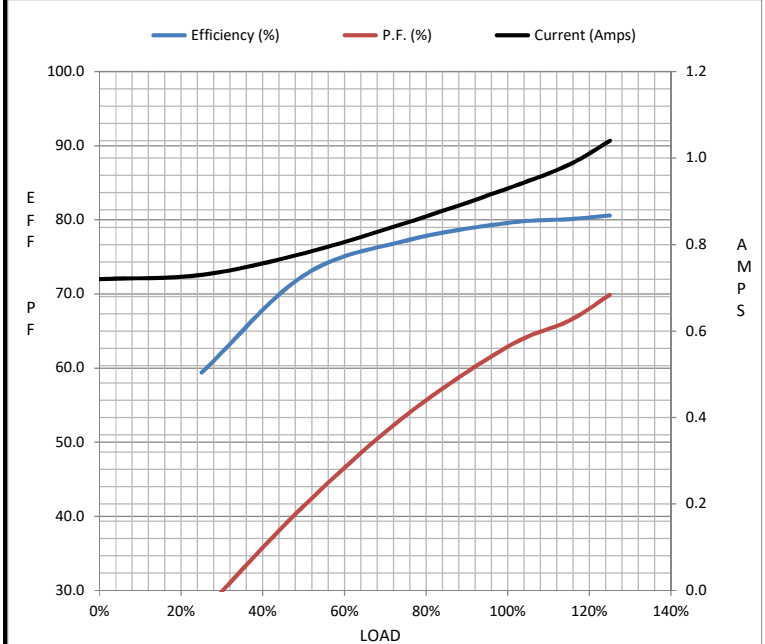
Motor Load Data

Load	0%	25%	50%	75%	100%	115%	125%	LR
Current (Amps)	0.72	0.73	0.78	0.85	0.93	0.99	1.04	6.7
Torque (ft-lb)	0.00	94.1	188	285	382	6,902	481	1,333
RPM	1800	1790	1780	1770	1759	1,754	1746	0
Efficiency (%)		59.4	72.5	77.2	79.6	80.1	80.6	
P.F. (%)	13.4	27.0	41.4	53.6	62.9	66.4	69.9	0.0

Motor Speed Data

	LR	Pull-Up	BD	Rated	Idle
Speed (RPM)	0	142	1226	1759	1800
Current (Amps)	6.7	6.6	4.7	0.93	0.72
Torque (ft-lb)	1,333	1,348	1,751	382	0.00

Information Block				
HP	0.5			
Sync. RPM	1800			
Frame	56			
Enclosure	DP			
Construction	NA			
Voltage	230/460#190/380 V			
Frequency	60 Hz			
Design	B			
LR Code letter	N			
Service Factor	1.15			
Temp Rise @ FL	21 °C			
Duty	CONT			
Ambient	40 °C			
Elevation	1,000 feet			
Rotor/Shaft wk ²	0.05 Lb-Ft ²			
Ref Wdg	T634467 DR			
Sound Pressure @ 1M	0 dBA			
VFD Rating	CONSTANT 10:1			
Outline Dwg	607-0191-500			
Conn. Diag	005010.20			
Additional Specifications:				
0				
0				
EQUIV CKT (OHMS / PHASE)				
R1	R2	X1	X2	Xm
0.0000	0.0000	0.0000	0.0000	0.0000



Speed - Torque Curve

