

PRODUCT INFORMATION PACKET

Model No: 445TTFC6635

Catalog No: E1252

XRI®-SD Severe Duty Motor, 150 HP, 3 Ph, 60 Hz, 460 V, 1800 RPM, 445T Frame, TEFC



Regal and Marathon are trademarks of Regal Rexnord Corporation or one of its affiliated companies.
©2022 Regal Rexnord Corporation, All Rights Reserved. MC017097E



Nameplate Specifications

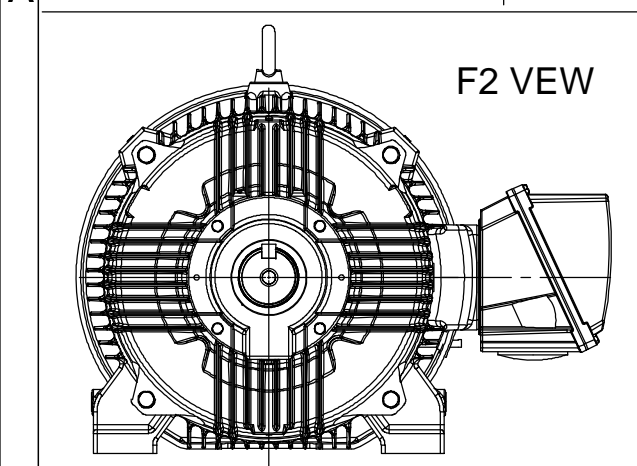
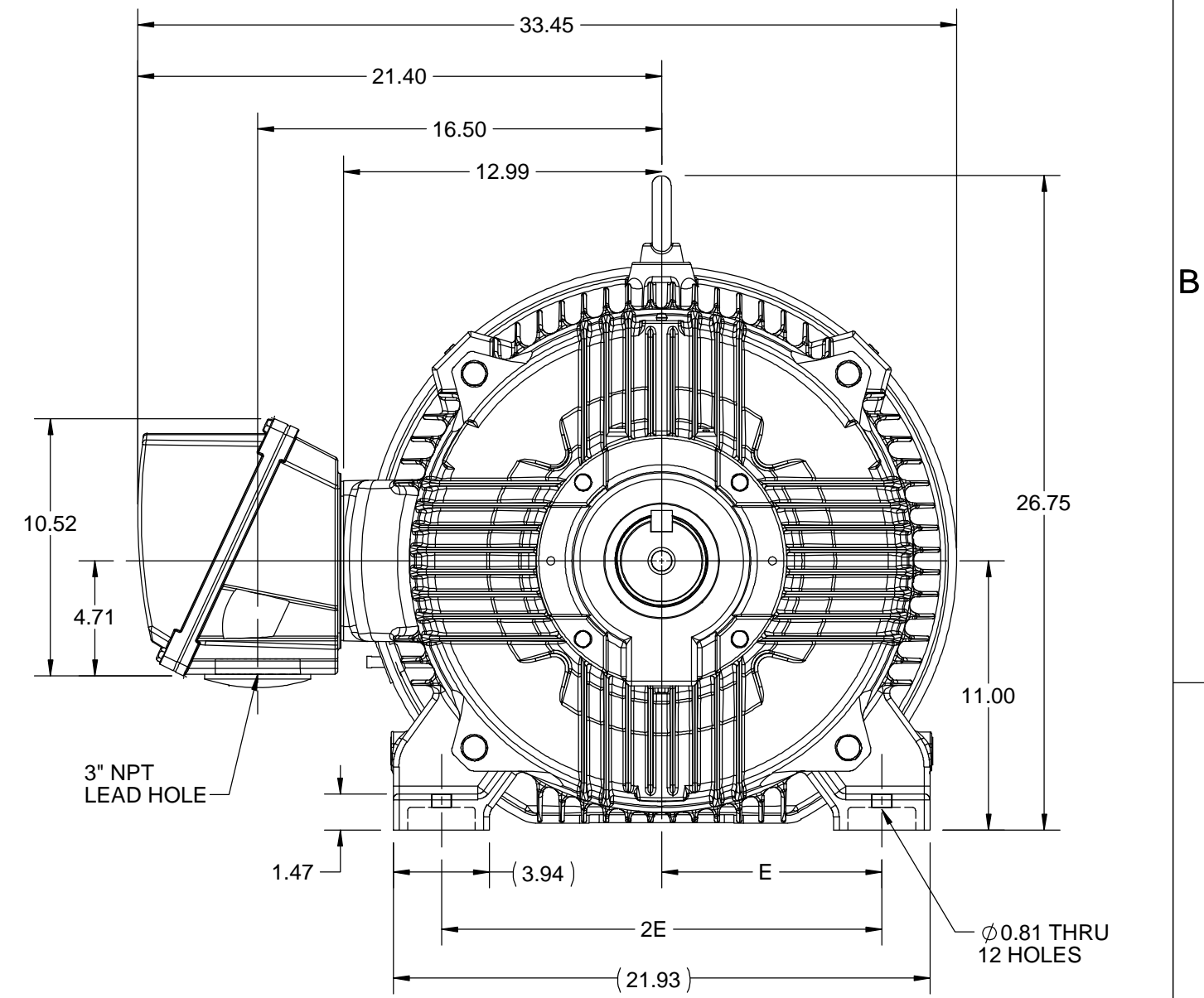
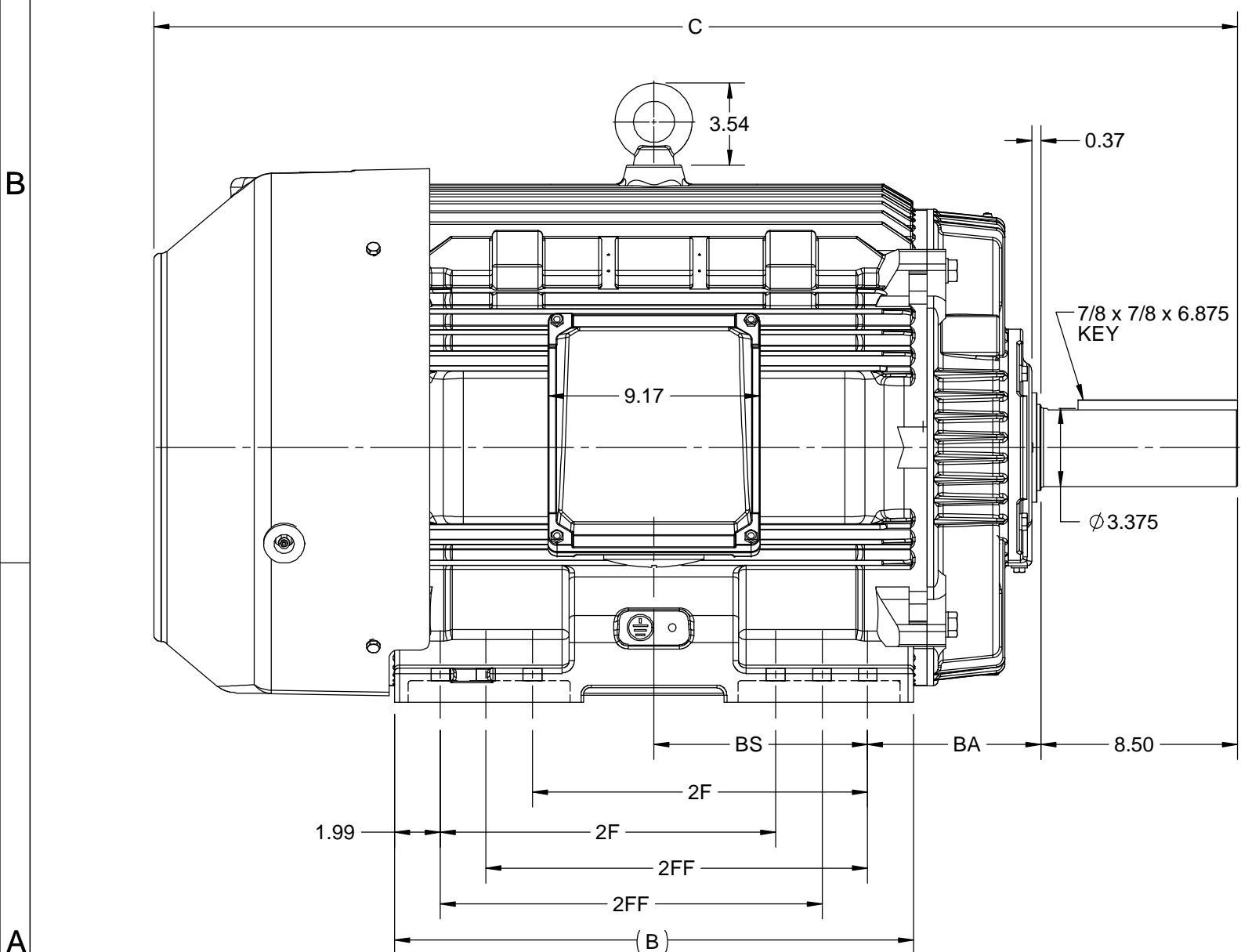
| | | | |
|------------------------|----------------|----------------------------|-----------------------------|
| Output HP | 150 Hp | Output KW | 112.0 kW |
| Frequency | 60 Hz | Voltage | 460 V |
| Current | 169.0 A | Speed | 1790 rpm |
| Service Factor | 1.15 | Phase | 3 |
| Efficiency | 95.8 % | Power Factor | 87 |
| Duty | Continuous | Insulation Class | H |
| Design Code | B | KVA Code | G |
| Frame | 445T | Enclosure | Totally Enclosed Fan Cooled |
| Thermal Protection | No Protection | Ambient Temperature | 40 °C |
| Drive End Bearing Size | NU319 | Opp Drive End Bearing Size | 6317 |
| UL | Listed | CSA | Y |
| CE | Y | IP Code | 55 |
| Hazardous Location | DIVISION 2 T2B | Number of Speeds | 1 |

Technical Specifications

| | | | |
|-----------------------|------------------------------|--------------------|--|
| Electrical Type | Squirrel Cage Inverter Rated | Starting Method | Part Wdg Start & Wye Start Delta Run Or Inverter |
| Poles | 4 | Rotation | Reversible |
| Resistance Main | .0294 Ohms | Mounting | Rigid Base |
| Motor Orientation | Horizontal | Drive End Bearing | Roller |
| Opp Drive End Bearing | Ball | Frame Material | Cast Iron |
| Shaft Type | T | Shaft Diameter | 3.375 in |
| Assembly/Box Mounting | F1/F2 CAPABLE | Inverter Load | CONSTANT 2:1/VARIABLE 10:1 |
| Outline Drawing | SS557668 | Connection Drawing | EE7300BH |

This is an uncontrolled document once printed or downloaded and is subject to change without notice. Date Created:11/29/2022

| | | | | | | | | |
|-------|-------|------|-------|-------|-------|------|------|----------|
| 4 | | | 3 | | | | | |
| B | C | E | 2E | 2F | 2FF | BA | BS | MOUNTING |
| 22.44 | 46.83 | 9.00 | 18.00 | 14.50 | 16.50 | 7.50 | 9.24 | F1 OR F2 |



| | | |
|---|----------------------|--------------------|
| DRAWING REVISION C | REVISION BY BISWA | DATE 15/10/2020 |
| ECO ECO-0195135 | APPROVED BY GNK | DATE 15/10/2020 |
| ECO DESCRIPTION | | |
| DRAWING UPDATED | | |
| <small>COPYRIGHT REGAL BELOIT AMERICA, INC. ALL RIGHTS RESERVED. PROPRIETARY AND CONFIDENTIAL INFORMATION - THIS DOCUMENT IS THE PROPERTY OF REGAL BELOIT AMERICA, INC. ("OWNER") AND CONTAINS OWNER'S PROPRIETARY INFORMATION. ANY PERSON, CORPORATION OR OTHER FIRM RECEIVING IT IS DEEMED, BY RECEIVING IT, TO AGREE THAT IT, AND/OR ANY PART OF IT, SHALL NOT BE DISCLOSED TO ANY PERSON, CORPORATION OR OTHER ENTITY, DUPLICATED, AND/OR USED, EXCEPT AS EXPRESSLY APPROVED IN WRITING IN ADVANCE BY OWNER. THIS DOCUMENT SHALL BE RETURNED TO OWNER UPON REQUEST. IT MAY BE SUBJECT TO CERTAIN RESTRICTIONS UNDER APPLICABLE EXPORT CONTROL LAWS AND REGULATIONS.</small> | | |

| | |
|------------------------|--|
| DRAWN BY BISWA | REGAL ™ Regal Beloit America, Inc. |
| DATE 24/12/2018 | |
| APPROVED BY SBD | DESCRIPTION OUTLINE 444/445T FR-NEMA-SD & IEEE841 |
| DATE 24/12/2018 | MATERIAL |
| REFERENCE | PROCESS/FINISH |
| THIRD ANGLE PROJECTION | SIZE B |
| | DRAWING NUMBER SS557668 |
| | SHEET 1 OF 1 |



VIEW OF TERMINAL END

| | | | | TOLERANCES UNLESS SPECIFIED | | REGAL REGAL - BELOIT CORPORATION | DRAWN RJW 02-11-2005 | | | |
|--|------------------------------|-------------|----------------|-----------------------------|--------------|----------------------------------|----------------------|-------------|------------|------|
| | | | | DEC. | INCHES | | CHK | ML | 02-11-2005 | |
| | | | | .X | ±.1 | | APPD | GK | 02-11-2005 | |
| | | | | .XX | ±.02 | TITLE CONNECTION DIAGRAM | SCALE | | | |
| D | CHANGED TO REGAL TITLE BLOCK | ECO-0108299 | WGJ 08/22/2016 | EMH | .XXX ±.005 | 12 LEAD- SINGLE VOLTAGE | REF | | | |
| 1 | ADDED IEC TERMINAL MARKINGS | CN 41429 | JJB 05/24/2007 | ML | .XXXX ±.0005 | MAT'L. | FMF | | | |
| NO. | REVISION | BY & DATE | CHK | ANG | ±7'30" | FINISH | PREV | | | |
| THIS DRAWING IN DESIGN AND DETAIL IS OUR PROPERTY AND MUST NOT BE USED EXCEPT IN CONNECTION WITH OUR WORK ALL RIGHTS OF DESIGN AND INVENTION ARE RESERVED THIS IS AN ELECTRONICALLY GENERATED DOCUMENT - DO NOT SCALE THIS PRINT | | | | RFP | 02-11-2005 | CAD FILE ee7300bh | SIZE | DRAWING NO. | PAGE OF | REV. |
| | | | | DIST | LB | | A | EE7300BH | | C |



P.O. BOX 8003
 WAUSAU, WI 54401-8003
 PH. 715-675-3311

DATA VOLTS: 460

CERTIFICATION DATA SHEET

CUSTOMER: _____
 ORDER #: _____
 CONN. DIAGRAM: EE7300BH
 OUTLINE: SS557668
 WINDING: HA32804011 NONE 4
 SPEED: _____

CUSTOMER P.O. #: _____
 REFERENCE MODEL #: 445TTFC06635
 CAT #: E1252
 CUSTOMER PART #: _____
 MOUNTING: F1/F2 CAPABLE
 FAN: 504205B

TYPICAL MOTOR PERFORMANCE DATA

| HP | KW | SYNC RPM | FL RPM | FRAME | ENCLOSURE | TYPE | KVA CODE | DESIGN |
|-----|-----|----------|--------|-------|-----------|------|----------|--------|
| 150 | 112 | 1800 | 1790 | 445T | TEFC | TFC | G | B |

| PH | HZ | VOLTS | AMPS | START TYPE | DUTY | INSL | S.F. | AMB | ELEV. |
|----|----|-------|------|--------------------|------|------|------|-----|-------|
| 3 | 60 | 460 | 169 | PWS & YDRUN OR INV | CONT | H | 1.15 | 40 | 3300 |

| F.L. EFF | 95.8 | 3/4 LD EFF | 95.8 | 1/2 LD EFF | 95.4 | GTD EFF | ELECT. TYPE |
|----------|------|------------|------|------------|------|---------|-------------------|
| F.L. PF | 87.0 | 3/4 LD PF | 84.5 | 1/2 LD PF | 77.0 | 95.4 | SQ CAGE INV RATED |

| F.L. TORQUE | LR AMPS @ 460 V | L.R. TORQUE | B.D. TORQUE | F.L. RISE (° C) |
|-------------|-----------------|----------------|------------------|-----------------|
| 440 LB-FT | 1.085 | 926 LB-FT 210% | 1,232 LB-FT 280% | 60 |

| SOUND PRESSURE @ | SOUND | ROTOR WK ² | MAX. LOAD WK ² | SAFE STALL TIME | STARTS/HOUR | APPROX. | MOTOR |
|------------------|--------|-------------------------|---------------------------|-----------------|-------------|---------|-------|
| 75 dBA | 84 dBA | 67.1 LB-FT ² | 1000 LB-FT ² | 25 SEC. | 2 | 3025 | LB. |

***** SUPPLEMENTAL INFORMATION *****

| DE BRACKET TYPE | ODE BRACKET TYPE | MOUNT TYPE | MOTOR ORIENTATION | SEVERE DUTY | HAZARDOUS LOCATION | DRIP COVER | SCREENS | PAINT |
|-----------------|------------------|------------|-------------------|---------------------|--------------------|------------|---------|-------------------------|
| STANDARD | STANDARD | RIGID | HORIZONTAL | PREMIUM SEVERE DUTY | DIVISION 2 T2B | YES | NONE | BLUE - RAL 5003 (EPOXY) |

| BEARINGS | GREASE | SHAFT TYPE | SPECIAL DE | SPECIAL ODE | SHAFT MATERIAL | FRAME MATERIAL |
|-------------------------------------|------------|------------|------------|-------------|-------------------------|----------------|
| DE ODE ROLLER BALL NU319 6317 | POLYREX EM | T | NONE | NONE | 1045 HOT ROLLED (C-204) | CAST IRON |

| THERMOSTATS | PROTECTORS | WDG RTD's | BRG RTD's | THERMISTORS | CONTROL | SPACE HEATERS |
|-------------|------------|-----------|-----------|-------------|---------|---------------|
| NONE | NOT | NONE | NONE | NONE | FALSE | NA |

| R1 (ohms/ph) | R2 (ohms/ph) | X1 (ohms/ph) | X2 (ohms/ph) | Xm (ohms/ph) | VIBRATION (in/sec) | FLOAT |
|--------------|--------------|--------------|--------------|--------------|--------------------|-------|
| 0.018 | 0.009 | 0.112 | 0.231 | 4.914 | 0.080 | NONE |

| | | | | | | |
|---------------------------------|--|--|------|--|----------|--|
| * N O T E S * | INVERTER TORQUE: CONSTANT 2:1/VARIABLE 10:1 INV. HP SPEED RANGE: NONE | | | | | |
| | ENCODER: NONE | | | | | |
| | NONE | | NONE | | NONE PPR | |
| | BRAKE: NONE | | | | | |

| | | | | |
|--------------------------|----------------|--|---------------|-----------|
| PREPARED BY: _____ | DATE: 8/1/2022 | FT-LB: NA | VOLTAGE: NONE | HZ: _____ |
| FORM: 3531 REV_4 2/27/06 | | UL: NO LETTER - ME, WUXI TEFC BLUEWHALE CLASS 1 DIV. 2 UL LISTED | | |

Data Sheet

Date: 7/27/2022
 Customer: _____
 Attention: _____
 Submitted by: _____



445TTFCD6635

Submittal

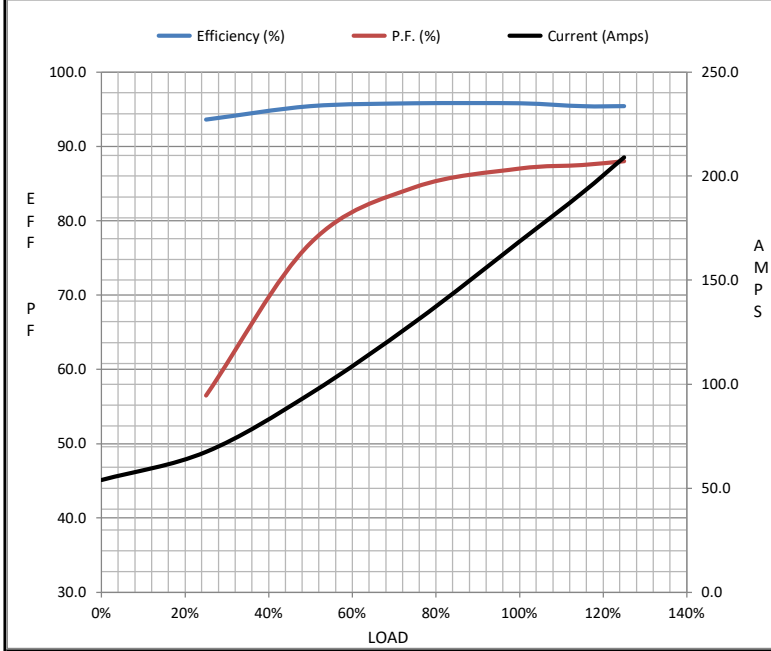
Data @ **460** V

Motor Load Data

| Load | 0% | 25% | 50% | 75% | 100% | 115% | 125% | LR |
|----------------|------|------|------|------|------|-------|------|-------|
| Current (Amps) | 54.0 | 67.5 | 95.5 | 130 | 169 | 192 | 209 | 1,085 |
| Torque (ft-lb) | 0.00 | 110 | 220 | 330 | 440 | 508 | 553 | 926 |
| RPM | 1800 | 1798 | 1795 | 1792 | 1790 | 1,790 | 1788 | 0 |
| Efficiency (%) | | 93.6 | 95.4 | 95.8 | 95.8 | 95.4 | 95.4 | |
| P.F. (%) | 5.0 | 56.5 | 77.0 | 84.5 | 87.0 | 87.5 | 88.0 | 37.0 |

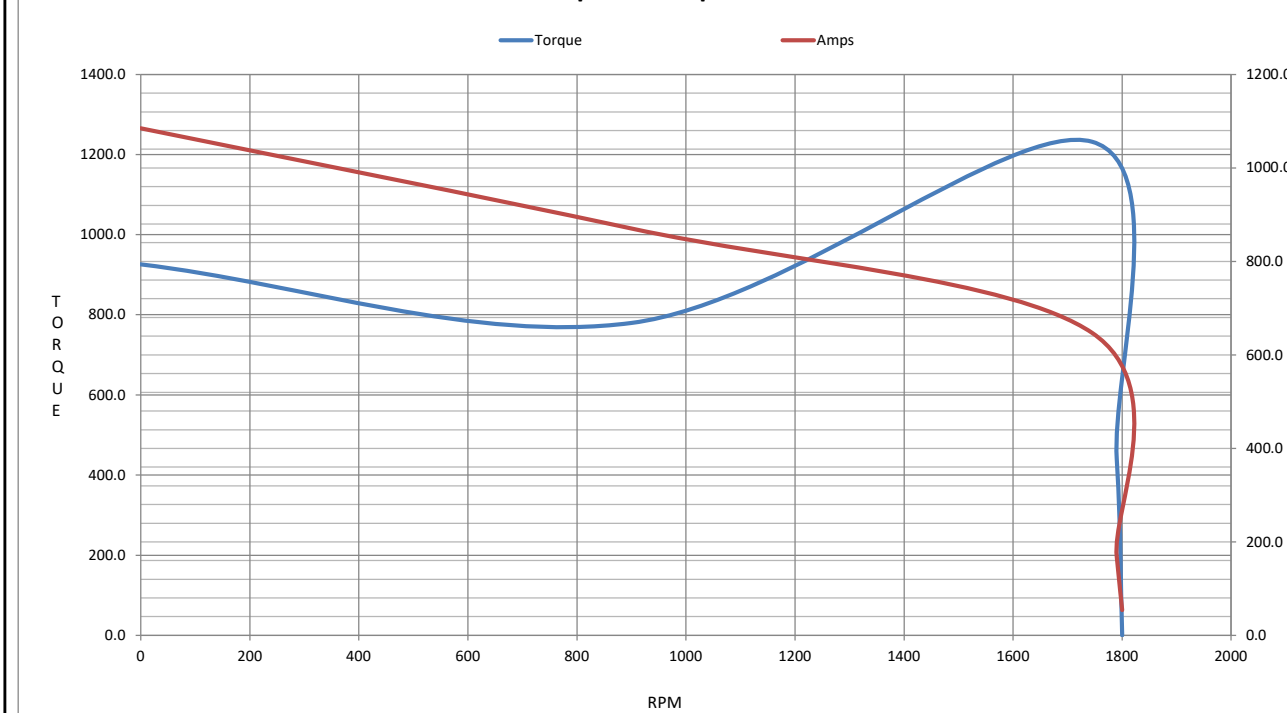
Motor Speed Data

| | LR | Pull-Up | BD | Rated | Idle | Information Block | |
|----------------|-------|---------|-------|-------|------|-------------------|-------|
| Speed (RPM) | 0 | 900 | 1745 | 1790 | 1800 | HP | 150.0 |
| Current (Amps) | 1,085 | 870 | 647 | 169 | 54.0 | Sync. RPM | 1800 |
| Torque (ft-lb) | 926 | 780 | 1,232 | 440 | 0.00 | Frame | 445 |



| | | | | |
|-----------------------------|----------------------------|--------|--------|--------|
| Enclosure | TEFC | | | |
| Construction | TFC | | | |
| Voltage | 460 V | | | |
| Frequency | 60 Hz | | | |
| Design | B | | | |
| LR Code letter | G | | | |
| Service Factor | 1.15 | | | |
| Temp Rise @ FL | 60 °C | | | |
| Duty | CONT | | | |
| Ambient | 40 °C | | | |
| Elevation | 3,300 feet | | | |
| Rotor/Shaft wk ² | 67.1 Lb-Ft ² | | | |
| Ref Wdg | HA32804011 NONE | | | |
| Sound Pressure @ 1M | 75 dBA | | | |
| VFD Rating | CONSTANT 2:1/VARIABLE 10:1 | | | |
| Outline Dwg | | | | |
| Conn. Diag | EE7300BH | | | |
| Additional Specifications: | | | | |
| 0 | | | | |
| 0 | | | | |
| EQUIV CKT (OHMS / PHASE) | | | | |
| R1 | R2 | X1 | X2 | Xm |
| 0.0180 | 0.0090 | 0.1120 | 0.2310 | 4.9140 |

Speed -Torque Curve



EC Declaration of Conformity

The undersigned representing
the manufacturer:

Regal Beloit America
100 East Randolph St.
Wausau, WI 54401

and the authorized representative
established within the Community:

Marathon Electric UK
6F Thistleton Road Ind. Estate
Market Overton
Oakham, Rutland LE15 7PP UK

are committed to providing customers with products that comply with applicable regulations and international protocols to which they are subject, including the requirements of the European Parliament Directive on the Harmonization of the laws relating to electrical equipment designed for use within certain voltage limits (2014/35/EU).

Regal Beloit America declares that the following product(s), to which this declaration relates, are in conformity with the relevant sections of the EC standards listed below.

This statement supersedes any statements previously issued pertaining to the product(s) listed below and is subject to change without notice.

Model No : 445TTFC6635

(Model No. may contain prefix and/or suffix characters)

Catalog No : E1252

Rework No : N/A

Directives :

Low Voltage Directive 2014/35/EU

Harmonized Standards Used :

EN 60034-1: 2010 (IEC 60034-1: 2010)

EN 60034-5: 2001/A1:2007 (IEC 60034-5: 2000/A1:2006)

Authorized Representative:



Michael A. Logsdon
Vice President, Technology

Authorized Representative in the Community:



Julian Clark
Marketing Engineer

Created on 09/01/2022

CE 22