

PRODUCT INFORMATION PACKET

Model No: 145TTFR16329

Catalog No: E2007A

General Purpose Motor, 2 HP, 3 Ph, 60 Hz, 230/460 V, 1800 RPM, 145TC Frame, TEFC



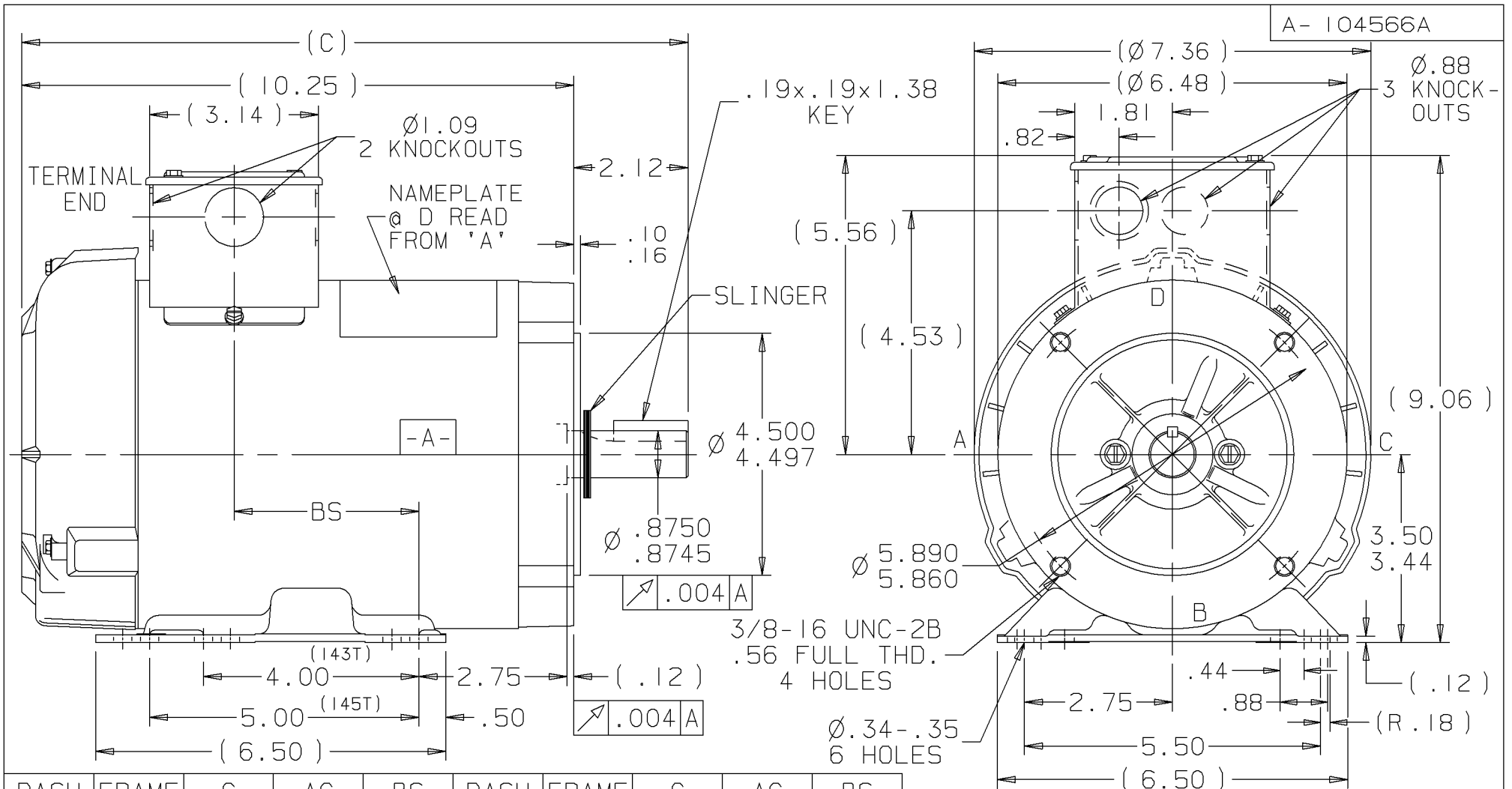
Regal and are trademarks of Regal Rexnord Corporation or one of its affiliated companies.
©2022 Regal Rexnord Corporation, All Rights Reserved. MC017097E

Nameplate Specifications

Output HP	2 Hp	Output KW	1.5 kW
Frequency	60 Hz	Voltage	230/460 V
Current	6.0/3.0 A	Speed	1760 rpm
Service Factor	1.15	Phase	3
Efficiency	86.5 %	Power Factor	71
Duty	Continuous	Insulation Class	F
Design Code	A	KVA Code	N
Frame	145TC	Enclosure	Totally Enclosed Fan Cooled
Thermal Protection	No Protection	Ambient Temperature	40 °C
Drive End Bearing Size	6205	Opp Drive End Bearing Size	6203
UL	Recognized	CSA	Y
CE	Y	IP Code	43
Number of Speeds	1		

Technical Specifications

Electrical Type	Squirrel Cage Inverter Rated	Starting Method	Line Or Inverter
Poles	4	Rotation	Reversible
Mounting	Rigid Base	Motor Orientation	Horizontal
Drive End Bearing	Ball	Opp Drive End Bearing	Ball
Frame Material	Rolled Steel	Shaft Type	T
Overall Length	14.87 in	Frame Length	9.56 in
Shaft Diameter	0.875 in	Shaft Extension	2.12 in
Assembly/Box Mounting	F3	Inverter Load	CONSTANT 10:1
Outline Drawing	104566A-956	Connection Drawing	A-EE7308



A- 104566A

DASH	FRAME	C	AG	BS	DASH	FRAME	C	AG	BS
706	140T	12.37	10.25	3.86	856	140T	13.87	11.75	5.36
756	140T	12.87	10.75	4.36	906	140T	14.37	12.25	5.86
806	140T	13.37	11.25	4.86	956	140T	14.87	12.75	6.36

NOTE:
CONDUIT BOX CAN BE
ROTATED IN 180° STEPS
(REF. A-100106)

				✓ MAX. SURFACE ROUGHNESS UNLESS NOTED OTHERWISE		UNLESS OTHERWISE SPECIFIED DIMENSIONS ARE IN INCHES TOL. ON XX±.03 XXX±.005 XXXX±.0005 ANGLES± 7'30"			
				MATL SPEC				DRAWN BY MSG 09-26-2000	
				FINISH				CHKD BY ML 09-26-2000	
I 09-27-2000		NEW DRAWING		MSG		WAUSAU, WISCONSIN 54401		APPD BY ET 09-27-2000	
REV DATE CHANGE		NAME		PART NAME OUTLINE 140T - TEFC - C'FACE				DRWG NO A- 104566A	

L SHOP BOOK PURCHASED DISTRIBUTION - WA - LB - WP - LM - BR CADD FILE NO. 104566A

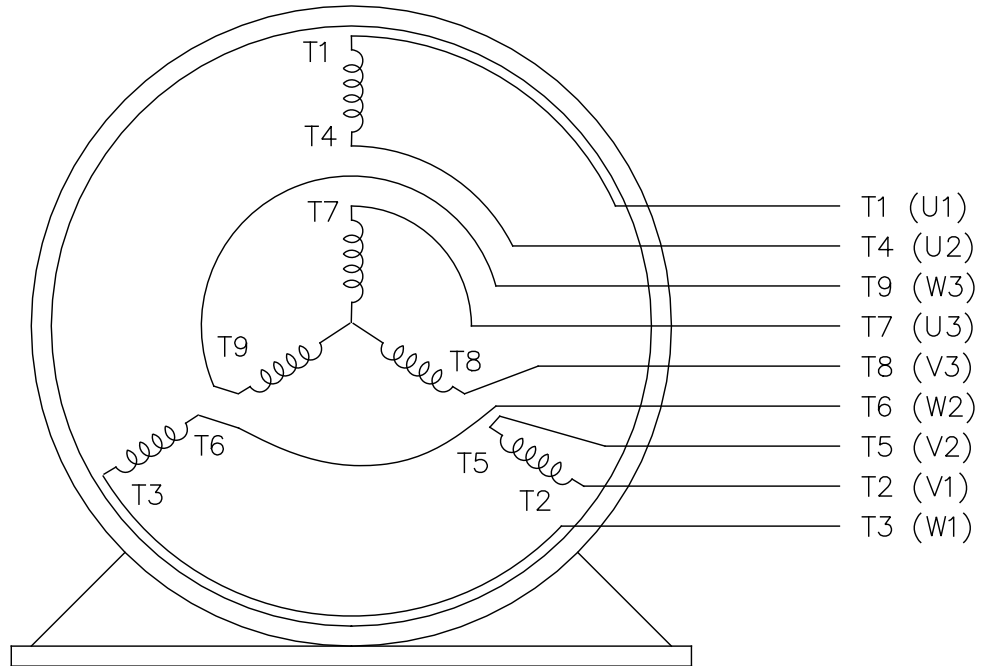
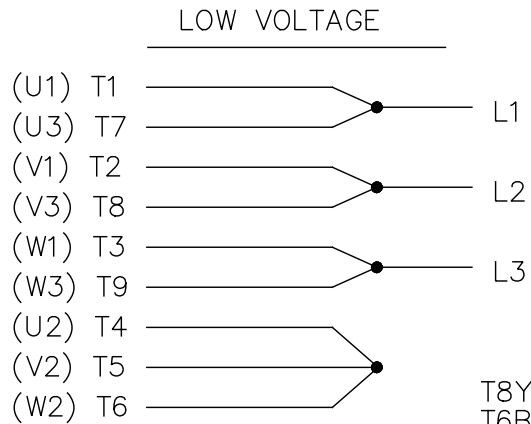
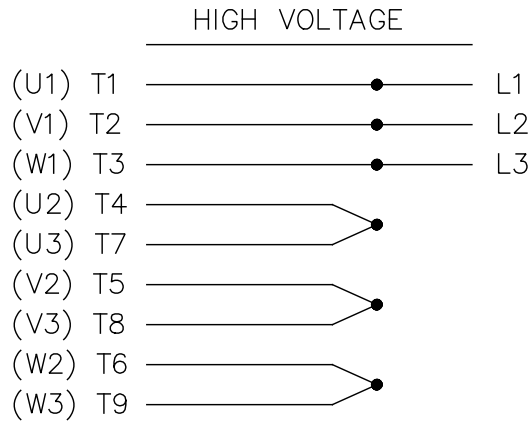
ERROR: syntaxerror
OFFENDING COMMAND: --nostringval--

STACK:

-dictionary-
-dictionary-
/Pscript_WinNT_Compat
-dictionary-

EE7308

THREE PHASE
DUAL VOLTAGE MOTOR



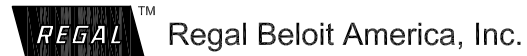
REF.
WINDING DIAGRAM

T8Y, T2Y, T2BL, T4BX, T2EC, T2G
T6BZ, T2B, T6BL, T4AV, T6B, T4B

OPTIONAL CORD
CONNECTION

L1 — WHITE
L2 — RED
L3 — BLACK

NO.	REVISION	BY & DATE	CHK	ANG	TOLERANCES UNLESS SPECIFIED		FINISH	DRAWN RM 11/20/1990				
					DEC.	INCHES						
5	CHG TO REGAL LOGO	SL 09/10/2015	AB					CHK ML 11/21/1990				
4	REVISED IEC NOTATIONS	MSG 11/15/2011	CMN	.X	±.1			APPD SAS 04/24/2003				
3	ADDED IEC NOTATIONS... (U1), (V1) ETC. MU95194	MSG 5/10/2010	MJS	.XX	±.02			SCALE 1=1				
2	ADDED THE OPTIONAL CORD CONNECTION MU46318	RDH 04/24/2003	DRS	.XXX	±.005		TITLE CONNECTION DIAGRAM 3Ø - DUAL VOLTAGE MOTOR	REF				
1	REDRAWN	RM 11/20/1990		.XXXX	±.0005		MAT'L.	FMF				
					±7'30"			PREV				
THIS DRAWING IN DESIGN AND DETAIL IS OUR PROPERTY AND MUST NOT BE USED EXCEPT IN CONNECTION WITH OUR WORK ALL RIGHTS OF DESIGN AND INVENTION ARE RESERVED THIS IS AN ELECTRONICALLY GENERATED DOCUMENT - DO NOT SCALE THIS PRINT							RFP	CAD FILE ee7308	SIZE A	DRAWING NO. EE7308	PAGE OF 5	REV. 5
							DIST WP					



Data Sheet

Date: 1/4/2019
 Customer: _____
 Attention: _____
 Submitted by: FAREEDA DUDEKULA



145TTFR16329

Submittal
 Data @ **460 V**

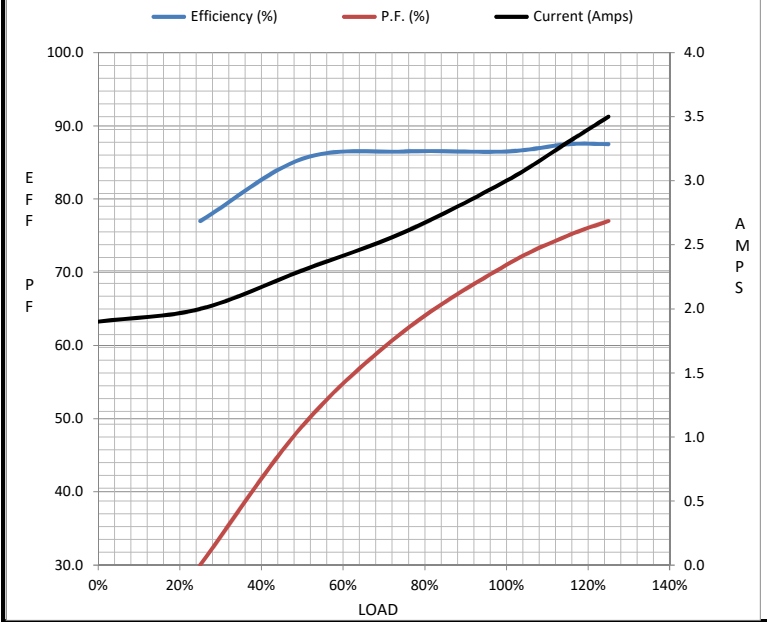
Motor Load Data

Load	0%	25%	50%	75%	100%	115%	125%	LR
Current (Amps)	1.90	2.00	2.30	2.60	3.0	3.3	3.5	30.5
Torque (ft-lb)	0.00	1.50	3.0	4.5	6.0	6.9	7.5	24.5
RPM	1800	1790	1780	1770	1760	1,755	1750	0
Efficiency (%)		77.0	85.5	86.5	86.5	87.5	87.5	
P.F. (%)	7.0	30.0	49.0	62.0	71.0	75.0	77.0	71.0

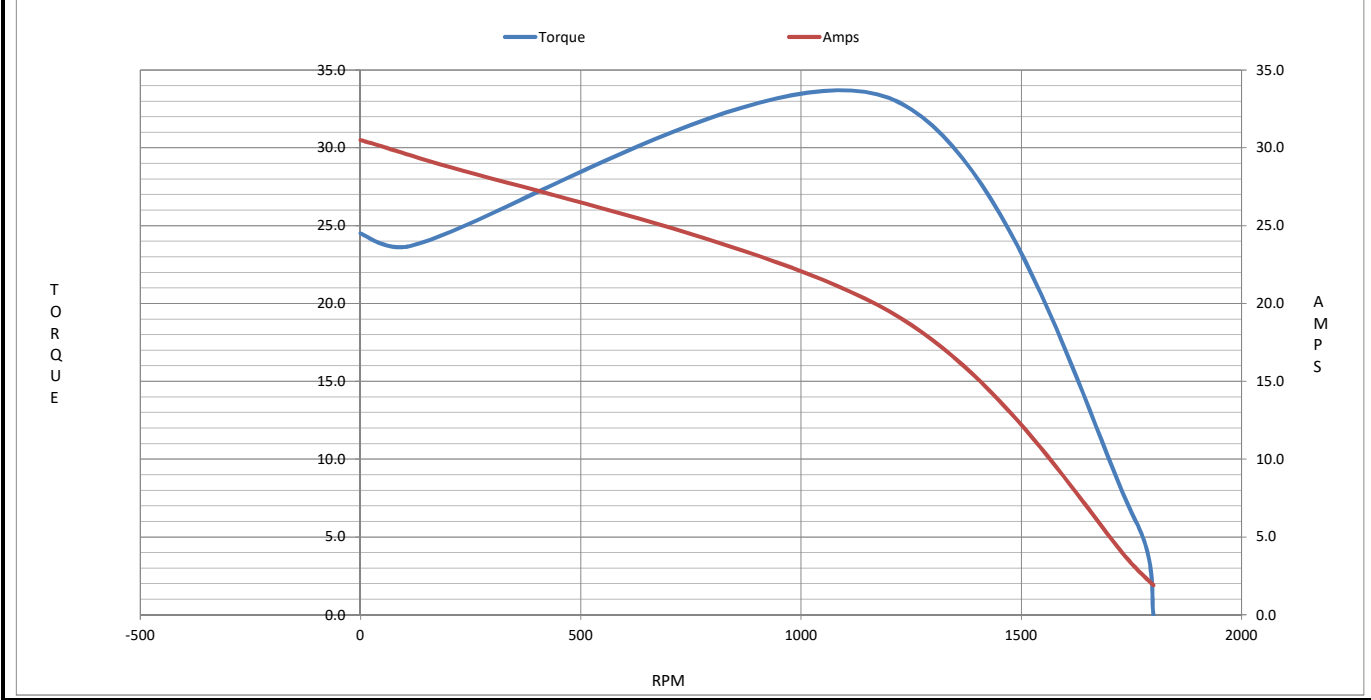
Motor Speed Data

	LR	Pull-Up	BD	Rated	Idle
Speed (RPM)	0	115	1200	1760	1800
Current (Amps)	30.5	29.5	19.5	3.0	1.90
Torque (ft-lb)	24.5	23.7	33.2	6.0	0.00

Information Block				
HP	2.0			
Sync. RPM	1800			
Frame	145			
Enclosure	TEFC			
Construction	TFR			
Voltage	230/460#190/380 V			
Frequency	60 Hz			
Design	A			
LR Code letter	N			
Service Factor	1.15			
Temp Rise @ FL	45 °C			
Duty	CONT			
Ambient	40 °C			
Elevation	1,000 feet			
Rotor/Shaft wk ²	0.14 Lb-Ft ²			
Ref Wdg	ZT4255 FR			
Sound Pressure @ 1M	62 dBA			
VFD Rating	CONSTANT 10:1			
Outline Dwg	104566A-956			
Conn. Diag	A-EE7308			
Additional Specifications:				
0				
0				
EQUIV CKT (OHMS / PHASE)				
R1	R2	X1	X2	Xm
3.9620	3.0100	5.7510	5.9360	160.3460



Speed - Torque Curve



EC Declaration of Conformity

The undersigned representing
the manufacturer:

Regal Beloit America
100 East Randolph St.
Wausau, WI 54401

and the authorized representative
established within the Community:

Marathon Electric UK
6F Thistleton Road Ind. Estate
Market Overton
Oakham, Rutland LE15 7PP UK

are committed to providing customers with products that comply with applicable regulations and international protocols to which they are subject, including the requirements of the European Parliament Directive on the Harmonization of the laws relating to electrical equipment designed for use within certain voltage limits (2014/35/EU).

Regal Beloit America declares that the following product(s), to which this declaration relates, are in conformity with the relevant sections of the EC standards listed below.

This statement supersedes any statements previously issued pertaining to the product(s) listed below and is subject to change without notice.

Model No : 145TTFR16329

(Model No. may contain prefix and/or suffix characters)

Catalog No : E2007A

Rework No : N/A

Directives :

Low Voltage Directive 2014/35/EU

Harmonized Standards Used :

EN 60034-1: 2010 (IEC 60034-1: 2010)

EN 60034-5: 2001/A1:2007 (IEC 60034-5: 2000/A1:2006)

Authorized Representative:



Michael A. Logsdon
Vice President, Technology

Authorized Representative in the Community:



Julian Clark
Marketing Engineer

Created on 09/01/2022

CE 22