

# PRODUCT INFORMATION PACKET

Model No: 145TTFR16033

Catalog No: E2104

1.50 HP General Purpose Motor, 3 phase, 1800 RPM, 230/460 V, 145T Frame, TEFC  
General Purpose Motors



Regal and Marathon are trademarks of Regal Rexnord Corporation or one of its affiliated companies.  
©2021 Regal Rexnord Corporation, All Rights Reserved. MC017097E



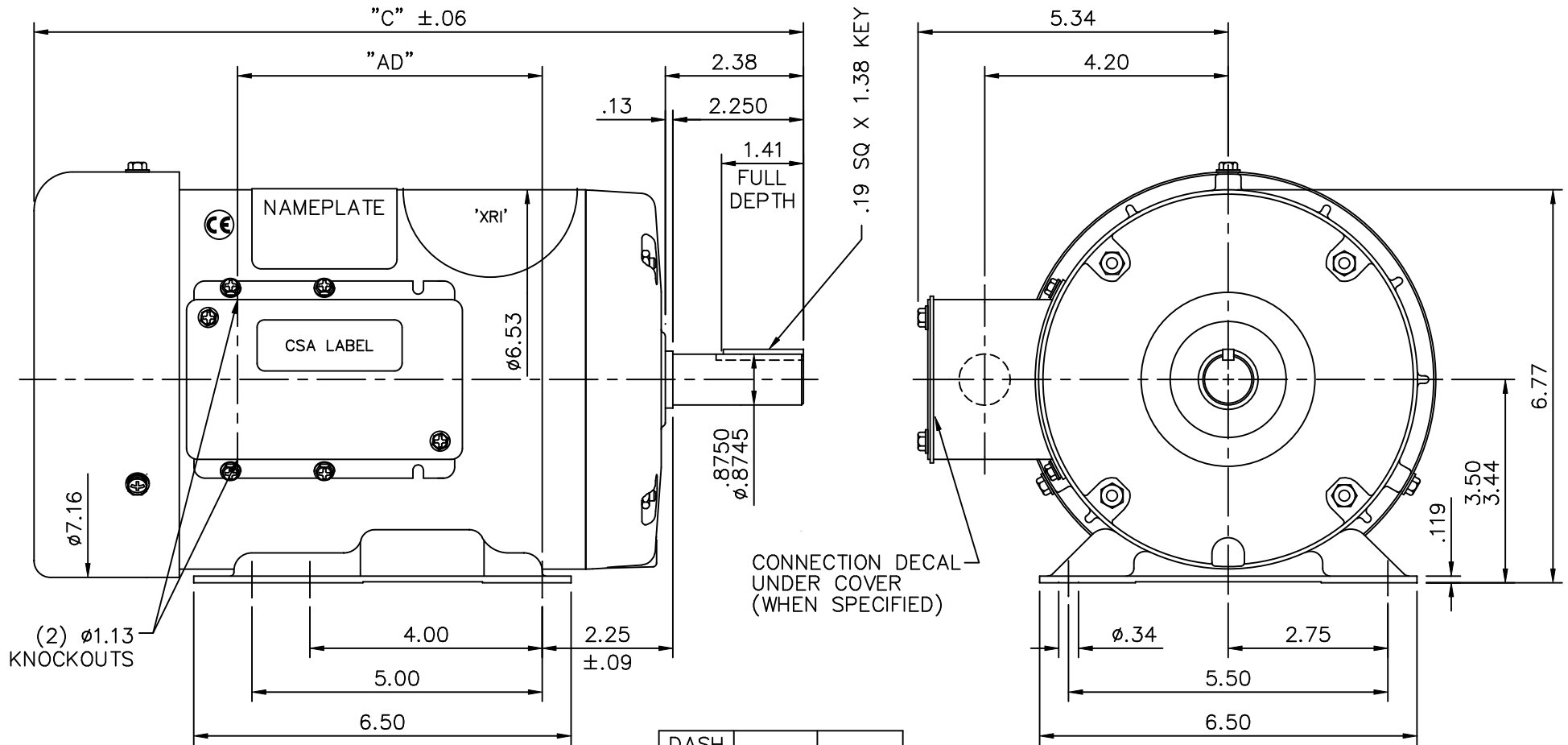
### Nameplate Specifications

Output HP	<b>1.50 Hp</b>	Output KW	<b>1.1 kW</b>
Frequency	<b>60 Hz</b>	Voltage	<b>230/460 V</b>
Current	<b>4.8/2.4 A</b>	Speed	<b>1750 rpm</b>
Service Factor	<b>1.15</b>	Phase	<b>3</b>
Efficiency	<b>86.5 %</b>	Power Factor	<b>67.7</b>
Duty	<b>Continuous</b>	Insulation Class	<b>F</b>
Design Code	<b>B</b>	KVA Code	<b>L</b>
Frame	<b>145T</b>	Enclosure	<b>Totally Enclosed Fan Cooled</b>
Thermal Protection	<b>No</b>	Ambient Temperature	<b>40 °C</b>
Drive End Bearing Size	<b>6205</b>	Opp Drive End Bearing Size	<b>6203</b>
UL	<b>Recognized</b>	CSA	<b>Y</b>
CE	<b>Y</b>	IP Code	<b>43</b>
Number of Speeds	<b>1</b>		

### Technical Specifications

Electrical Type	<b>Squirrel Cage Inverter Rated</b>	Starting Method	<b>Line Or Inverter</b>
Poles	<b>4</b>	Rotation	<b>Reversible</b>
Resistance Main	<b>9.12 Ohms</b>	Mounting	<b>Rigid Base</b>
Motor Orientation	<b>Horizontal</b>	Drive End Bearing	<b>Ball</b>
Opp Drive End Bearing	<b>Ball</b>	Frame Material	<b>Rolled Steel</b>
Shaft Type	<b>T</b>	Overall Length	<b>13.75 in</b>
Frame Length	<b>7.50 in</b>	Shaft Diameter	<b>0.875 in</b>
Shaft Extension	<b>2.37 in</b>	Assembly/Box Mounting	<b>F1 ONLY</b>
Inverter Load	<b>CONSTANT 10:1</b>		
Connection Drawing	<b>005010-01ME</b>	Outline Drawing	<b>028753-750</b>

This is an uncontrolled document once printed or downloaded and is subject to change without notice. Date Created:10/06/2021



DASH NO.	"C"	"AD"
650	12.75	4.75
700	13.25	5.25
750	13.75	5.75
800	14.25	6.25
850	14.75	6.75

TOLERANCES UNLESS SPECIFIED

DEC. INCHES

.X ±.1

.XX ±.03

.XXX ±.005

.XXXX ±.0005

CHK ANG ±1/2'

RFP

DIST



TITLE OUTLINE - 140T FRAME TEFC- RIGID

MAT'L.

FINISH

DRAWN LST 6/7/06

CHK

APPD

SCALE 3=8

REF

FMF

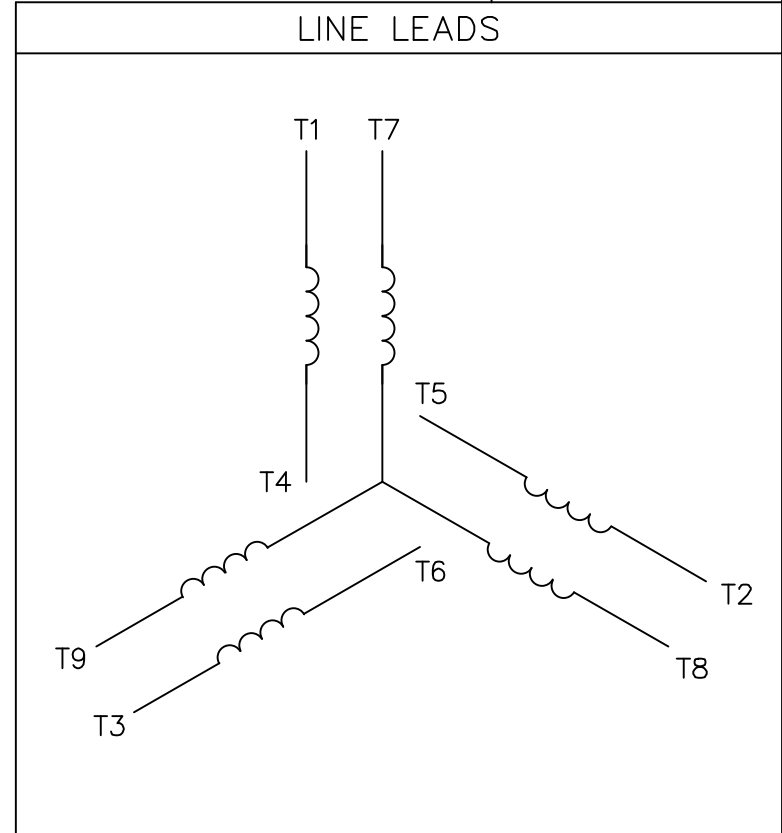
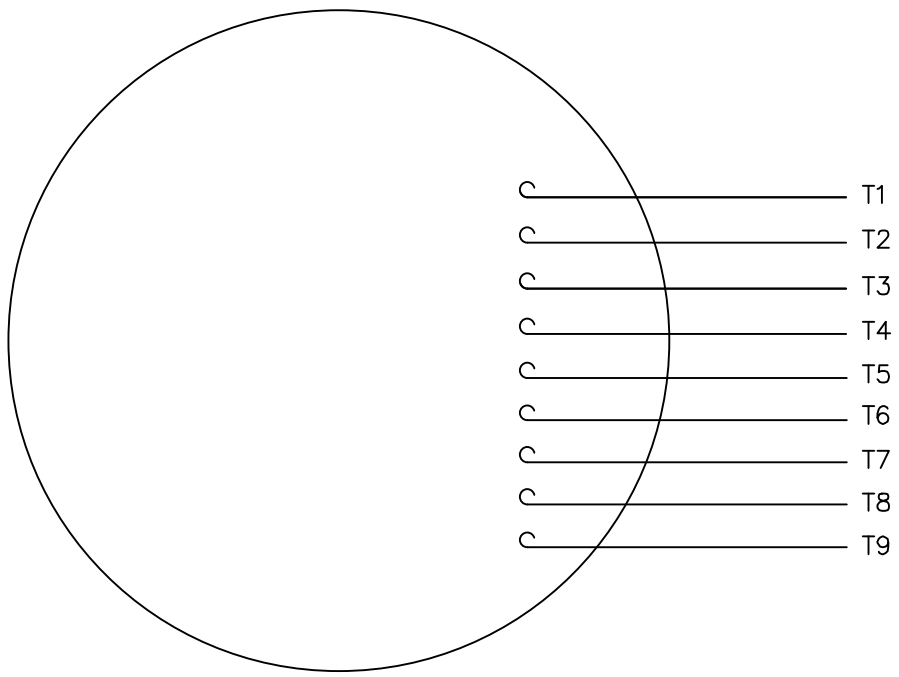
PREV

NO.	REVISION	BY & DATE	CHK	ANG
01	ADDED NOTE FOR CONNECTION DECAL	GWS 4/22/08		

THIS DRAWING IN DESIGN AND DETAIL IS OUR PROPERTY AND MUST NOT BE USED EXCEPT IN CONNECTION WITH OUR WORK ALL RIGHTS OF DESIGN AND INVENTION ARE RESERVED THIS IS AN ELECTRONICALLY GENERATED DOCUMENT - DO NOT SCALE THIS PRINT

CAD FILE	028753	SIZE	DRAWING NO.	REV.
		A	028753	01

VIEW FROM OUTSIDE OF MOTOR AT SWITCH END.



VOLTAGE	L1	L2	L3	JOIN & INSULATE
HIGH	T1	T2	T3	(T4,T7) (T5,T8) (T6,T9)
LOW	T1,T7	T2,T8	T3,T9	T4,T5,T6

		TOLERANCES UNLESS SPECIFIED		DRAWN RDW 04/12/02					
		DEC.	INCHES	CHK					
		.X	±.1	APPD					
		.XX	±.01	SCALE 1=1					
		.XXX	±.005	REF FIG.2-51					
		.XXXX	±.0005	FMF					
NO.	REVISION	BY & DATE	CHK	ANG	±1/2'	FINISH	SIZE	DRAWING NO.	REV.
						TITLE EXTERNAL WIRING DIAGRAM 3 PHASE W/O PROTECTOR	A	005010-01ME	
						MAT'L. DECAL - 004014			
						FINISH			
			RFP	04/12/02		CAD FILE	00501001ME		
			DIST						

THIS DRAWING IN DESIGN AND DETAIL IS OUR PROPERTY AND MUST NOT BE USED EXCEPT IN CONNECTION WITH OUR WORK ALL RIGHTS OF DESIGN AND INVENTION ARE RESERVED THIS IS AN ELECTRONICALLY GENERATED DOCUMENT - DO NOT SCALE THIS PRINT

**CERTIFICATION DATA SHEET**

**Model#:** 145TTFR16033 AA      **WINDING#:** T634341 FR 3  
**CONN. DIAGRAM:** 005010-01ME      **ASSEMBLY:** F1 ONLY  
**OUTLINE:** 028753-750

**TYPICAL MOTOR PERFORMANCE DATA**

HP	KW	SYNC. RPM	F.L. RPM	FRAME	ENCLOSURE	KVA CODE	DESIGN
1 1/2&1 1/2	1.12&1.12	1800	1750&1450	145T	TEFC	L	B

PH	Hz	VOLTS	FL AMPS	START TYPE	DUTY	INSL	S.F	AMB°C	ELEVATION
3	60/50	230/460#190/ 380	4.8/2.4&5/2.5	LINE OR INVERTER	CONTINUOU S	F4	1.15/1.0	40	3300

FULL LOAD EFF: 86.5&85.5	3/4 LOAD EFF: 87.2	1/2 LOAD EFF: 84.2	GTD. EFF	ELEC. TYPE	NO LOAD AMPS
FULL LOAD PF: 67.7&80.5	3/4 LOAD PF: 67.3	1/2 LOAD PF: 55.2	0	SQ CAGE INV RATED	2.5 / 1.2

F.L. TORQUE	LOCKED ROTOR AMPS	L.R. TORQUE	B.D. TORQUE	F.L. RISE°C
4.5 LB-FT	37 / 18.5	17.2 LB-FT 382	20.4 LB-FT 453	45

SOUND PRESSURE @ 3 FT.	SOUND POWER	ROTOR WK^2	MAX. WK^2	SAFE STALL TIME	STARTS /HOUR	APPROX. MOTOR WGT
0 dBA	10 dBA	0.14 LB-FT^2	0.1 LB-FT^2	10 SEC.	0	0 LBS.

**\*\*\* SUPPLEMENTAL INFORMATION \*\*\***

DE BRACKET TYPE	ODE BRACKET TYPE	MOUNT TYPE	ORIENTATION	SEVERE DUTY	HAZARDOUS LOCATION	DRIP COVER	SCREENS	PAINT
STANDARD	STANDARD	RIGID	HORIZONTAL	FALSE	NONE	FALSE	NONE	BLUE (ENAMEL)

BEARINGS		GREASE	SHAFT TYPE	SPECIAL DE	SPECIAL ODE	SHAFT MATERIAL	FRAME MATERIAL
DE	OPE						
BALL	BALL	POLYREX EM	T	NONE	NONE	1144 STRESSPROOF (C-223)	ROLLED STEEL
6205	6203						

THERMO-PROTECTORS				THERMISTORS	CONTROL	SPACE /n HEATERS
THERMOSTATS	PROTECTORS	WDG RTDs	BRG RTDs			
NONE	NOT	NONE	NONE	NONE	FALSE	NONE VOLTS

If Inverter equals NONE, contact factory for further information

INVERTER TORQUE: CONSTANT 10:1		
INV. HP SPEED RANGE: NONE		
ENCODER: NONE		
NONE	NONE	
NONE	NONE	PPR
BRAKE: NONE NONE		
NONE	P/N	NONE
NONE	NONE	
NONE FT-LB	NONE V	NONE Hz

\*  
N  
O  
T  
E  
S  
\*

DATE: 06/23/2017 07:12:40 AM

FORM 3531 REV.3 02/07/99

\*\* Subject to change without notice.



**Data Sheet**

**Date:** 29-06-2017  
**Customer:** \_\_\_\_\_  
**Attention:** \_\_\_\_\_  
**Submitted by:** FAREEDA DUDEKULA



145TFR16033

**Submittal**

Data @ **460 V**

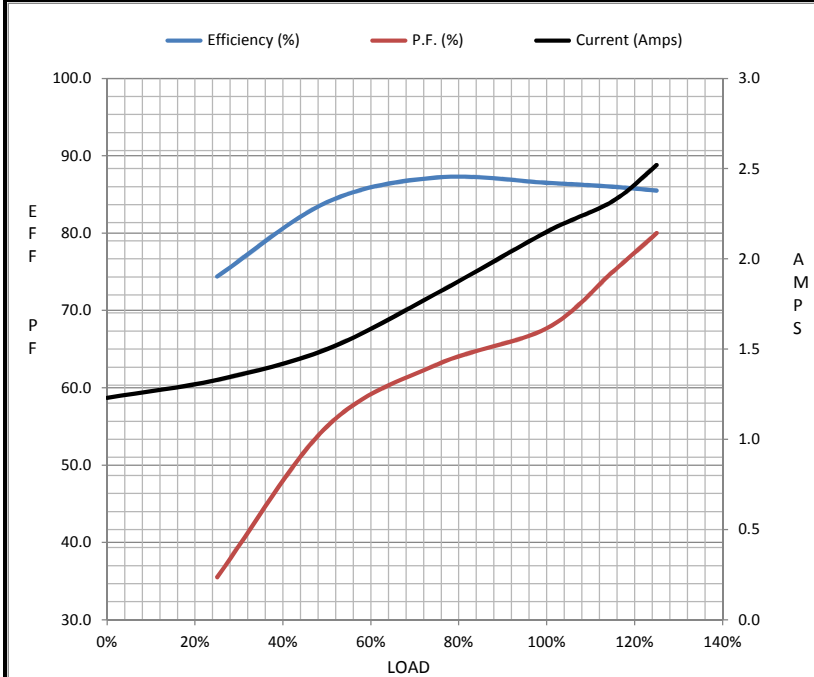
**Motor Load Data**

Load	0%	25%	50%	75%	100%	115%	125%	LR
Current (Amps)	1.23	1.33	1.50	1.81	2.15	2.32	2.52	18.5
Torque (ft-lb)	0.00	1.10	2.25	3.4	4.5	5.2	5.6	17.2
RPM	1800	1785	1772	1760	1750	1,738	1732	0
Efficiency (%)		74.4	84.0	87.2	86.5	86.0	85.5	
P.F. (%)	9.9	35.5	55.0	63.0	67.7	75.0	80.0	48.0

**Motor Speed Data**

	LR	Pull-Up	BD	Rated	Idle
Speed (RPM)	0	900	1600	1750	1800
Current (Amps)	18.5	16.1	12.1	2.15	1.23
Torque (ft-lb)	17.2	16.0	20.4	4.5	0.00

Information Block				
HP	1.5			
Sync. RPM	1800			
Frame	140			
Enclosure	TEFC			
Construction	TFR			
Voltage	230/460#190/38(V)			
Frequency	60 Hz			
Design	B			
LR Code letter	L			
Service Factor	1.15			
Temp Rise @ FL	45 ° C			
Duty	CONT			
Ambient	40 ° C			
Elevation	1,000 feet			
Rotor/Shaft wk <sup>2</sup>	0.14 Lb-Ft <sup>2</sup>			
Ref Wdg	T634341 FR			
Sound Pressure @ 1M	65 dBA			
VFD Rating	CONSTANT 10:1			
Outline Dwg	028753-750			
Conn. Diag	005010-01ME			
Additional Specifications:				
0				
365THFS8036				
EQUIV CKT (OHMS / PHASE)				
R1	R2	X1	X2	Xm
0.0000	0.0000	0.0000	0.0000	0.0000



**Speed - Torque Curve**

