

PRODUCT INFORMATION PACKET

Model No: 254TTFL16036

Catalog No: E2122-P

General Purpose Motor, 15 HP, 3 Ph, 60 Hz, 230/460 V, 1800 RPM, 254T Frame, TEFC



Regal and are trademarks of Regal Rexnord Corporation or one of its affiliated companies.
©2022 Regal Rexnord Corporation, All Rights Reserved. MC017097E

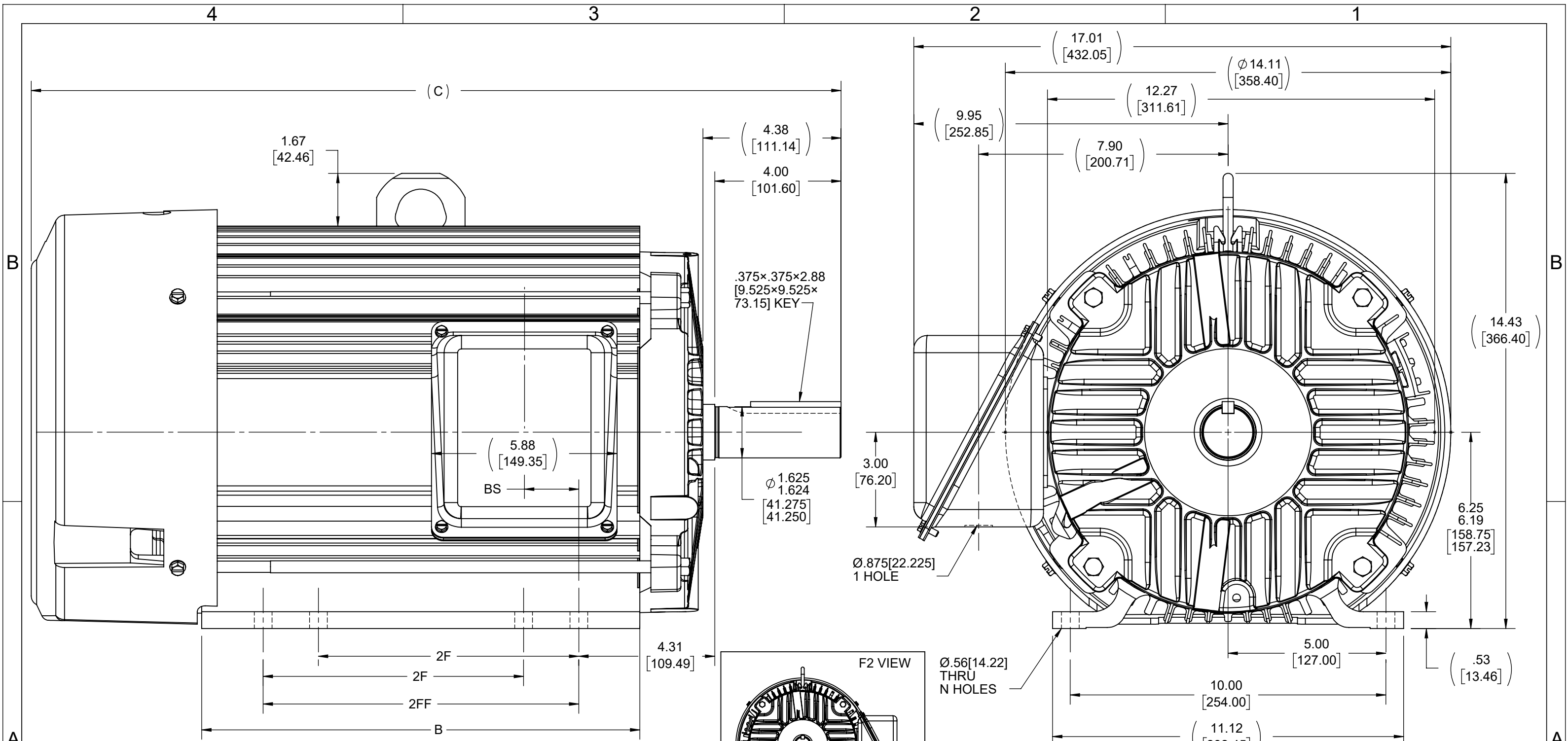
Nameplate Specifications

| | | | |
|------------------------|----------------------|----------------------------|------------------------------------|
| Output HP | 15 Hp | Output KW | 11.2 kW |
| Frequency | 60 Hz | Voltage | 230/460 V |
| Current | 37.5/18.8 A | Speed | 1775 rpm |
| Service Factor | 1.15 | Phase | 3 |
| Efficiency | 92.4 % | Power Factor | 81 |
| Duty | Continuous | Insulation Class | F |
| Design Code | B | KVA Code | G |
| Frame | 254T | Enclosure | Totally Enclosed Fan Cooled |
| Thermal Protection | No Protection | Ambient Temperature | 40 °C |
| Drive End Bearing Size | 6309 | Opp Drive End Bearing Size | 6208 |
| UL | Recognized | CSA | Y |
| CE | Y | IP Code | 43 |
| Number of Speeds | 1 | | |

Technical Specifications

| | | | |
|-----------------------|-------------------------------------|-----------------------|-------------------------|
| Electrical Type | Squirrel Cage Inverter Rated | Starting Method | Line Or Inverter |
| Poles | 4 | Rotation | Reversible |
| Resistance Main | .649 Ohms | Mounting | Rigid Base |
| Motor Orientation | Horizontal | Drive End Bearing | Ball |
| Opp Drive End Bearing | Ball | Frame Material | Aluminum |
| Shaft Type | T | Overall Length | 23.51 in |
| Frame Length | 12.00 in | Shaft Diameter | 1.625 in |
| Shaft Extension | 4.38 in | Assembly/Box Mounting | F1/F2 CAPABLE |
| Inverter Load | CONSTANT 10:1 | | |
| Connection Drawing | A-EE7308 | Outline Drawing | SS321100-1200 |

This is an uncontrolled document once printed or downloaded and is subject to change without notice. Date Created:10/17/2022



- NOTES:
 1. CONDUIT BOX CAN BE ROTATED IN 90° STEPS.
 2. NAMEPLATES TO BE READ FROM CONDUIT BOX SIDE OF MOTOR.

| DASH | FRAME | C | B | 2F | 2FF | BS | N |
|------|--------|-------------------|-------------------|------------------|-------------------|-----------------|---|
| 1200 | 254T | 23.78 [603.90] | 12.13 [308.10] | 8.25 [209.55] | ----- | 1.73 [43.94] | 4 |
| 1375 | 254/6T | 25.66 [651.65] | 13.88 [352.55] | 8.25 [209.55] | 10.00 [254.00] | 1.73 [43.94] | 8 |

| | | |
|--|-------------------|--------------------|
| DRAWING REVISION D | REVISION BY SP | DATE 05-26-2021 |
| ECO CR-0001205 | APPROVED BY AS | DATE 05-26-2021 |
| ECO DESCRIPTION REPLACED FAN GUARD 3C223-E3 TO 205016B | | |
| <small>COPYRIGHT REGAL BELOIT AMERICA, INC. ALL RIGHTS RESERVED PROPRIETARY AND CONFIDENTIAL INFORMATION - THIS DOCUMENT IS THE PROPERTY OF REGAL BELOIT AMERICA, INC. ("OWNER") AND CONTAINS OWNER'S PROPRIETARY INFORMATION. ANY PERSON, CORPORATION OR OTHER FIRM RECEIVING IT IS DEEMED, BY RECEIVING IT, TO AGREE THAT IT, AND/OR ANY PART OF IT, SHALL NOT BE DISCLOSED TO ANY PERSON, CORPORATION OR OTHER ENTITY, DUPLICATED, AND/OR USED, EXCEPT AS EXPRESSLY APPROVED IN WRITING IN ADVANCE BY OWNER. THIS DOCUMENT SHALL BE RETURNED TO OWNER UPON REQUEST. IT MAY BE SUBJECT TO CERTAIN RESTRICTIONS UNDER APPLICABLE EXPORT CONTROL LAWS AND REGULATIONS.</small> | | |

TOLERANCES UNLESS OTHERWISE SPECIFIED:

| DEC. | INCH | mm | ANGLE |
|-------|--------------|------------------|---------------|
| .X | ± 0.1 | [± 2.5] | $\pm 7' 30''$ |
| .XX | ± 0.03 | [± 0.76] | |
| .XXX | ± 0.005 | [± 0.127] | |
| .XXXX | ± 0.0005 | [± 0.0127] | |

REMOVE BURRS & BREAK SHARP EDGES: .003/.015 [0.076/.381] X 45°
 CORNER FILLETS: R.02 [51]
 MACHINED SURFACES: 200 INCH $\sqrt{\text{mm}}$ 5.1
 mm SHOWN IN [BRACKETS]

DRAWN BY
RJW

DATE
02-01-2005

APPROVED BY
BW

DATE
02-01-2005

REFERENCE

THIRD ANGLE PROJECTION

REGAL™ Regal Beloit America, Inc.

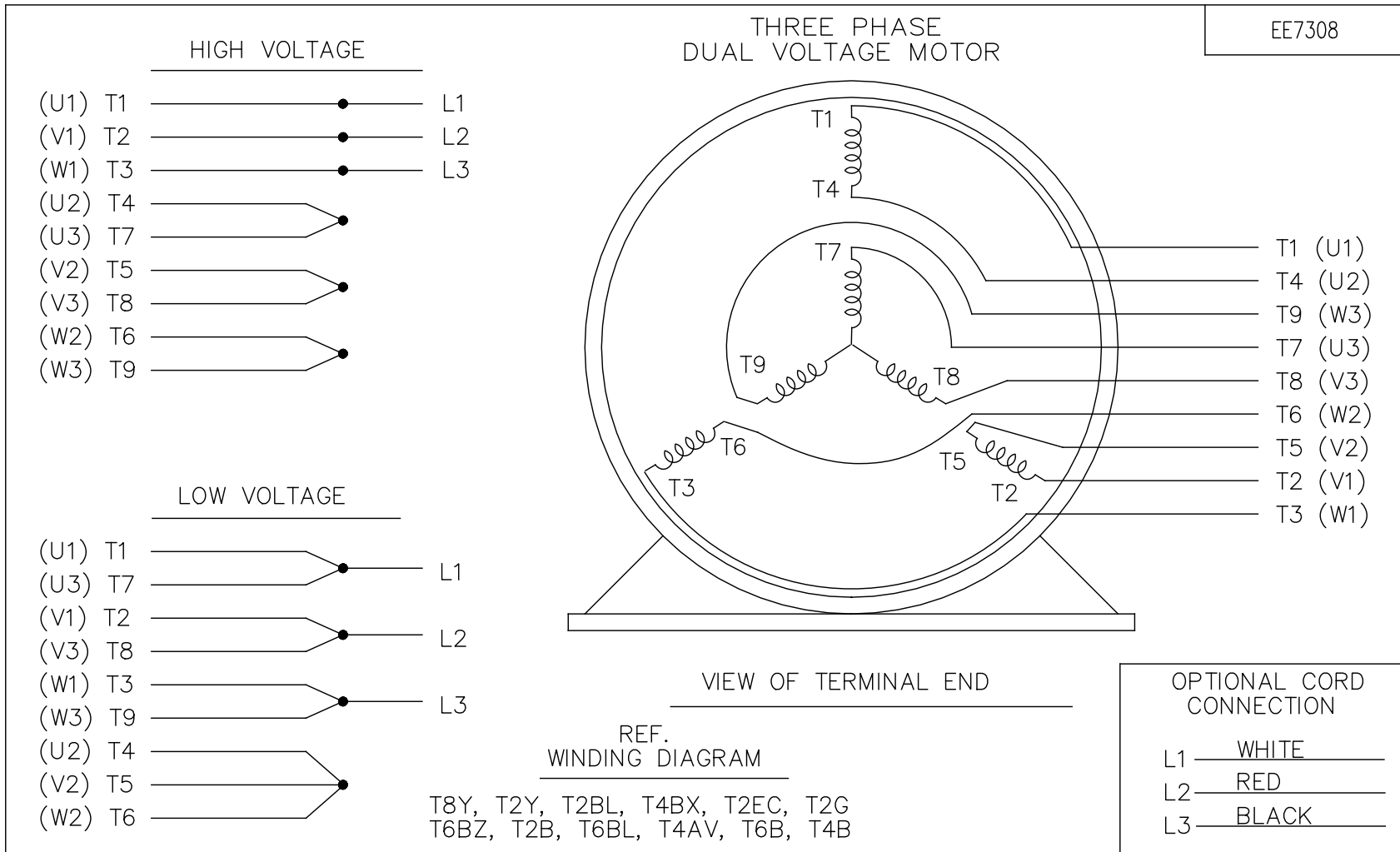
DESCRIPTION
OUTLINE
250T FR.-ALUM. FR.-TEFC

MATERIAL
PROCESS/FINISH

SIZE
B

DRAWING NUMBER
SS321100

SHEET
1 OF 1



| NO. | REVISION | BY & DATE | CHK | ANG | TOLERANCES UNLESS SPECIFIED | | FINISH | DRAWN RM 11/20/1990 | | | | |
|--|--|----------------|-----|-------|-----------------------------|--------|--------------------------|---------------------|--------|--------------------|-----------|--------|
| | | | | | DEC. | INCHES | | | | | | |
| 5 | CHG TO REGAL LOGO | SL 09/10/2015 | AB | | | | | CHK ML 11/21/1990 | | | | |
| 4 | REVISED IEC NOTATIONS | MSG 11/15/2011 | CMN | .X | ±.1 | | | APPD SAS 04/24/2003 | | | | |
| 3 | ADDED IEC NOTATIONS... (U1), (V1) ETC. MU95194 | MSG 5/10/2010 | MJS | .XX | ±.02 | | TITLE CONNECTION DIAGRAM | SCALE 1=1 | | | | |
| 2 | ADDED THE OPTIONAL CORD CONNECTION MU46318 | RDH 04/24/2003 | DRS | .XXX | ±.005 | | 3Ø - DUAL VOLTAGE MOTOR | REF | | | | |
| 1 | REDRAWN | RM 11/20/1990 | | .XXXX | ±.0005 | | MAT'L. | FMF | | | | |
| | | | | | ±7'30" | | | PREV | | | | |
| THIS DRAWING IN DESIGN AND DETAIL IS OUR PROPERTY AND MUST NOT BE USED EXCEPT IN CONNECTION WITH OUR WORK ALL RIGHTS OF DESIGN AND INVENTION ARE RESERVED THIS IS AN ELECTRONICALLY GENERATED DOCUMENT - DO NOT SCALE THIS PRINT | | | | | | | RFP | CAD FILE ee7308 | SIZE A | DRAWING NO. EE7308 | PAGE OF 5 | REV. 5 |
| | | | | | | | DIST WP | | | | | |

CERTIFICATION DATA SHEET

Model#: 254TTFL16036 AN
CONN. DIAGRAM: A-EE7308
OUTLINE: SS321100-1200

WINDING#: K2564165 R26 1
ASSEMBLY: F1/F2 CAPABLE

TYPICAL MOTOR PERFORMANCE DATA

| HP | KW | SYNC. RPM | F.L. RPM | FRAME | ENCLOSURE | KVA CODE | DESIGN |
|-------|-----------|-----------|-----------|-------|-----------|----------|--------|
| 15&15 | 11.2&11.2 | 1800 | 1775&1460 | 254T | TEFC | G | B |

| PH | Hz | VOLTS | FL AMPS | START TYPE | DUTY | INSL | S.F | AMB°C | ELEVATION |
|----|-------|---------------------|-----------------------|---------------------|----------------|------|-----------|-------|-----------|
| 3 | 60/50 | 230/460#190/ 380 | 37.5/18.8&45/ 22.5 | LINE OR INVERTER | CONTINUOU S | F3 | 1.15/1.15 | 40 | 3300 |

| FULL LOAD EFF: 92.4&91 | 3/4 LOAD EFF: 92.4 | 1/2 LOAD EFF: 91 | GTD. EFF | ELEC. TYPE | NO LOAD AMPS |
|---------------------------|--------------------|------------------|----------|-------------------|--------------|
| FULL LOAD PF: 81&84 | 3/4 LOAD PF: 78 | 1/2 LOAD PF: 68 | 91.7 | SQ CAGE INV RATED | 15.6 / 7.8 |

| F.L. TORQUE | LOCKED ROTOR AMPS | L.R. TORQUE | B.D. TORQUE | F.L. RISE°C |
|-------------|-------------------|--------------|---------------|-------------|
| 44.4 LB-FT | 220 / 110 | 85 LB-FT 191 | 125 LB-FT 282 | 55 |

| SOUND PRESSURE @ 3 FT. | SOUND POWER | ROTOR WK^2 | MAX. WK^2 | SAFE STALL TIME | STARTS /HOUR | APPROX. MOTOR WGT |
|---------------------------|-------------|-------------|-------------|-----------------|-----------------|----------------------|
| 65 dBA | 75 dBA | 2.4 LB-FT^2 | 110 LB-FT^2 | 25 SEC. | 2 | 325 LBS. |

***** SUPPLEMENTAL INFORMATION *****

| DE BRACKET TYPE | ODE BRACKET TYPE | MOUNT TYPE | ORIENTATION | SEVERE DUTY | HAZARDOUS LOCATION | DRIP COVER | SCREENS | PAINT |
|--------------------|---------------------|---------------|-------------|----------------|-----------------------|---------------|---------|------------------|
| STANDARD | STANDARD | RIGID | HORIZONTAL | FALSE | NONE | FALSE | NONE | BLUE (ENAMEL) |

| BEARINGS | | GREASE | SHAFT TYPE | SPECIAL DE | SPECIAL ODE | SHAFT MATERIAL | FRAME MATERIAL |
|----------|------|------------|------------|------------|-------------|----------------------------|-------------------|
| DE | OPE | | | | | | |
| BALL | BALL | POLYREX EM | T | NONE | NONE | 1045 HOT ROLLED (C-204) | ALUMINUM |
| 6208 | 6309 | | | | | | |

| THERMO-PROTECTORS | | | | THERMISTORS | CONTROL | SPACE /n HEATERS |
|-------------------|------------|----------|----------|-------------|---------|------------------|
| THERMOSTATS | PROTECTORS | WDG RTDs | BRG RTDs | | | |
| NONE | NOT | NONE | NONE | NONE | FALSE | NONE VOLTS |

If Inverter equals NONE, contact factory for further information

*
N
O
T
E
S
*

| |
|--------------------------------|
| INVERTER TORQUE: CONSTANT 10:1 |
| INV. HP SPEED RANGE: NONE |
| ENCODER: NONE |
| NONE NONE |
| NONE NONE PPR |
| BRAKE: NONE NONE |
| NONE P/N NONE |
| NONE NONE |
| - FT-LB NONE V NONE Hz |

DATE: 06/23/2017 04:13:53 AM
 FORM 3531 REV.3 02/07/99
 ** Subject to change without notice.

Data Sheet

254TTFL16036

Date: 1/25/2019
 Customer: _____
 Attention: _____
 Submitted by: FAREEDA DUDEKULA



Submittal

Data @ 460 V

Motor Load Data

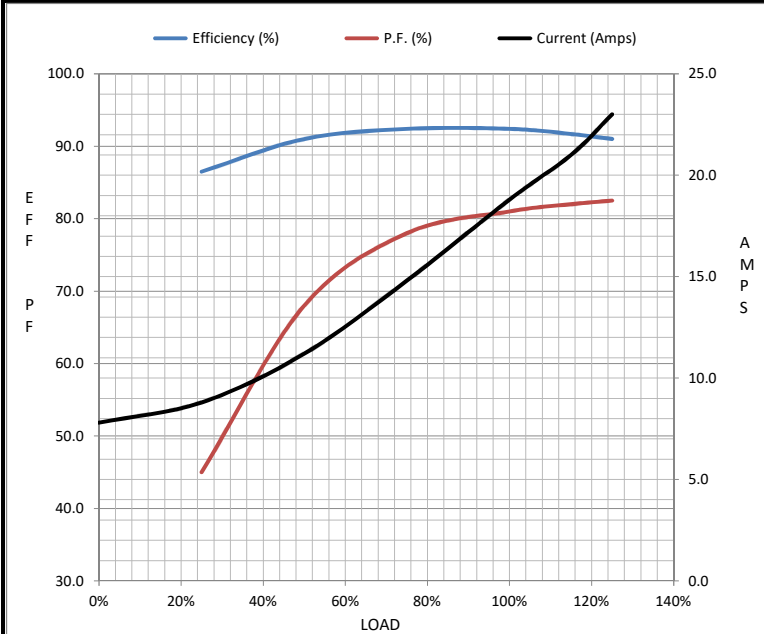
| Load | 0% | 25% | 50% | 75% | 100% | 115% | 125% | LR |
|----------------|------|------|------|------|------|-------|------|------|
| Current (Amps) | 7.8 | 8.8 | 11.2 | 14.8 | 18.8 | 21.0 | 23.0 | 110 |
| Torque (ft-lb) | 0.00 | 11.0 | 22.0 | 33.5 | 44.4 | 50.5 | 56.0 | 85.0 |
| RPM | 1800 | 1792 | 1788 | 1780 | 1775 | 1,770 | 1765 | 0 |
| Efficiency (%) | | 86.5 | 91.0 | 92.4 | 92.4 | 91.7 | 91.0 | |
| P.F. (%) | 11.5 | 45.0 | 68.0 | 78.0 | 81.0 | 82.0 | 82.5 | 40.0 |

Motor Speed Data

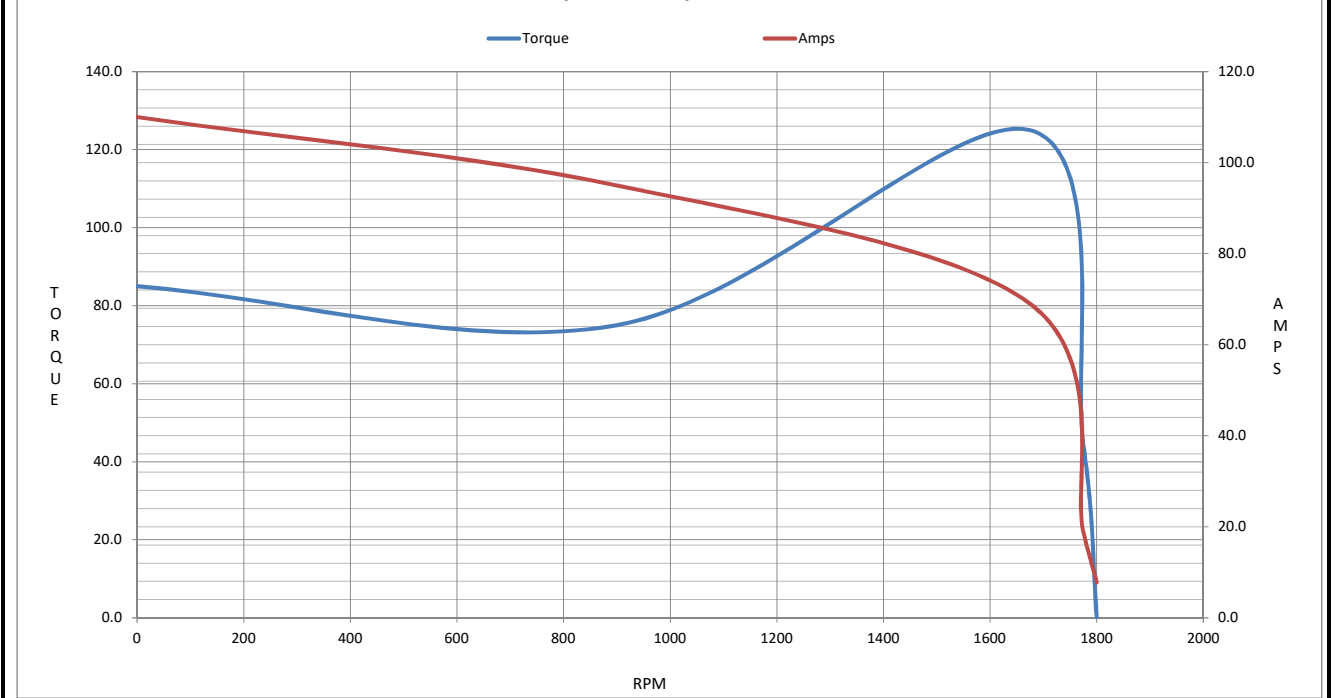
| | LR | Pull-Up | BD | Rated | Idle |
|----------------|------|---------|------|-------|------|
| Speed (RPM) | 0 | 900 | 1675 | 1775 | 1800 |
| Current (Amps) | 110 | 95.0 | 69.0 | 18.8 | 7.8 |
| Torque (ft-lb) | 85.0 | 75.0 | 125 | 44.4 | 0.00 |

Information Block

| | | | | |
|-----------------------------|-------------------------|--------|--------|---------|
| HP | 15.0 | | | |
| Sync. RPM | 1800 | | | |
| Frame | 254 | | | |
| Enclosure | TEFC | | | |
| Construction | TFL | | | |
| Voltage | 230/460#190/380 V | | | |
| Frequency | 60 Hz | | | |
| Design | B | | | |
| LR Code letter | G | | | |
| Service Factor | 1.15 | | | |
| Temp Rise @ FL | 55 °C | | | |
| Duty | CONT | | | |
| Ambient | 40 °C | | | |
| Elevation | 3,300 feet | | | |
| Rotor/Shaft wk ² | 2.40 Lb-Ft ² | | | |
| Ref Wdg | K2564165 R26 | | | |
| Sound Pressure @ 1M | 65 dBA | | | |
| VFD Rating | CONSTANT 10:1 | | | |
| Outline Dwg | SS321100-1200 | | | |
| Conn. Diag | A-EE7308 | | | |
| Additional Specifications: | | | | |
| 0 | | | | |
| 0 | | | | |
| EQUIV CKT (OHMS / PHASE) | | | | |
| R1 | R2 | X1 | X2 | Xm |
| 0.3760 | 0.2380 | 1.3510 | 1.7770 | 32.5080 |



Speed - Torque Curve



EC Declaration of Conformity

The undersigned representing
the manufacturer:

Regal Beloit America
100 East Randolph St.
Wausau, WI 54401

and the authorized representative
established within the Community:

Marathon Electric UK
6F Thistleton Road Ind. Estate
Market Overton
Oakham, Rutland LE15 7PP UK

are committed to providing customers with products that comply with applicable regulations and international protocols to which they are subject, including the requirements of the European Parliament Directive on the Harmonization of the laws relating to electrical equipment designed for use within certain voltage limits (2014/35/EU).

Regal Beloit America declares that the following product(s), to which this declaration relates, are in conformity with the relevant sections of the EC standards listed below.

This statement supersedes any statements previously issued pertaining to the product(s) listed below and is subject to change without notice.

Model No : 254TTFL16036

(Model No. may contain prefix and/or suffix characters)

Catalog No : E2122-P

Rework No : N/A

Directives :

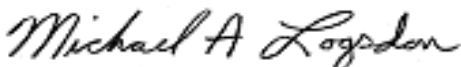
Low Voltage Directive 2014/35/EU

Harmonized Standards Used :

EN 60034-1: 2010 (IEC 60034-1: 2010)

EN 60034-5: 2001/A1:2007 (IEC 60034-5: 2000/A1:2006)

Authorized Representative:



Michael A. Logsdon
Vice President, Technology

Authorized Representative in the Community:



Julian Clark
Marketing Engineer

Created on 09/01/2022

CE 22