

# PRODUCT INFORMATION PACKET

Model No: 182TTFCD16584

Catalog No: E380B

XRI®-SD Severe Duty Motor, 1.50 HP, 3 Ph, 60 Hz, 460 V, 1200 RPM, 182T Frame, TEFC



Regal and Marathon are trademarks of Regal Rexnord Corporation or one of its affiliated companies.

©2022 Regal Rexnord Corporation, All Rights Reserved. MC017097E



### Nameplate Specifications

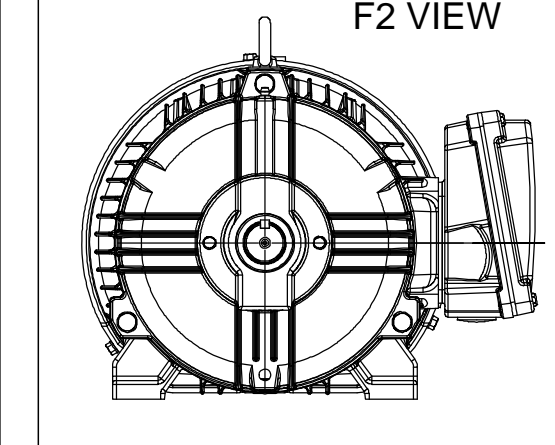
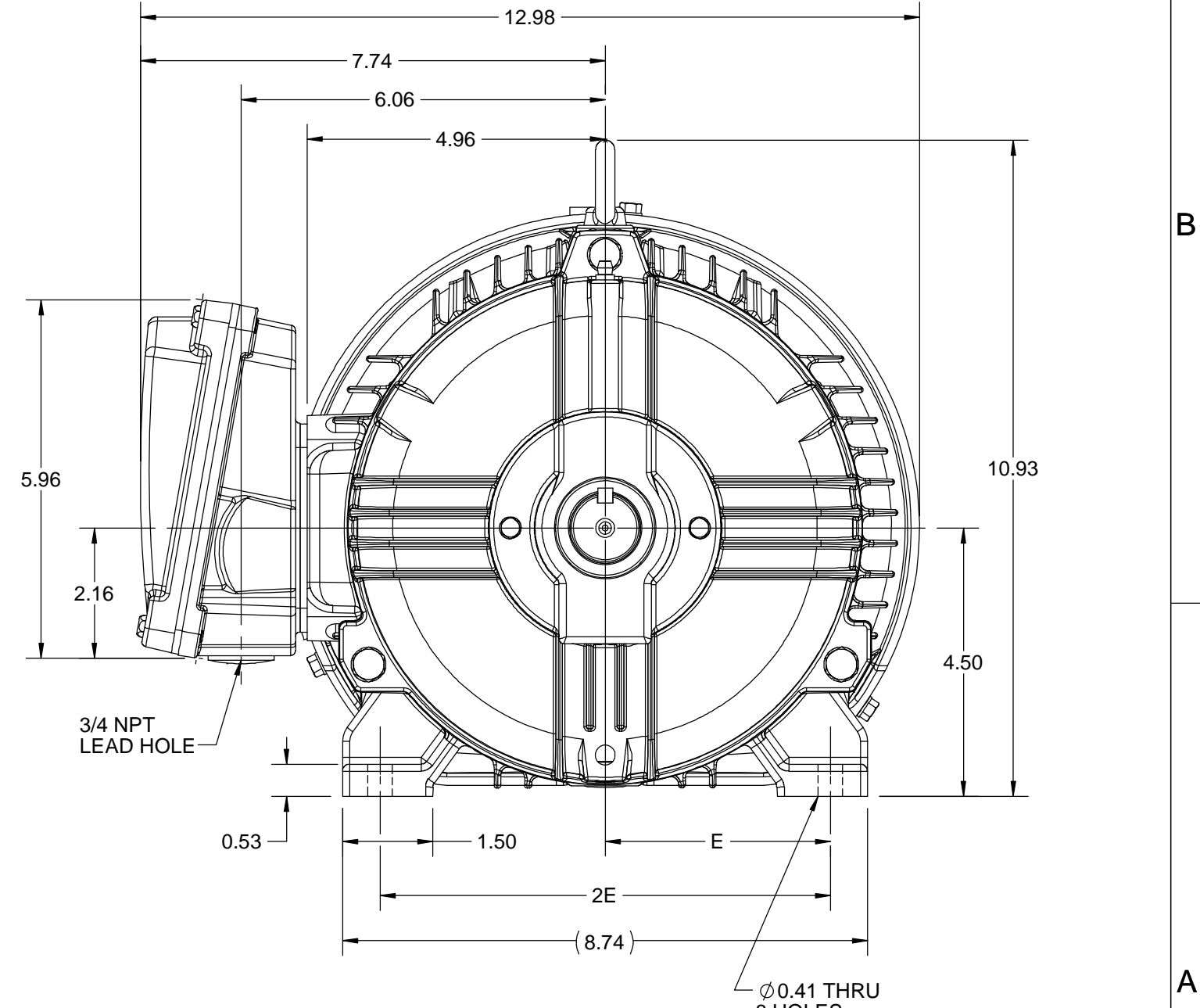
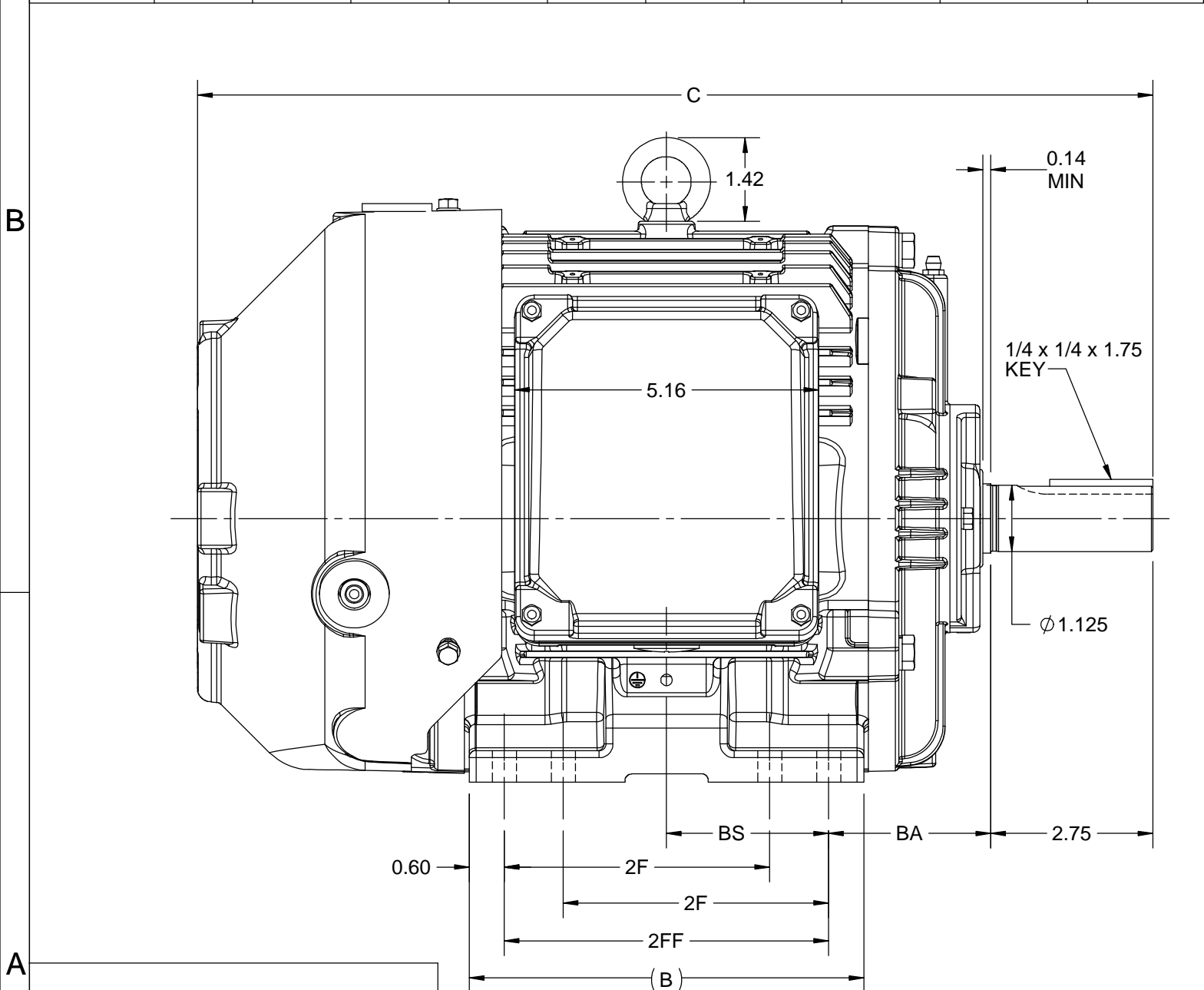
Output HP	<b>1.50 Hp</b>	Output KW	<b>1.1 kW</b>
Frequency	<b>60 Hz</b>	Voltage	<b>460 V</b>
Current	<b>2.3 A</b>	Speed	<b>1175 rpm</b>
Service Factor	<b>1.15</b>	Phase	<b>3</b>
Efficiency	<b>87.5 %</b>	Power Factor	<b>70</b>
Duty	<b>Continuous</b>	Insulation Class	<b>H</b>
Design Code	<b>B</b>	KVA Code	<b>L</b>
Frame	<b>182T</b>	Enclosure	<b>Totally Enclosed Fan Cooled</b>
Thermal Protection	<b>No Protection</b>	Ambient Temperature	<b>40 °C</b>
Drive End Bearing Size	<b>6206</b>	Opp Drive End Bearing Size	<b>6205</b>
UL	<b>Listed</b>	CSA	<b>Y</b>
CE	<b>Y</b>	IP Code	<b>55</b>
Hazardous Location	<b>DIVISION 2 T2B</b>	Number of Speeds	<b>1</b>

### Technical Specifications

Electrical Type	<b>Squirrel Cage Inverter Rated</b>	Starting Method	<b>Line Or Inverter</b>
Poles	<b>6</b>	Rotation	<b>Reversible</b>
Resistance Main	<b>6.995 Ohms</b>	Mounting	<b>Rigid Base</b>
Motor Orientation	<b>Horizontal</b>	Drive End Bearing	<b>Ball</b>
Opp Drive End Bearing	<b>Ball</b>	Frame Material	<b>Cast Iron</b>
Shaft Type	<b>T</b>	Shaft Diameter	<b>1.125 in</b>
Assembly/Box Mounting	<b>F1/F2 CAPABLE</b>	Inverter Load	<b>CONSTANT 10:1/VARIABLE 10:1</b>
Connection Drawing	<b>EE7300</b>	Outline Drawing	<b>SS600210-100</b>

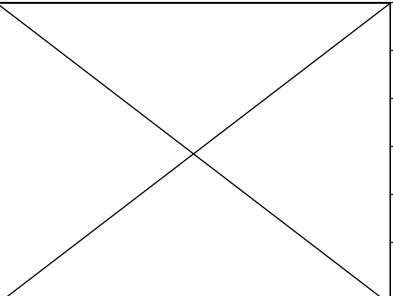
This is an uncontrolled document once printed or downloaded and is subject to change without notice. Date Created:11/29/2022

DASH NO.	4			3				2		1
	B	C	E	2E	2F	2FF	BA	BS	MOUNTING	FRAME
100	5.67	15.20	3.75	7.50	-	4.50	2.75	2.35	F1 OR F2	182T
200	6.69	16.20			4.50	5.50		2.75	F1 OR F2	182/184T



4 3 2 1

DRAWING REVISION C	REVISION BY BISWA	DATE 06/10/2020
ECO ECO-0194180	APPROVED BY GNK	DATE 06/10/2020
ECO DESCRIPTION <b>DRAWING UPDATED</b> COPYRIGHT REGAL BELOIT AMERICA, INC. ALL RIGHTS RESERVED. PROPRIETARY AND CONFIDENTIAL INFORMATION - THIS DOCUMENT IS THE PROPERTY OF REGAL BELOIT AMERICA, INC. ("OWNER") AND CONTAINS OWNER'S PROPRIETARY INFORMATION. ANY PERSON, CORPORATION OR OTHER FIRM RECEIVING IT IS DEEMED, BY RECEIVING IT, TO AGREE THAT IT, AND/OR ANY PART OF IT, SHALL NOT BE DISCLOSED TO ANY PERSON, CORPORATION OR OTHER ENTITY, DUPLICATED, AND/OR USED, EXCEPT AS EXPRESSLY APPROVED IN WRITING IN ADVANCE BY OWNER. THIS DOCUMENT SHALL BE RETURNED TO OWNER UPON REQUEST. IT MAY BE SUBJECT TO CERTAIN RESTRICTIONS UNDER APPLICABLE EXPORT CONTROL LAWS AND REGULATIONS.		

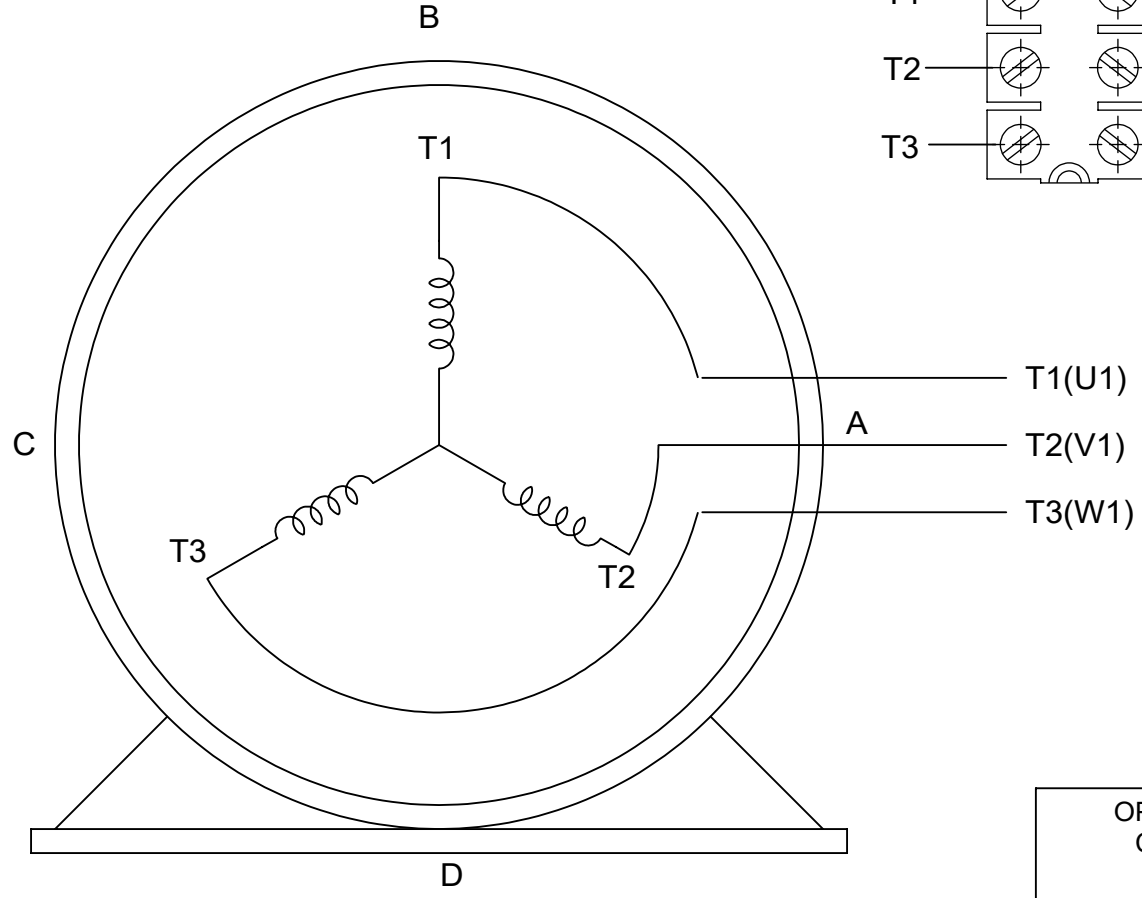
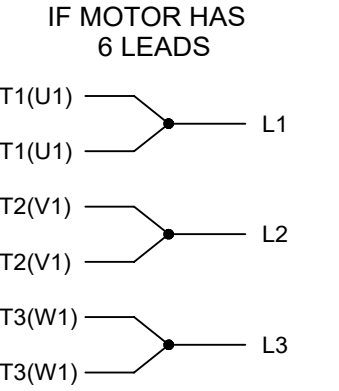
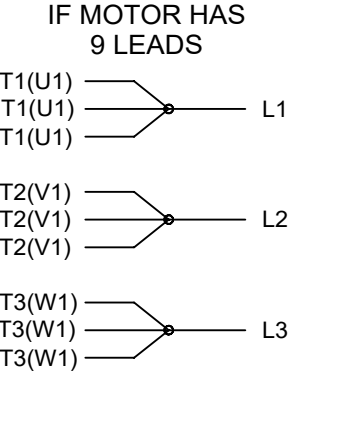


DRAWN BY BISWA	<b>REGAL</b> ™ Regal Beloit America, Inc.
DATE 24/12/2018	
APPROVED BY SBD	DESCRIPTION <b>OUTLINE</b> 182/184T FR-NEMA-SD & IEEE841
DATE 24/12/2018	MATERIAL
REFERENCE	PROCESS/FINISH
THIRD ANGLE PROJECTION	SIZE <b>B</b>
	DRAWING NUMBER <b>SS600210</b>
	SHEET 1 OF 1

THREE PHASE - SINGLE VOLTAGE  
MOTOR - CONDUIT BOX @ 'A'

TERMINAL BLOCK WHEN SPECIFIED

TO REVERSE ROTATION:  
INTERCHANGE ANY TWO LINE  
LEAD CONNECTIONS



VIEW OF TERMINAL END

**OPTIONAL CORD CONNECTION**

L1	WHITE
L2	RED
L3	BLACK

A-9806 DECAL

DRAWING REVISION AC	REVISION BY BS	REV DATE/© DATE 26/07/2022
REQUEST NUMBER CR-0010402	APPROVED BY SN	DATE 26/07/2022
REQUEST NUMBER DESCRIPTION DRAWING UPDATED		
<small>COPYRIGHT (PER REVISION DATE) REGAL BELOIT AMERICA, INC. ALL RIGHTS RESERVED. PROPRIETARY AND CONFIDENTIAL INFORMATION - THIS DOCUMENT IS THE PROPERTY OF REGAL BELOIT AMERICA, INC. ("OWNER") AND CONTAINS OWNER'S PROPRIETARY INFORMATION. ANY PERSON, CORPORATION OR OTHER FIRM RECEIVING IT IS DEEMED, BY RECEIVING IT, TO AGREE THAT IT, AND/OR ANY PART OF IT, SHALL NOT BE DISCLOSED TO ANY PERSON, CORPORATION OR OTHER ENTITY, DUPLICATED, AND/OR USED, EXCEPT AS EXPRESSLY APPROVED IN WRITING IN ADVANCE BY OWNER. THIS DOCUMENT SHALL BE RETURNED TO OWNER UPON REQUEST. IT MAY BE SUBJECT TO CERTAIN RESTRICTIONS UNDER APPLICABLE EXPORT CONTROL LAWS AND REGULATIONS.</small>		

PRIMARY DIMENSIONS ARE INCH  
mm DIMENSIONS IN [BRACKETS]  
ARE FOR REFERENCE ONLY

DRAWN BY DA
DATE 03-26-1993
APPROVED BY TB
DATE 03-26-1993
REFERENCE
THIRD ANGLE PROJECTION

		Regal Beloit America, Inc.	
DESCRIPTION <b>CONNECTION DIAGRAM</b> EXTERNAL - SINGLE VOLTAGE - 3Ø MOTOR			
MATERIAL		PROCESS/FINISH	
SIZE <b>A</b>	DRAWING NUMBER <b>EE7300</b>		SHEET 1 OF 1



DATA VOLTS: 460

**CERTIFICATION DATA SHEET**

CONN. DIAGRAM: EE7300  
 REFERENCE MODEL #: 182TTFCD16584  
 OUTLINE: SS600210-182T  
 CAT #: E380B  
 WINDING: HE31126008 NONE 1  
 MOUNTING: F1/F2 CAPABLE

**TYPICAL MOTOR PERFORMANCE DATA**

HP	KW	SYNC RPM	FL RPM	FRAME	ENCLOSURE	TYPE	KVA CODE	DESIGN									
1.5	1.1	1200	1175	182T	TEFC	TFC	L	B									
PH	HZ	VOLTS	AMPS	START TYPE	DUTY	INSL	S.F.	AMB (° C)	ELEV. (Ft)								
3	60	460		LINE OR INVERTER	CONT	H	1.15	40	3300								
F.L. EFF		87.5	3/4 LD EFF		86.0	1/2 LD EFF		84.0	GTD EFF		86.5	ELECT. TYPE					
F.L. PF		70.0	3/4 LD PF		59.5	1/2 LD PF		48.0	SQ CAGE INV RATED								
F.L. TORQUE		LR AMPS		L.R. TORQUE		B.D. TORQUE		F.L. RISE (° C)									
6.7	LB-FT	18.5	16.2	LB-FT	242%	25.5	LB-FT	381%	25								
SOUND PRESSURE		SOUND		ROTOR WK²		MAX. LOAD WK²		SAFE STALL TIME		STARTS/HOUR		APROX.					
55	dBA	64	dBA	0.40	LB-FT²	32	LB-FT²	15	SEC.	2	118	LB.					
*** SUPPLEMENTAL INFORMATION ***																	
DE BRACKET TYPE		ODE BRACKET TYPE		MOUNT TYPE		MOTOR ORIENTATION		SEVERE DUTY		HAZARDOUS LOCATION		DRIP COVER		SCREENS		PAINT	
STANDARD		STANDARD		RIGID		HORIZONTAL		PREMIUM SEVERE DUTY		DIVISION 2 T2B		NO		NONE		BLUE (EPOXY)	
BEARINGS		GREASE		SHAFT TYPE		SPECIAL DE		SPECIAL ODE		SHAFT MATERIAL		FRAME MATERIAL					
DE	ODE	POLYREX EM		T		NONE		NONE		1045 HOT ROLLED (C-204)		CAST IRON					
BALL	BALL																
6206	6205																
THERMOSTATS		PROTECTORS		WDG RTD's		BRG RTD's		THERMISTORS		CONTROL		SPACE HEATERS					
NONE		NOT		NONE		NONE		NONE		FALSE		NA					
R1 (ohms/ph)		R2 (ohms/ph)		X1 (ohms/ph)		X2 (ohms/ph)		Xm (ohms/ph)		VIBRATION (in/sec)		FLOAT					
3.969		2.835		10.962		12.852		171.045		0.080		ODE					
* N O T E S *	If Inverter equals NONE, contact factory for further information																
	INVERTER TORQUE: CONSTANT 10:1/VARIABLE 10:1 INV. HP SPEED RANGE: NONE																
	ENCODER: NONE NONE NONE																
	NONE PPR																
PREPARED BY:		BRAKE: NONE NONE															
DATE: 5/12/2020		FT-LB: NA VOLTAGE: NONE HZ:															

FORM: 3531 REV\_4 2/27/06

\*\* Subject to change without notice.

Data Sheet

Date: 5/6/2020  
 Customer: \_\_\_\_\_  
 Attention: \_\_\_\_\_  
 Submitted by: \_\_\_\_\_

182TTFCD16584



Submittal

Data @ 460 V

Motor Load Data

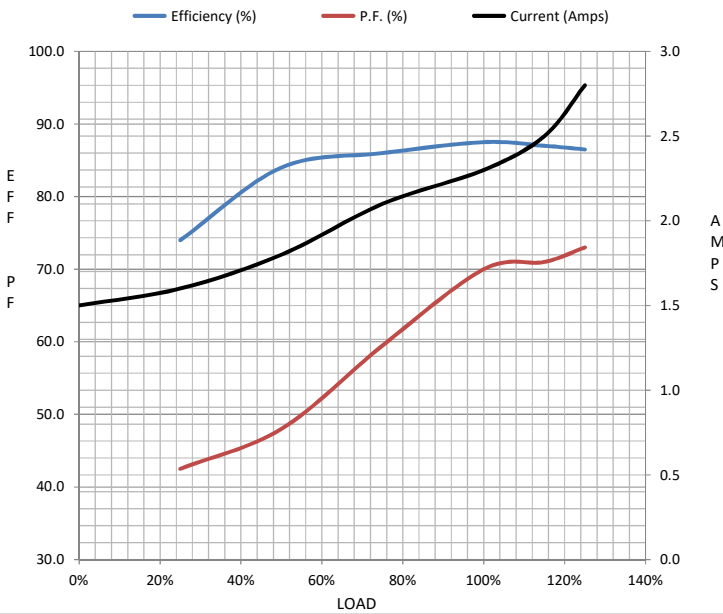
Load	0%	25%	50%	75%	100%	115%	125%	LR
Current (Amps)	1.50	1.60	1.80	2.10	2.30	2.50	2.80	18.5
Torque (ft-lb)	0.00	1.70	3.4	5.0	6.7	7.7	8.4	16.2
RPM	1200	1195	1188	1184	1175	1,170	1165	0
Efficiency (%)		74.0	84.0	86.0	87.5	87.0	86.5	
P.F. (%)	7.0	42.5	48.0	59.5	70.0	71.0	73.0	47.0

Motor Speed Data

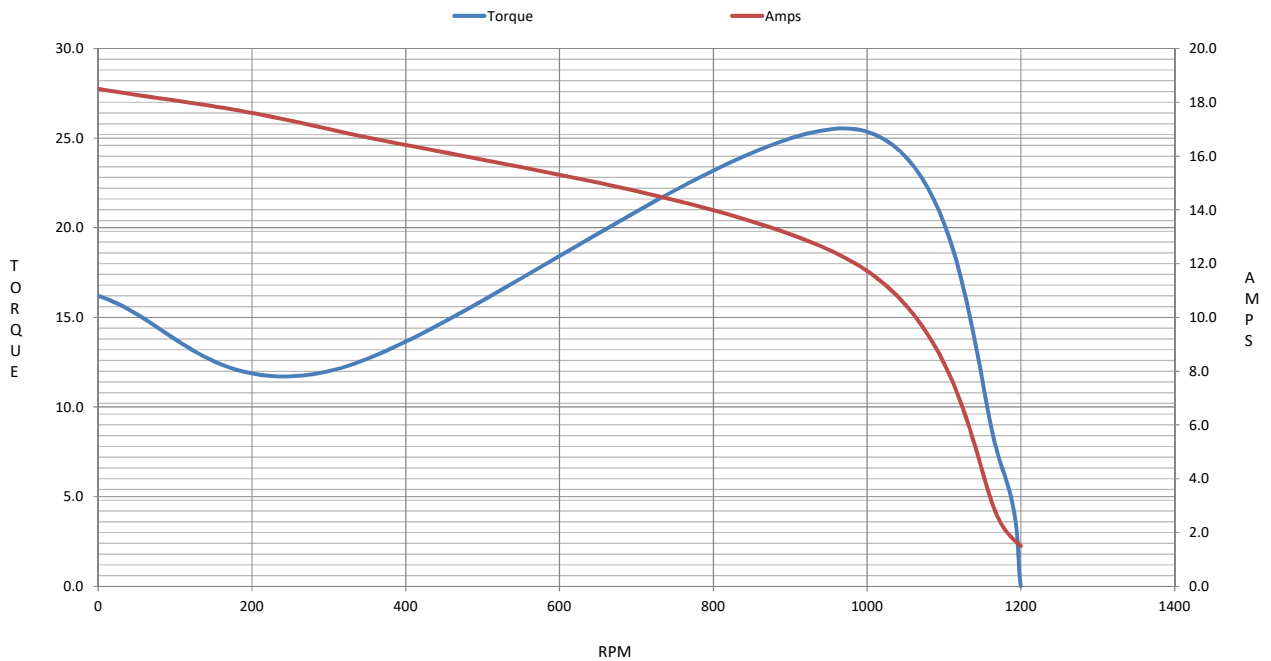
	LR	Pull-Up	BD	Rated	Idle
Speed (RPM)	0	300	985	1175	1200
Current (Amps)	18.5	17.0	12.0	2.30	1.50
Torque (ft-lb)	16.2	12.0	25.5	6.7	0.00

Information Block

HP	1.5			
Sync. RPM	1200			
Frame	182			
Enclosure	TEFC			
Construction	TFC			
Voltage	460 V			
Frequency	60 Hz			
Design	B			
LR Code letter	L			
Service Factor	1.15			
Temp Rise @ FL	25 °C			
Duty	CONT			
Ambient	40 °C			
Elevation	3,300 feet			
Rotor/Shaft wk <sup>2</sup>	0.40 Lb-Ft <sup>2</sup>			
Ref Wdg	HE31126008 NONE			
Sound Pressure @ 1M	55 dBA			
VFD Rating	CONSTANT 10:1/VARIABLE 10:1			
Outline Dwg	SS600210-182T			
Conn. Diag	EE7300			
Additional Specifications:				
0				
0				
EQUIV CKT (OHMS / PHASE)				
R1	R2	X1	X2	Xm
3.9690	2.8350	10.9620	12.8520	171.0450



Speed -Torque Curve



## EC Declaration of Conformity

The undersigned representing  
the manufacturer:

Regal Beloit America  
100 East Randolph St.  
Wausau, WI 54401

and the authorized representative  
established within the Community:

Marathon Electric UK  
6F Thistleton Road Ind. Estate  
Market Overton  
Oakham, Rutland LE15 7PP UK

are committed to providing customers with products that comply with applicable regulations and international protocols to which they are subject, including the requirements of the European Parliament Directive on the Harmonization of the laws relating to electrical equipment designed for use within certain voltage limits (2014/35/EU).

Regal Beloit America declares that the following product(s), to which this declaration relates, are in conformity with the relevant sections of the EC standards listed below.

This statement supersedes any statements previously issued pertaining to the product(s) listed below and is subject to change without notice.

Model No : 182TTFCD16584

(Model No. may contain prefix and/or suffix characters)

Catalog No : E380B

Rework No : N/A

Directives :

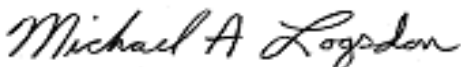
Low Voltage Directive 2014/35/EU

Harmonized Standards Used :

EN 60034-1: 2010 (IEC 60034-1: 2010)

EN 60034-5: 2001/A1:2007 (IEC 60034-5: 2000/A1:2006)

Authorized Representative:



Michael A. Logsdon  
Vice President, Technology

Authorized Representative in the Community:



Julian Clark  
Marketing Engineer

Created on 09/01/2022

**CE 22**