

# PRODUCT INFORMATION PACKET

Model No: 326TSTFCD6536

Catalog No: E453A

XRI®-SD Severe Duty Motor, 50 HP, 3 Ph, 60 Hz, 460 V, 1800 RPM, 326TS Frame, TEFC



Regal and Marathon are trademarks of Regal Rexnord Corporation or one of its affiliated companies.  
©2022 Regal Rexnord Corporation, All Rights Reserved. MC017097E

### Nameplate Specifications

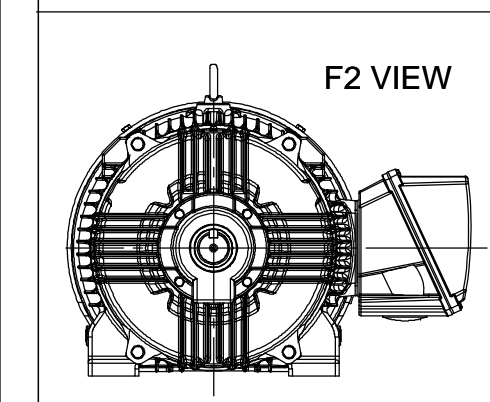
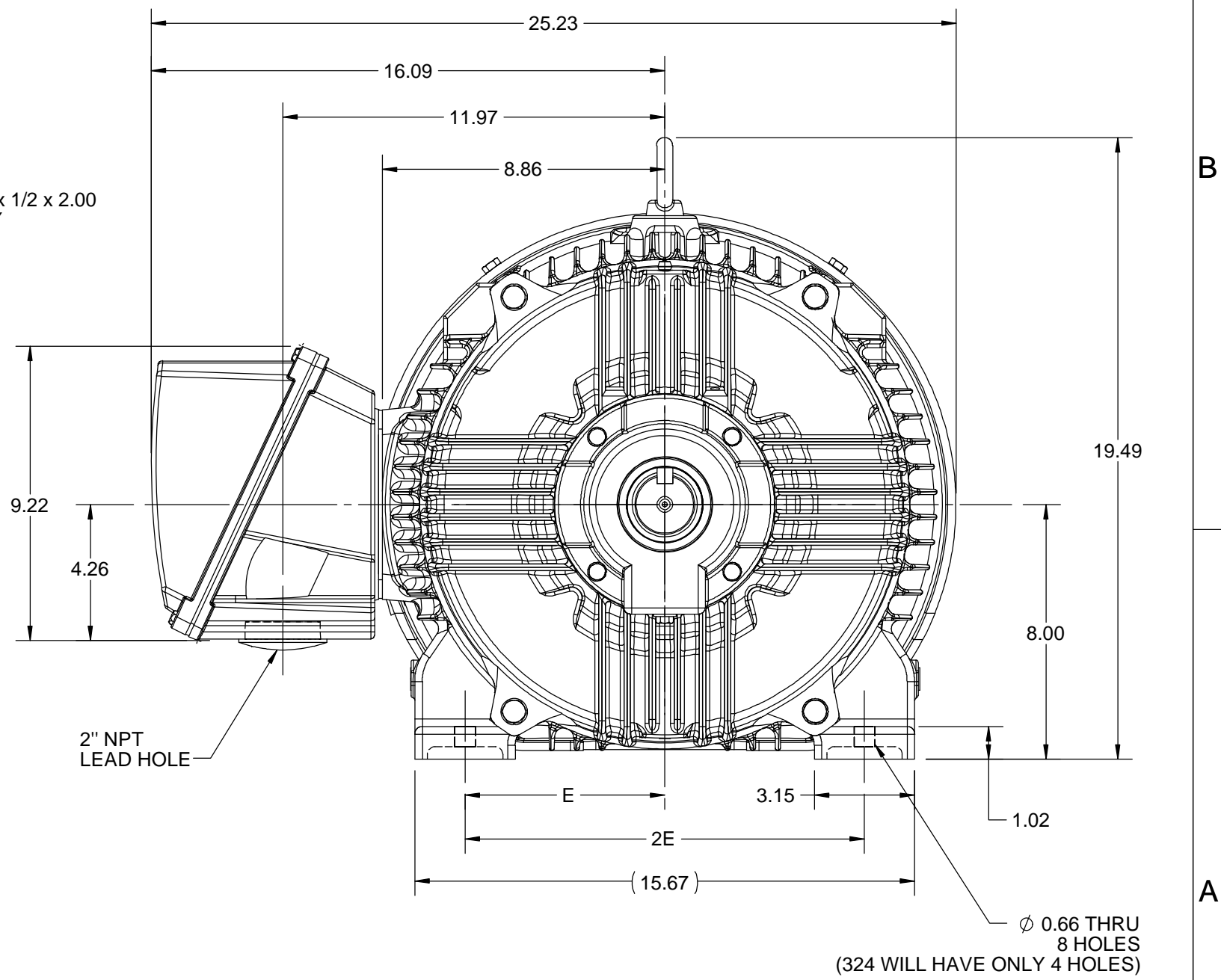
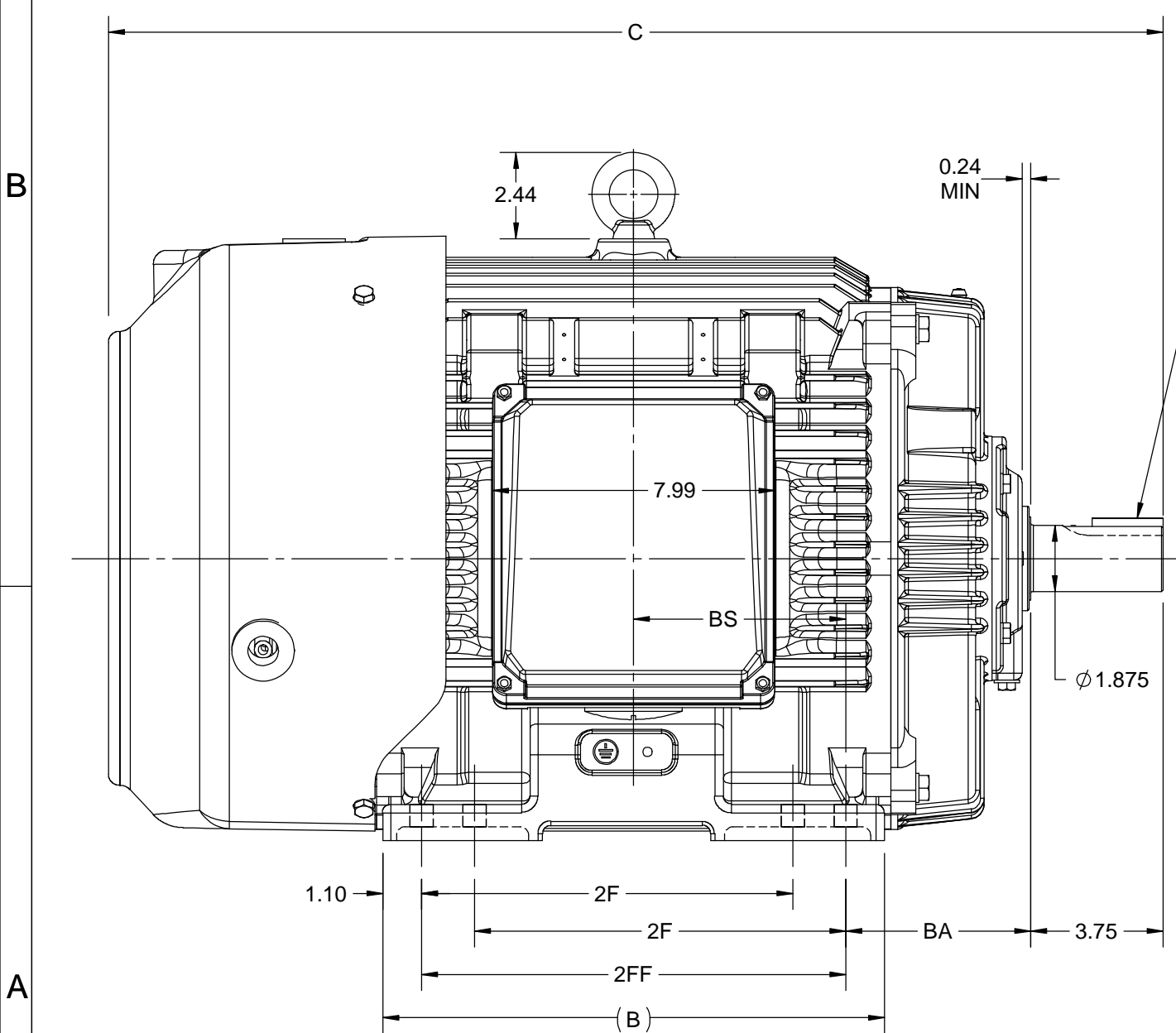
Output HP	<b>50 Hp</b>	Output KW	<b>37.0 kW</b>
Frequency	<b>60 Hz</b>	Voltage	<b>460 V</b>
Current	<b>58.5 A</b>	Speed	<b>1782 rpm</b>
Service Factor	<b>1.15</b>	Phase	<b>3</b>
Efficiency	<b>94.5 %</b>	Power Factor	<b>85</b>
Duty	<b>Continuous</b>	Insulation Class	<b>H</b>
Design Code	<b>B</b>	KVA Code	<b>G</b>
Frame	<b>326TS</b>	Enclosure	<b>Totally Enclosed Fan Cooled</b>
Thermal Protection	<b>No Protection</b>	Ambient Temperature	<b>40 °C</b>
Drive End Bearing Size	<b>6312</b>	Opp Drive End Bearing Size	<b>6212</b>
UL	<b>Listed</b>	CSA	<b>Y</b>
CE	<b>Y</b>	IP Code	<b>55</b>
Hazardous Location	<b>DIVISION 2 T2B</b>	Number of Speeds	<b>1</b>

### Technical Specifications

Electrical Type	<b>Squirrel Cage Inverter Rated</b>	Starting Method	<b>Line Or Inverter</b>
Poles	<b>4</b>	Rotation	<b>Reversible</b>
Resistance Main	<b>.127 Ohms</b>	Mounting	<b>Rigid Base</b>
Motor Orientation	<b>Horizontal</b>	Drive End Bearing	<b>Ball</b>
Opp Drive End Bearing	<b>Ball</b>	Frame Material	<b>Cast Iron</b>
Shaft Type	<b>TS</b>	Shaft Diameter	<b>1.875 in</b>
Assembly/Box Mounting	<b>F1/F2 CAPABLE</b>	Inverter Load	<b>CONSTANT 10:1/VARIABLE 20:1</b>
Connection Drawing	<b>EE7300</b>	Outline Drawing	<b>SS312940-200</b>

This is an uncontrolled document once printed or downloaded and is subject to change without notice. Date Created:11/29/2022

DASH NO.	4		3				2		1	
	B	C	E	2E	2F	2FF	BA	BS	MOUNTING	FRAME
100	12.71	28.35	6.25	12.50	---	10.50	5.25	5.25	F1 OR F2	324TS
200	14.21	29.85			10.50	12.00		6.00		324/326TS



DRAWING REVISION D	REVISION BY ASHOK N	REV DATE/© DATE 13/10/2020
ECO ECO-0194008	APPROVED BY GNK	DATE 13/10/2020
ECO DESCRIPTION <b>DRAWING UPDATED</b> COPYRIGHT (PER REVISION DATE) REGAL BELOIT AMERICA, INC. ALL RIGHTS RESERVED. PROPRIETARY AND CONFIDENTIAL INFORMATION - THIS DOCUMENT IS THE PROPERTY OF REGAL BELOIT AMERICA, INC. ("OWNER") AND CONTAINS OWNER'S PROPRIETARY INFORMATION. ANY PERSON, CORPORATION OR OTHER FIRM RECEIVING IT IS DEEMED, BY RECEIVING IT, TO AGREE THAT IT, AND/OR ANY PART OF IT, SHALL NOT BE DISCLOSED TO ANY PERSON, CORPORATION OR OTHER ENTITY, DUPLICATED, AND/OR USED, EXCEPT AS EXPRESSLY APPROVED IN WRITING IN ADVANCE BY OWNER. THIS DOCUMENT SHALL BE RETURNED TO OWNER UPON REQUEST. IT MAY BE SUBJECT TO CERTAIN RESTRICTIONS UNDER APPLICABLE EXPORT CONTROL LAWS AND REGULATIONS.		

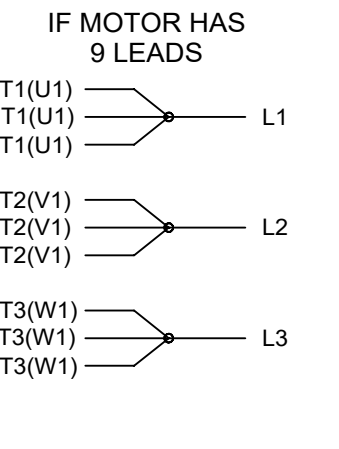
PRIMARY DIMENSIONS ARE INCH  
mm DIMENSIONS IN [BRACKETS]  
ARE FOR REFERENCE ONLY

DRAWN BY BISWA	<b>REGAL</b> ® Regal Beloit America, Inc.
DATE 24/10/2018	
APPROVED BY SBD	DESCRIPTION <b>OUTLINE</b> 324/326TS FR-NEMA-SD & IEEE841
DATE 24/10/2018	MATERIAL
REFERENCE	PROCESS/FINISH
THIRD ANGLE PROJECTION	SIZE <b>B</b>
	DRAWING NUMBER <b>SS312940</b>
	SHEET 1 OF 1

THREE PHASE - SINGLE VOLTAGE  
MOTOR - CONDUIT BOX @ 'A'

TERMINAL BLOCK WHEN SPECIFIED

TO REVERSE ROTATION:  
INTERCHANGE ANY TWO LINE  
LEAD CONNECTIONS



VIEW OF TERMINAL END

**OPTIONAL CORD CONNECTION**

L1	WHITE
L2	RED
L3	BLACK

DRAWING REVISION AC	REVISION BY BS	REV DATE/© DATE 26/07/2022
REQUEST NUMBER CR-0010402	APPROVED BY SN	DATE 26/07/2022
REQUEST NUMBER DESCRIPTION DRAWING UPDATED		
<small>COPYRIGHT (PER REVISION DATE) REGAL BELOIT AMERICA, INC. ALL RIGHTS RESERVED. PROPRIETARY AND CONFIDENTIAL INFORMATION - THIS DOCUMENT IS THE PROPERTY OF REGAL BELOIT AMERICA, INC. ("OWNER") AND CONTAINS OWNER'S PROPRIETARY INFORMATION. ANY PERSON, CORPORATION OR OTHER FIRM RECEIVING IT IS DEEMED, BY RECEIVING IT, TO AGREE THAT IT, AND/OR ANY PART OF IT, SHALL NOT BE DISCLOSED TO ANY PERSON, CORPORATION OR OTHER ENTITY, DUPLICATED, AND/OR USED, EXCEPT AS EXPRESSLY APPROVED IN WRITING IN ADVANCE BY OWNER. THIS DOCUMENT SHALL BE RETURNED TO OWNER UPON REQUEST. IT MAY BE SUBJECT TO CERTAIN RESTRICTIONS UNDER APPLICABLE EXPORT CONTROL LAWS AND REGULATIONS.</small>		

PRIMARY DIMENSIONS ARE INCH  
mm DIMENSIONS IN [BRACKETS]  
ARE FOR REFERENCE ONLY

DRAWN BY DA
DATE 03-26-1993
APPROVED BY TB
DATE 03-26-1993
REFERENCE
THIRD ANGLE PROJECTION

Regal Beloit America, Inc.		
		DESCRIPTION <b>CONNECTION DIAGRAM</b> EXTERNAL - SINGLE VOLTAGE - 3Ø MOTOR
MATERIAL	PROCESS/FINISH	
SIZE <b>A</b>	DRAWING NUMBER <b>EE7300</b>	SHEET 1 OF 1



DATA VOLTS: 460

**CERTIFICATION DATA SHEET**

CONN. DIAGRAM: EE7300  
 REFERENCE MODEL #: 326TSTFCD6536  
 OUTLINE: SS312940-326TS CAT #: E453A  
 WINDING: HE32004006 NONE 8 MOUNTING: F1/F2 CAPABLE

**TYPICAL MOTOR PERFORMANCE DATA**

HP	KW	SYNC RPM	FL RPM	FRAME	ENCLOSURE	TYPE	KVA CODE	DESIGN
50	37	1800	1780	326TS	TEFC	TFC	G	B

PH	HZ	VOLTS	AMPS	START TYPE	DUTY	INSL	S.F.	AMB (° C)	ELEV. (Ft)
3	60	460	58.5	LINE OR INVERTER	CONT	H	1.15	40	3300

F.L. EFF	94.5	3/4 LD EFF	94.5	1/2 LD EFF	94.1	GTD EFF	ELECT. TYPE
F.L. PF	85.0	3/4 LD PF	82.0	1/2 LD PF	73.8	94.1	SQ CAGE INV RATED

F.L. TORQUE	LR AMPS	L.R. TORQUE	B.D. TORQUE	F.L. RISE (° C)
148 LB-FT	362	275 LB-FT 186%	395 LB-FT 267%	65

SOUND PRESSURE	SOUND	ROTOR WK²	MAX. LOAD WK²	SAFE STALL TIME	STARTS/HOUR	APROX.
72 dBA	81 dBA	12.0 LB-FT²	325 LB-FT²	20 SEC.	2	730 LB.

**\*\*\* SUPPLEMENTAL INFORMATION \*\*\***

DE BRACKET TYPE	ODE BRACKET TYPE	MOUNT TYPE	MOTOR ORIENTATION	SEVERE DUTY	HAZARDOUS LOCATION	DRIP COVER	SCREENS	PAINT
STANDARD	STANDARD	RIGID	HORIZONTAL	PREMIUM SEVERE DUTY	DIVISION 2 T2B	NO	NONE	BLUE (EPOXY)

BEARINGS		GREASE	SHAFT TYPE	SPECIAL DE	SPECIAL ODE	SHAFT MATERIAL	FRAME MATERIAL
DE	ODE	POLYREX EM	TS	NONE	NONE	1045 HOT ROLLED (C-204)	CAST IRON
BALL	BALL						
6312	6212						

THERMOSTATS	PROTECTORS	WDG RTD's	BRG RTD's	THERMISTORS	CONTROL	SPACE HEATERS
NONE	NOT	NONE	NONE	NONE	FALSE	NA

R1 (ohms/ph)	R2 (ohms/ph)	X1 (ohms/ph)	X2 (ohms/ph)	Xm (ohms/ph)	VIBRATION (in/sec)
0.082	0.049	0.386	0.703	13.041	0.080

* N O T E S *	If Inverter equals NONE, contact factory for further information	
	INVERTER TORQUE: CONSTANT 2:1	
	INV. HP SPEED RANGE: NONE	
	ENCODER: NONE	NONE PPR

PREPARED BY: _____ DATE: 5/13/2020	BRAKE: NONE NONE NONE FT-LB: NA VOLTAGE: NONE HZ:
---------------------------------------	--

FORM: 3531 REV\_4 2/27/06  
 \*\* Subject to change without notice.

Data Sheet

Date: 5/6/2020  
 Customer: \_\_\_\_\_  
 Attention: \_\_\_\_\_  
 Submitted by: \_\_\_\_\_



326TSTFCD6536

Submittal

Data @ 460 V

Motor Load Data

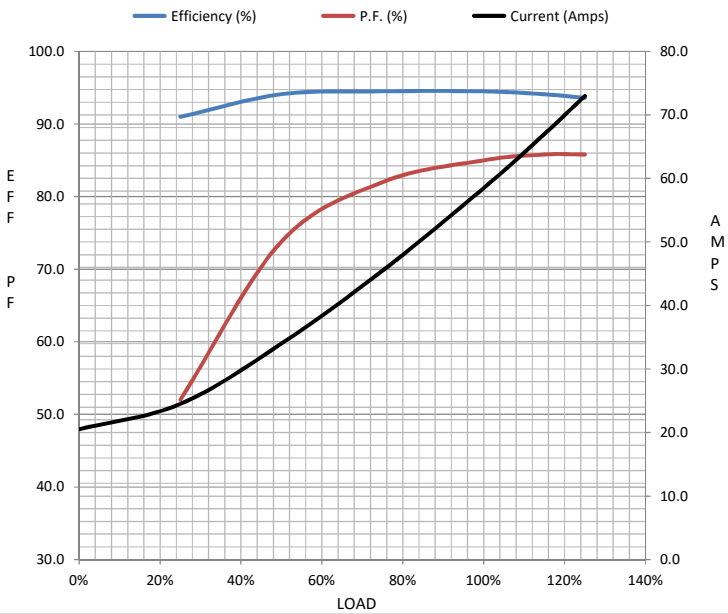
Load	0%	25%	50%	75%	100%	115%	125%	LR
Current (Amps)	20.5	24.5	34.0	45.5	58.5	67.0	73.0	362
Torque (ft-lb)	0.00	36.5	73.5	110	148	170	185	275
RPM	1800	1790	1786	1782	1780	1,775	1770	0
Efficiency (%)		91.0	94.1	94.5	94.5	94.1	93.6	
P.F. (%)	4.5	52.0	73.8	82.0	85.0	85.8	85.8	38.0

Motor Speed Data

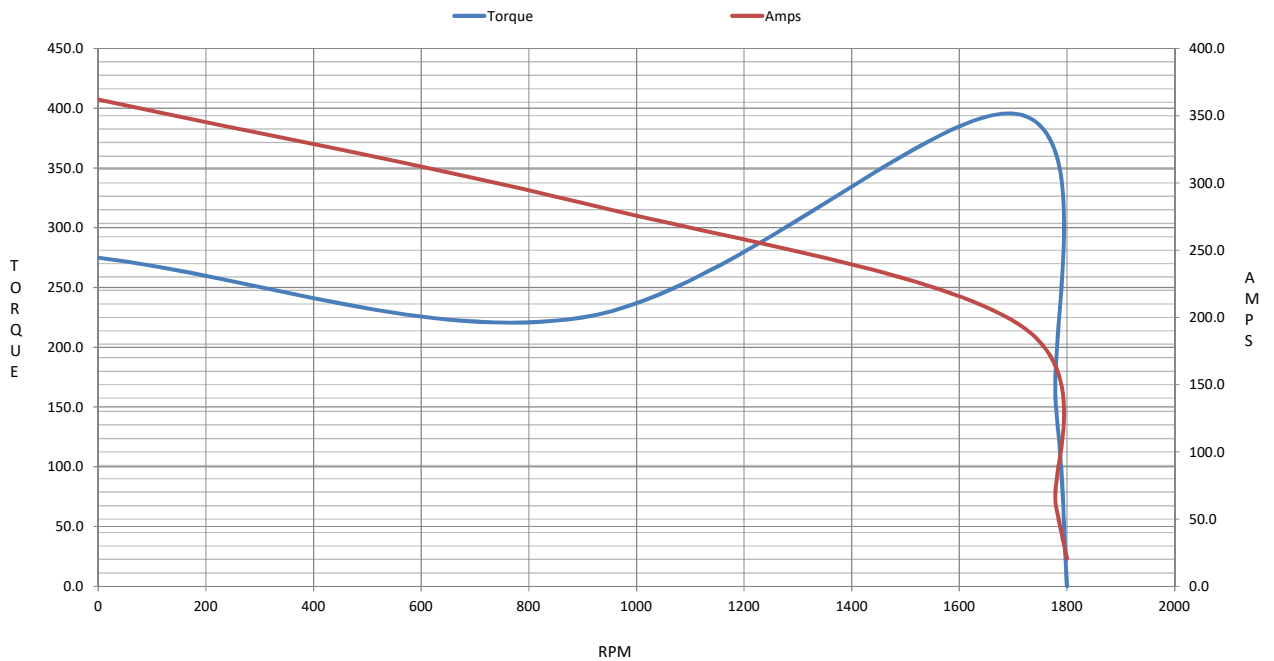
	LR	Pull-Up	BD	Rated	Idle
Speed (RPM)	0	900	1710	1780	1800
Current (Amps)	362	285	195	58.5	20.5
Torque (ft-lb)	275	225	395	148	0.00

Information Block

HP	50.0			
Sync. RPM	1800			
Frame	326			
Enclosure	TEFC			
Construction	TFC			
Voltage	460 V			
Frequency	60 Hz			
Design	B			
LR Code letter	G			
Service Factor	1.15			
Temp Rise @ FL	65 ° C			
Duty	CONT			
Ambient	40 ° C			
Elevation	3,300 feet			
Rotor/Shaft wk <sup>2</sup>	12.0 Lb-Ft <sup>2</sup>			
Ref Wdg	HE32004006 NONE			
Sound Pressure @ 1M	72 dBA			
VFD Rating	CONSTANT 2:1			
Outline Dwg	SS312940-326TS			
Conn. Diag	EE7300			
Additional Specifications:				
0				
0				
EQUIV CKT (OHMS / PHASE)				
R1	R2	X1	X2	Xm
0.0820	0.0490	0.3860	0.7030	13.0410



Speed -Torque Curve



## EC Declaration of Conformity

The undersigned representing  
the manufacturer:

Regal Beloit America  
100 East Randolph St.  
Wausau, WI 54401

and the authorized representative  
established within the Community:

Marathon Electric UK  
6F Thistleton Road Ind. Estate  
Market Overton  
Oakham, Rutland LE15 7PP UK

are committed to providing customers with products that comply with applicable regulations and international protocols to which they are subject, including the requirements of the European Parliament Directive on the Harmonization of the laws relating to electrical equipment designed for use within certain voltage limits (2014/35/EU).

Regal Beloit America declares that the following product(s), to which this declaration relates, are in conformity with the relevant sections of the EC standards listed below.

This statement supersedes any statements previously issued pertaining to the product(s) listed below and is subject to change without notice.

Model No : 326TSTFCD6536

(Model No. may contain prefix and/or suffix characters)

Catalog No : E453A

Rework No : N/A

Directives :

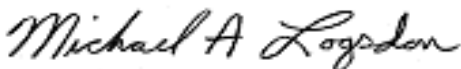
Low Voltage Directive 2014/35/EU

Harmonized Standards Used :

EN 60034-1: 2010 (IEC 60034-1: 2010)

EN 60034-5: 2001/A1:2007 (IEC 60034-5: 2000/A1:2006)

Authorized Representative:



Michael A. Logsdon  
Vice President, Technology

Authorized Representative in the Community:



Julian Clark  
Marketing Engineer

Created on 09/01/2022

**CE 22**