

# Product Information Packet

May 5, 2020

Data shown is for the current revision model #. Ensure your nameplate model # matches.

<b>Model Number:</b>	<b>5KS444CWL208</b>
<b>Catalog Number:</b>	<b>E549</b>
<b>Instruction Manual:</b>	GEI-M1049
<b>Connection Diagram:</b>	GEM2034E-FIG8
<b>Outline Drawing:</b>	358B6508AA

Accessory Connection Diagrams			
<b>Bearing Thermocouple:</b>	None	<b>Heater:</b>	None
<b>RTD:</b>	None	<b>Thermistor:</b>	None
<b>Thermostat:</b>	3027JE-2A	<b>Winding Thermocouple:</b>	None
<b>Bearing RTD:</b>	None		

Table of Contents	
Specification	01
Performance Characteristics	02
Outline Drawing	03
Connection Drawing(s)	04

**Marks:**

<b>MODEL NUMBER:</b>	<b>5KS444CWL208</b>	<b>Estimated Weight:</b>	2081 Lbs
<b>Outline Drawing:</b>	358B6508AA	<b>Time Rating:</b>	CONT
<b>Connection Diagram:</b>	GEM2034E-FIG8	<b>Enclosure:</b>	TEFC
<b>Instruction Book:</b>	GEI-M1049	<b>Encl Construction:</b>	XP
<b>Design Code:</b>	NA	<b>Ambient Max(°C):</b>	40
<b>Type:</b>	KS	<b>Alt Ambient Max(°C):</b>	55
<b>Frame:</b>	444T	<b>Insulation Class:</b>	F
<b>Phases:</b>	3	<b>NEMA Design:</b>	B
<b>Poles:</b>	4	<b>Nominal Efficiency:</b>	95.4 %
<b>Output Power:</b>	125HP 90KW	<b>Guaranteed Efficiency:</b>	94.5 %
<b>RPM:</b>	1785	<b>3/4 Load Efficiency:</b>	95.4 %
<b>Voltage:</b>	460	<b>KVA Code:</b>	G
<b>Hertz:</b>	60	<b>Max KVAR:</b>	25.1
<b>Amps - FL:</b>	137.5	<b>Power Factor:</b>	86.1%
<b>Service Factor:</b>	1.15	<b>Bearing - DE:</b>	6318-C3
<b>Alt Service Factor:</b>	1.0	<b>Bearing - ODE:</b>	6314-C3

**Enclosure is Totally Enclosed Fan-Cooled**

---

**Stamped Nameplate Notes:****Additional Information:**

THERMOSTAT FOR: TRIP 145+/-5 DEG C  
 THERMOSTAT LEADS: 3 NC TO TERMINATE IN MAIN CB  
 ROTATION:CCW VIEWED FROM ODE  
 CLASS /GAS GROUP:CL I GR C and D, CLASS II GR F and G  
 CBOX SIZE:901 CU INCH  
 INVERTER DUTY PER NEMA MG1 PART 31  
 INVERTER RATED PWM 10:1 VARIABLE TORQUE, 5:1 CONSTANT TORQUE, 1.0 SF  
 UL CERTIFICATION SUITABLE FOR INSTALLATION IN –  
 - THE UNITED STATES, NIGERIA AND KUWAIT

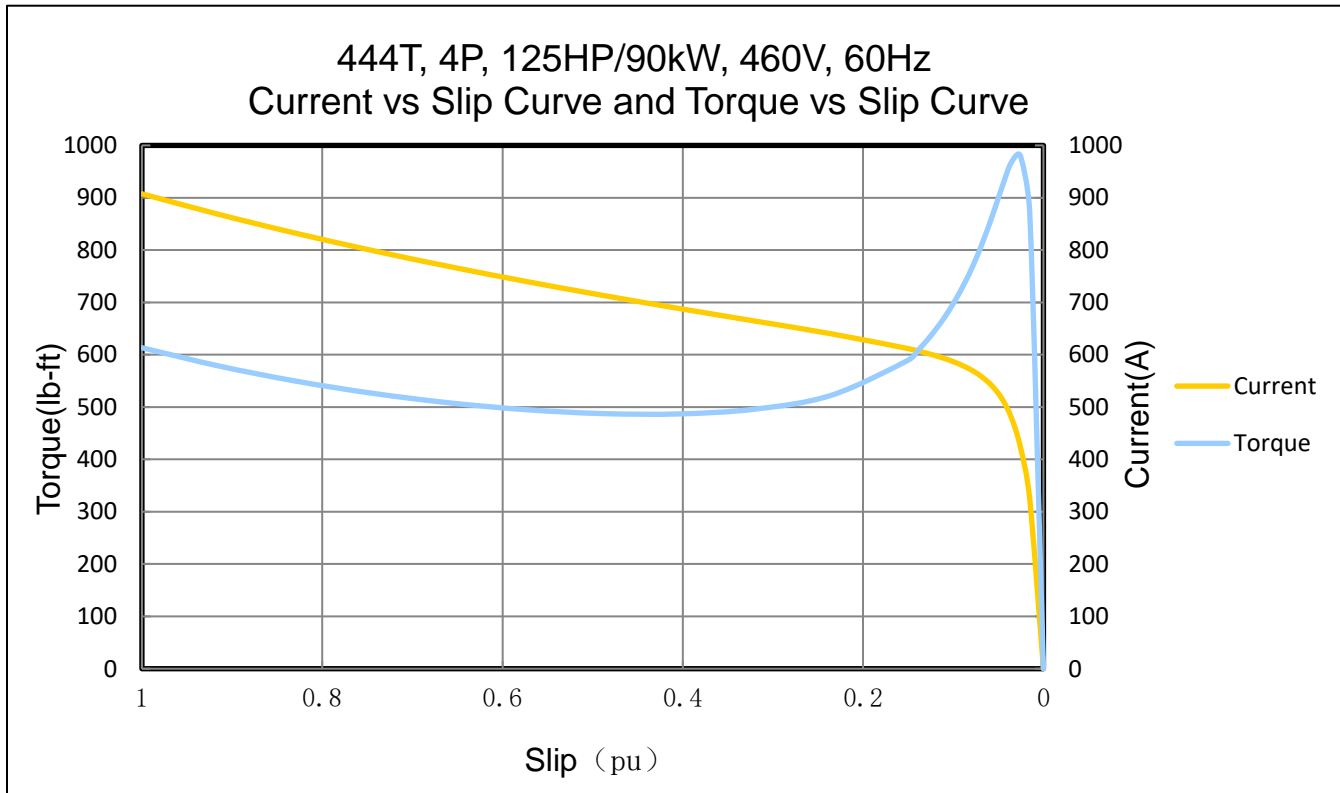
Performance Characteristic:

LOAD %	125.0	115.0	100.0	75.0	50.0	25.0	0.0
% EFF	95.53	95.63	95.40	95.40	95.40	93.68	0.00
% PF	89.0	89.2	86.1	84.8	82.7	64.6	22.8
AMPS(460V)	166.1	152.2	137.5	100.8	71.5	46.6	18.3

TORQUE(FL) LB-FT      356.6    TORQUE(LR)%FL      172.0    TORQUE(BD)%FL      275.0  
 AMPS(LR 460V)      907.5    PF AT START      0.25%

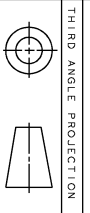
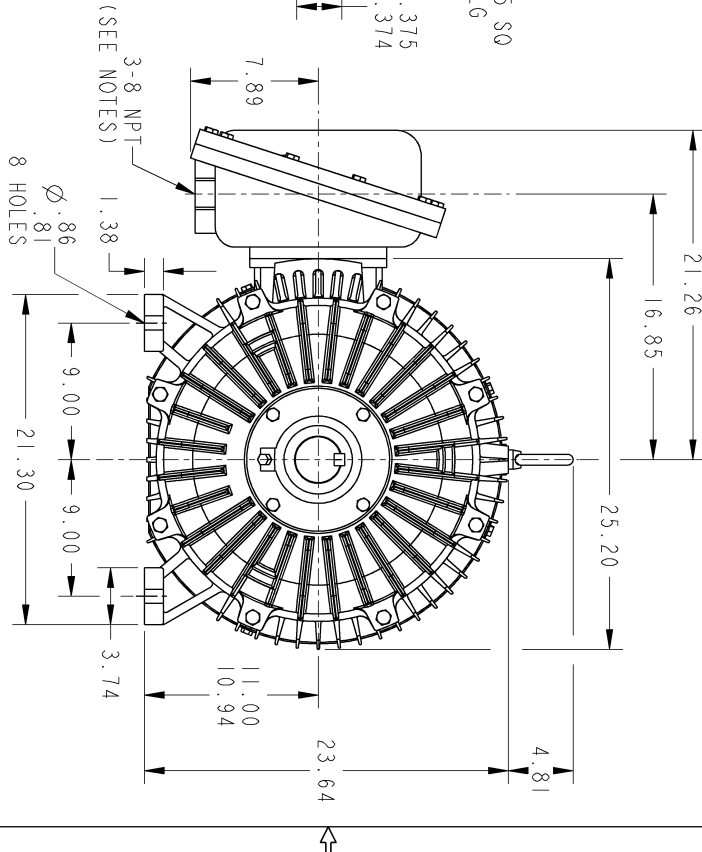
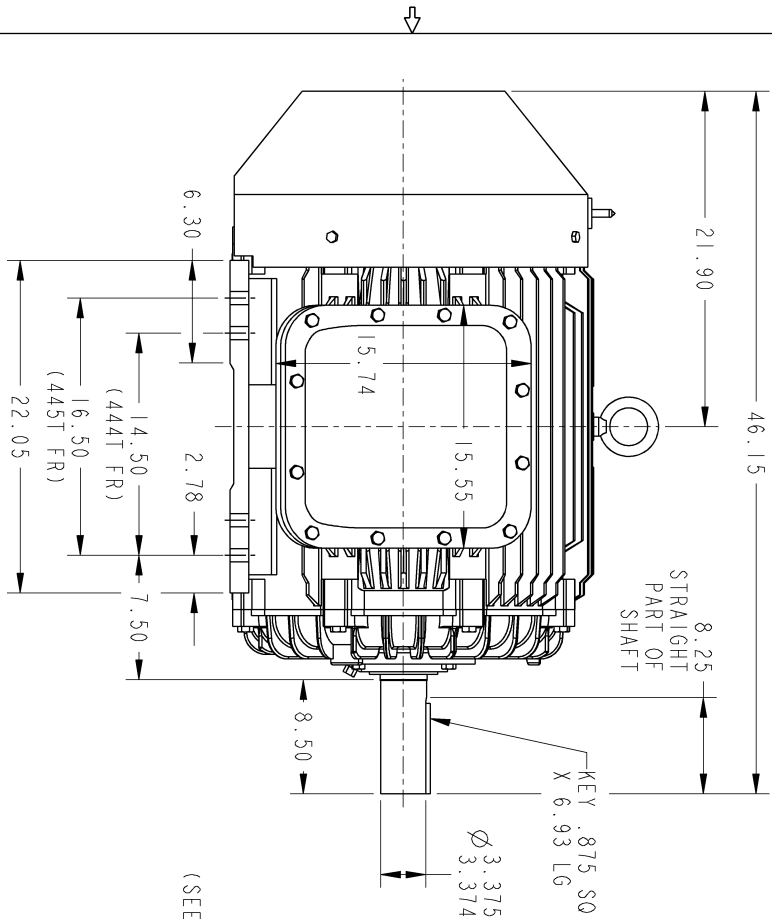
Other Useful Information for Application:

Rotor Inertia: Lb-Ft <sup>2</sup> (Kg-m <sup>2</sup> ):	56.95(2.4)
Max load inertia: Lb-Ft <sup>2</sup> (Kg-m <sup>2</sup> ):	542(22.84)
Load Type:	Square Torque/Speed Characteristic
Voltage:	100%
Number of starts per hour:	2 Cold or 1 Hot
Acceleration Time with maximum inertia (sec):	6.7
Safe stall time (sec): Cold/Hot	75/40



Marks:

- NOTES:
1. CONDUIT BOX IS SUITABLE FOR UP, DOWN OR EITHER SIDE ENTRY.
  2. FL ASSEMBLY AS SHOWN.
  3. ALL DIMENSIONS ARE IN INCHES.



PROPRIETARY INFORMATION  
 © Copyright 2018 Wabag Electric America LLC. ALL RIGHTS RESERVED.  
 All rights reserved. This document and the information it contains is the property of the Wabag Electric America LLC and/or its affiliates. It has been provided solely for the use of the recipient for the specific project identified in the drawing. No other use, reproduction, copying, or distribution is permitted without the express written consent of the Wabag Electric America LLC.

REV.	DESCRIPTION	DATE	APPROVED
1	ISSAC #17-0780	10/24/17	SRI KANTH
2	ISSAC #18-0869	01/07/19	PRASHANTH
3	ISSAC #19-0358	04/22/19	SAHID

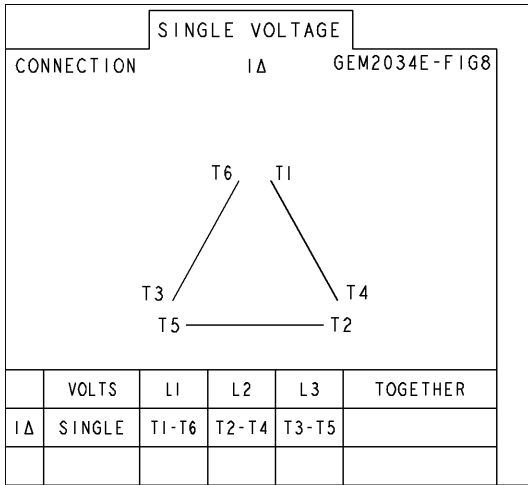
SIGNATURES	DATE
MODEL: MAGARAJ	06/22/17
DRAWN: SRI KANTH	06/22/17
CHECKED: SRI KANTH	06/22/17
ENG'G: SRI KANTH	06/22/17
QUALITY: SRI KANTH	06/22/17
ISSUED: SRI KANTH	06/22/17

GE INDUSTRIAL MOTORS a wolong company	TITLE 444T/445T TERC EXPLOSION PROOF
STRET DRAWING	901 CU. IN. C/BOX
SCALE: NTS	REF. No.:
358B6508AA	REV. 003
SHEET 1 OF 1	

Marks:

**Connection Diagram**  
**GEM2034E-FIG8**



**Thermostat Connection**  
**3027JE-2A**

