

PRODUCT INFORMATION PACKET

Model No: 445TTGN6597

Catalog No: E583

Explosion Proof Motor, 125 HP, 3 Ph, 60 Hz, 460 V, 1200 RPM, 445T Frame, EPFC



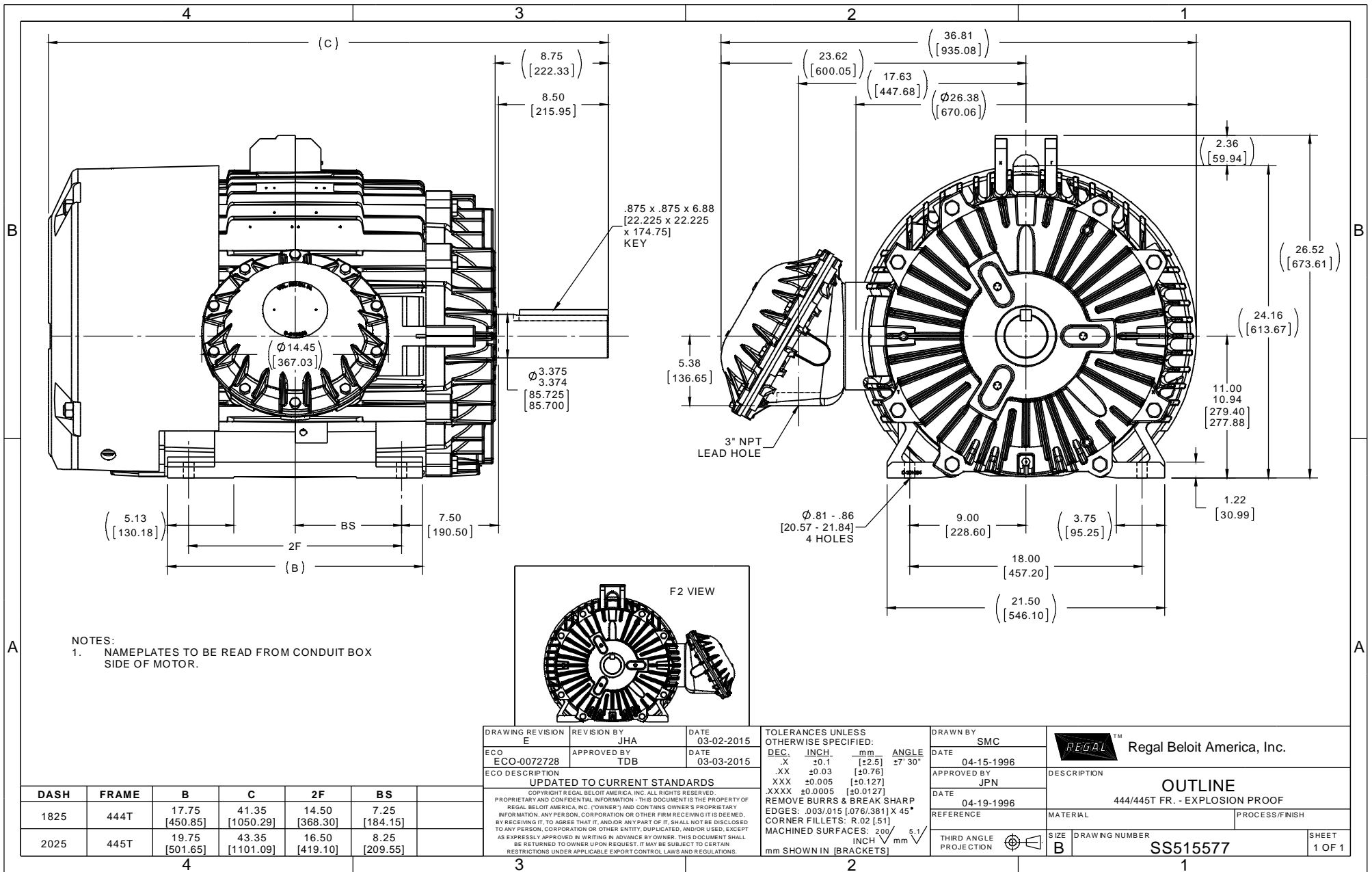
Regal and are trademarks of Regal Rexnord Corporation or one of its affiliated companies.
©2022 Regal Rexnord Corporation, All Rights Reserved. MC017097E

Nameplate Specifications

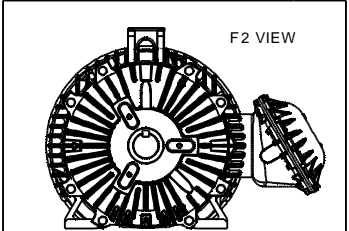
Output HP	125 Hp	Output KW	93.0 kW
Frequency	60 Hz	Voltage	460 V
Current	155.0 A	Speed	1185 rpm
Service Factor	1.15	Phase	3
Efficiency	95 %	Power Factor	82
Duty	Continuous	Insulation Class	F
Design Code	B	KVA Code	G
Frame	445T	Enclosure	Explosion Proof Fan cooled
Thermal Protection	Thermostat	Ambient Temperature	40 °C
Drive End Bearing Size	NU318	Opp Drive End Bearing Size	6316
UL	UL Listed And CSA Certified	CSA	Y
CE	N	IP Code	54
Hazardous Location	EXP PROOF CL I GR C&D CL II GR F&G T3B	Number of Speeds	1

Technical Specifications

Electrical Type	Squirrel Cage Induction Run	Starting Method	Across The Line
Poles	6	Rotation	Reversible
Resistance Main	.042 Ohms	Mounting	Rigid Base
Motor Orientation	Horizontal	Drive End Bearing	Roller
Opp Drive End Bearing	Ball	Frame Material	Cast Iron
Shaft Type	T	Overall Length	43.35 in
Frame Length	20.25 in	Shaft Diameter	3.375 in
Shaft Extension	8.75 in	Assembly/Box Mounting	F1 ONLY
Outline Drawing	B-SS515577-2025	Connection Drawing	A-EE7300S



NOTES:
1. NAMEPLATES TO BE READ FROM CONDUIT BOX SIDE OF MOTOR.



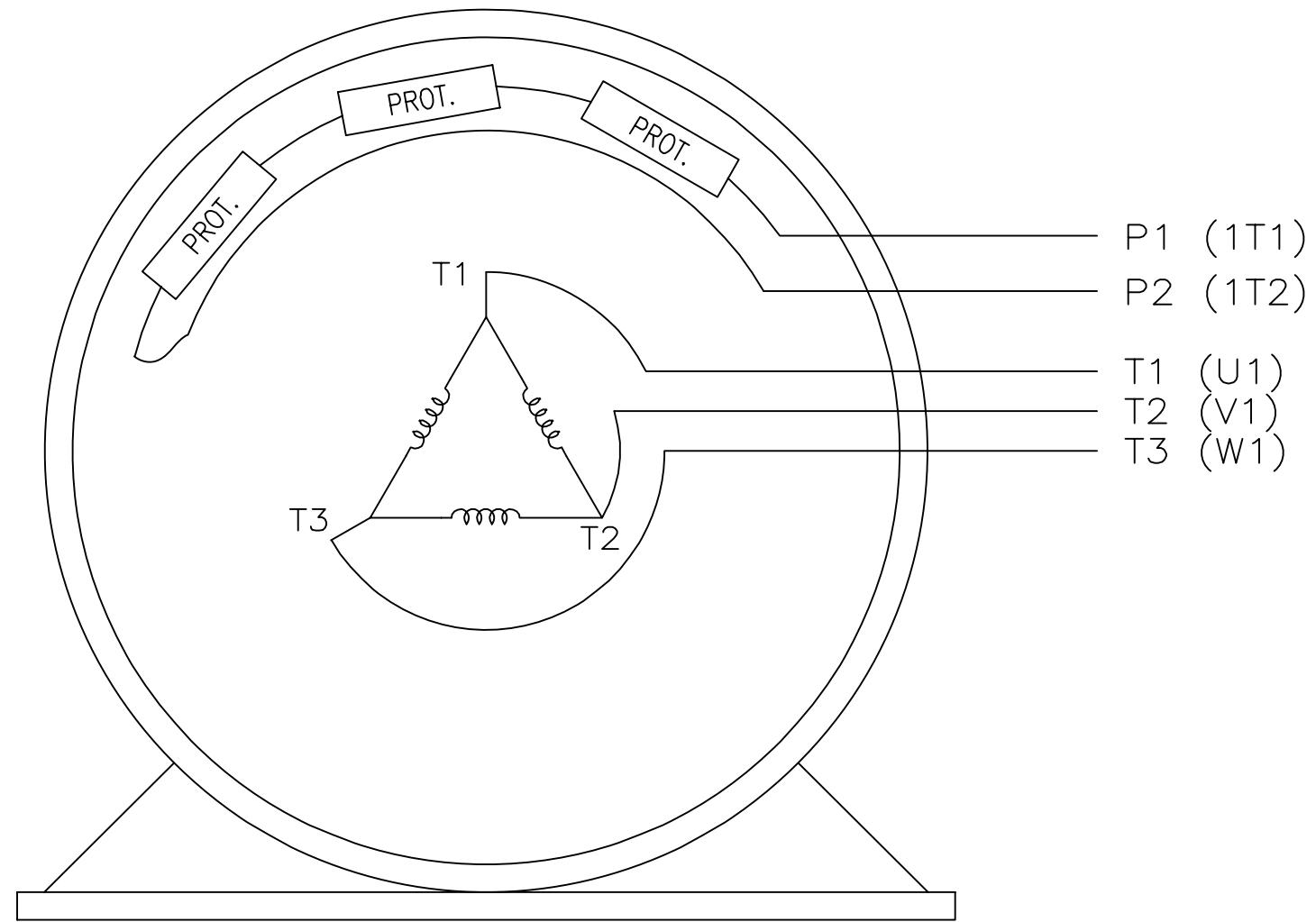
DRAWING REVISION E		REVISION BY JHA		DATE 03-02-2015		TOLERANCES UNLESS OTHERWISE SPECIFIED:		DRAWN BY SMC		Regal Beloit America, Inc.			
ECO ECO-0072728		APPROVED BY TDB		DATE 03-03-2015		DEC.	INCH.	mm	ANGLE			DATE 04-15-1996	
ECO DESCRIPTION						.X	±0.1	[±2.5]	27° 30'	APPROVED BY JPN	DESCRIPTION		
UPDATED TO CURRENT STANDARDS COPYRIGHT © REGAL BELOIT AMERICA, INC. ALL RIGHTS RESERVED. PROPRIETARY AND CONFIDENTIAL INFORMATION. THIS DOCUMENT IS THE PROPERTY OF REGAL BELOIT AMERICA, INC. (OWNER) AND CONTAINS OWNER'S PROPRIETARY INFORMATION. ANY PERSON, CORPORATION OR OTHER FIRM RECEIVING IT IS DEEMED, BY RECEIVING IT, TO AGREE THAT IT, AND/OR ANY PART OF IT, SHALL NOT BE DISCLOSED TO ANY PERSON, CORPORATION OR OTHER ENTITY, DUPLICATED, AND/OR USED, EXCEPT AS EXPRESSLY APPROVED IN WRITING IN ADVANCE BY OWNER. THIS DOCUMENT SHALL BE RETURNED TO OWNER UPON REQUEST. IT MAY BE SUBJECT TO CERTAIN RESTRICTIONS UNDER APPLICABLE EXPORT CONTROL LAWS AND REGULATIONS.						.XX	±0.03	[±0.76]		DATE 04-19-1996	OUTLINE 444/445T FR. - EXPLOSION PROOF		
						.XXX	±0.005	[±0.127]		REFERENCE	MATERIAL	PROCESS/FINISH	
						XXXX	±0.0005	[±0.0127]		THIRD ANGLE PROJECTION	SIZE B	DRAWING NUMBER SS515577	SHEET 1 OF 1
						REMOVE BURRS & BREAK SHARP EDGES: .003/.015 [.076/.381] X 45°							
						CORNER FILLETS: R.02 [.51]							
						MACHINED SURFACES: 200 √ INCH mm 5.1							
						mm SHOWN IN [BRACKETS]							

DASH	FRAME	B	C	2F	BS
1825	444T	17.75 [450.85]	41.35 [1050.29]	14.50 [368.30]	7.25 [184.15]
2025	445T	19.75 [501.65]	43.35 [1101.09]	16.50 [419.10]	8.25 [209.55]

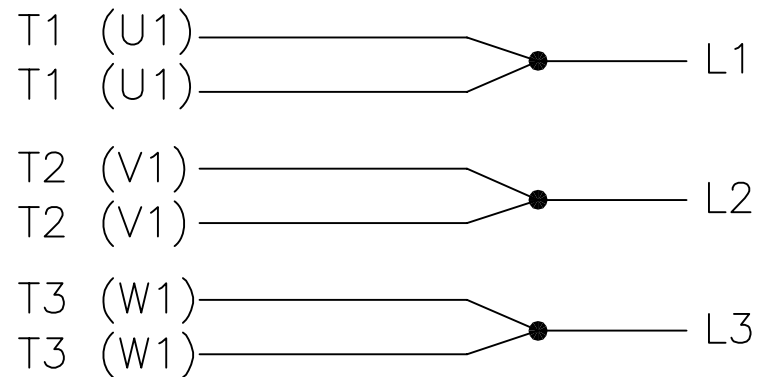
EE7300S

THREE PHASE – SINGLE VOLTAGE MOTOR

TO REVERSE ROTATION:
INTERCHANGE ANY TWO LINE
LEAD CONNECTIONS



IF MOTOR HAS MULTIPLE
T'S PER LEAD CONNECT
TOGETHER LIKE T'S



A-9806 DECAL

VIEW OF TERMINAL END

NO.	REVISION	BY & DATE	CHK	TOLERANCES UNLESS SPECIFIED			DRAWN	PAGE	OF	REV.		
				DEC.	INCHES							
F	UPDATED TITLE BLOCK	HV 02-27-2014	EWB	.X	±	-	KL	12-15-1999				
3	REMOVED "N.C." FROM PROT.'S MU61770	JJB 08-02-2010		.XX	±	-	CHK	DJK 12-15-1999				
2	ADDED IEC MARKINGS MU61770	KL 09-16-2004	EAB	.XXX	±	-	APPD	DJK 12-15-1999				
1	NEW DRAWING	KL 12-16-1999		.XXXX	±	-			SCALE	1=1		
									REF			
									FMF			
									PREV			
THIS DRAWING IN DESIGN AND DETAIL IS OUR PROPERTY AND MUST NOT BE USED EXCEPT IN CONNECTION WITH OUR WORK ALL RIGHTS OF DESIGN AND INVENTION ARE RESERVED THIS IS AN ELECTRONICALLY GENERATED DOCUMENT – DO NOT SCALE THIS PRINT				RFP	CAD FILE ee7300s			SIZE	DRAWING NO.	PAGE	OF	REV.
				DIST	WA-LB-SB			A	EE7300S			F



CERTIFICATION DATA SHEET

Model#: 445TTGN6597 AD **WINDING#:** T445693 NONE 1
CONN. DIAGRAM: A-EE7300S **ASSEMBLY:** F1 ONLY
OUTLINE: B-SS515577-2025

TYPICAL MOTOR PERFORMANCE DATA

HP	KW	SYNC. RPM	F.L. RPM	FRAME	ENCLOSURE	KVA CODE	DESIGN
125	93	1200	1185	445T	EPFC	G	B

PH	Hz	VOLTS	FL AMPS	START TYPE	DUTY	INSL	S.F	AMB°C	ELEVATION
3	60	460	155	ACROSS THE LINE	CONTINUOUS	F1	1.15	40	3300

FULL LOAD EFF: 95	3/4 LOAD EFF: 95	1/2 LOAD EFF: 94.5	GTD. EFF	ELEC. TYPE	NO LOAD AMPS
FULL LOAD PF: 82	3/4 LOAD PF: 79	1/2 LOAD PF: 71	94.5	SQ CAGE IND RUN	55

F.L. TORQUE	LOCKED ROTOR AMPS	L.R. TORQUE	B.D. TORQUE	F.L. RISE°C
553 LB-FT	825	775 LB-FT 140	1250 LB-FT 226	78

SOUND PRESSURE @ 3 FT.	SOUND POWER	ROTOR WK^2	MAX. WK^2	SAFE STALL TIME	STARTS /HOUR	APPROX. MOTOR WGT
72 dBA	82 dBA	61 LB-FT^2	2250 LB-FT^2	25 SEC.	2	2050 LBS.

***** SUPPLEMENTAL INFORMATION *****

DE BRACKET TYPE	ODE BRACKET TYPE	MOUNT TYPE	ORIENTATION	SEVERE DUTY	HAZARDOUS LOCATION	DRIP COVER	SCREENS	PAINT
STANDARD	STANDARD	RIGID	HORIZONTAL	PREMIUM SEVERE DUTY	EXP PROOF CL I GR C&D CL II GR F&G T3B	FALSE	NONE	BLUE (EPOXY)

BEARINGS		GREASE	SHAFT TYPE	SPECIAL DE	SPECIAL ODE	SHAFT MATERIAL	FRAME MATERIAL
DE	OPE						
ROLLER	BALL	POLYREX EM	T	NONE	NONE	1045 HOT ROLLED (C-204)	CAST IRON
NU318	6316						

THERMO-PROTECTORS				THERMISTORS	CONTROL	SPACE /n HEATERS
THERMOSTATS	PROTECTORS	WDG RTDs	BRG RTDs			
TSTATS (N/C)	NOT	NONE	NONE	NONE	FALSE	NONE VOLTS

If Inverter equals NONE, contact factory for further information

INVERTER TORQUE: NONE
INV. HP SPEED RANGE: NONE
ENCODER: NONE
NONE NONE
NONE NONE PPR
BRAKE: NONE NONE
NONE P/N NONE
NONE NONE
- FT-LB NONE V NONE Hz

*
N
O
T
E
S
*

DATE: 06/21/2017 06:12:45 AM
 FORM 3531 REV.3 02/07/99
 ** Subject to change without notice.

Data Sheet

Date: 29-06-2017
 Customer: _____
 Attention: _____
 Submitted by: FAREEDA DUDEKULA



445TTGN6597

Submittal

Data @ 460 V

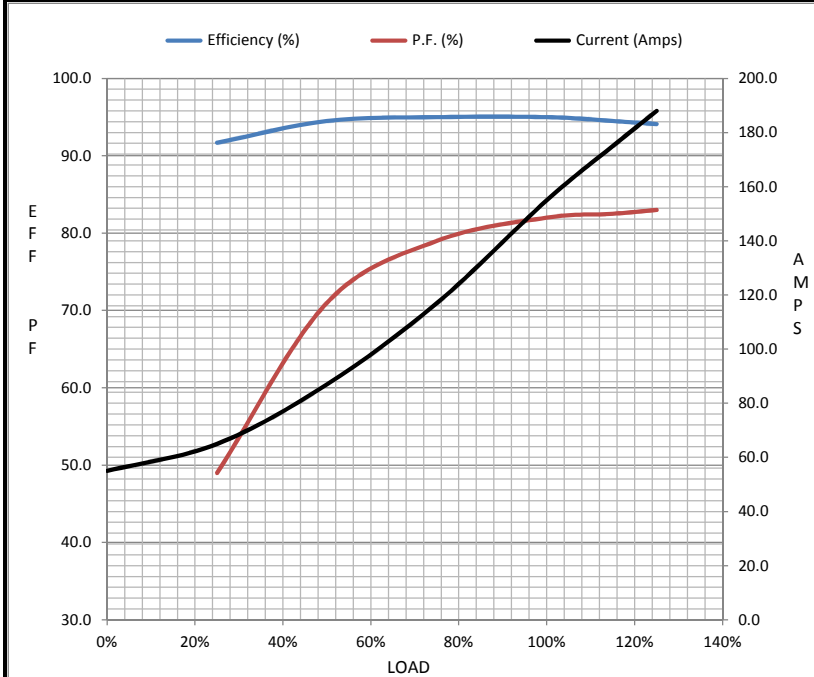
Motor Load Data

Load	0%	25%	50%	75%	100%	115%	125%	LR
Current (Amps)	55.0	65.0	87.0	117	155	175	188	825
Torque (ft-lb)	0.00	137	275	414	553	637	693	775
RPM	1200	1196	1194	1190	1185	1,182	1180	0
Efficiency (%)		91.7	94.5	95.0	95.0	94.5	94.1	
P.F. (%)	4.0	49.0	71.0	79.0	82.0	82.5	83.0	30.0

Motor Speed Data

	LR	Pull-Up	BD	Rated	Idle
Speed (RPM)	0	600	1150	1185	1200
Current (Amps)	825	750	500	155	55.0
Torque (ft-lb)	775	725	1,250	553	0.00

Information Block				
HP	125.0			
Sync. RPM	1200			
Frame	445			
Enclosure	TEFC			
Construction	TFN			
Voltage	460 V			
Frequency	60 Hz			
Design	B			
LR Code letter	G			
Service Factor	1.15			
Temp Rise @ FL	80 ° C			
Duty	CONT			
Ambient	40 ° C			
Elevation	1,000 feet			
Rotor/Shaft wk ²	61.0 Lb-Ft ²			
Ref Wdg	T445693 NONE			
Sound Pressure @ 1M	72 dBA			
VFD Rating	NONE			
Outline Dwg	B-SS515577-2025			
Conn. Diag	A-EE7300S			
Additional Specifications:				
0				
365THFS8036				
EQUIV CKT (OHMS / PHASE)				
R1	R2	X1	X2	Xm
0.0250	0.0180	0.2040	0.2410	3.8590



Speed - Torque Curve

