

PRODUCT INFORMATION PACKET

Model No: 184TTTCD6576

Catalog No: E633A

XRI®-SD Severe Duty Motor, 2 HP, 3 Ph, 60 Hz, 460 V, 1200 RPM, 184T Frame, TENV



Regal and Marathon are trademarks of Regal Rexnord Corporation or one of its affiliated companies.

©2022 Regal Rexnord Corporation, All Rights Reserved. MC017097E

Nameplate Specifications

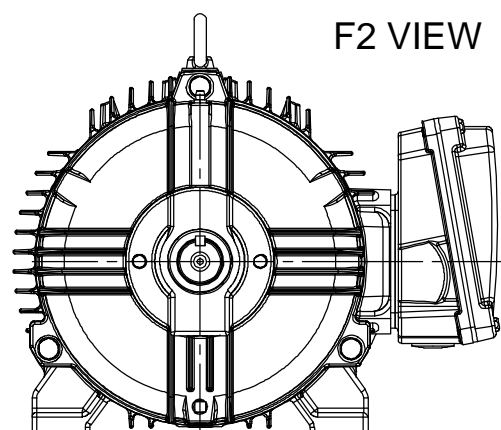
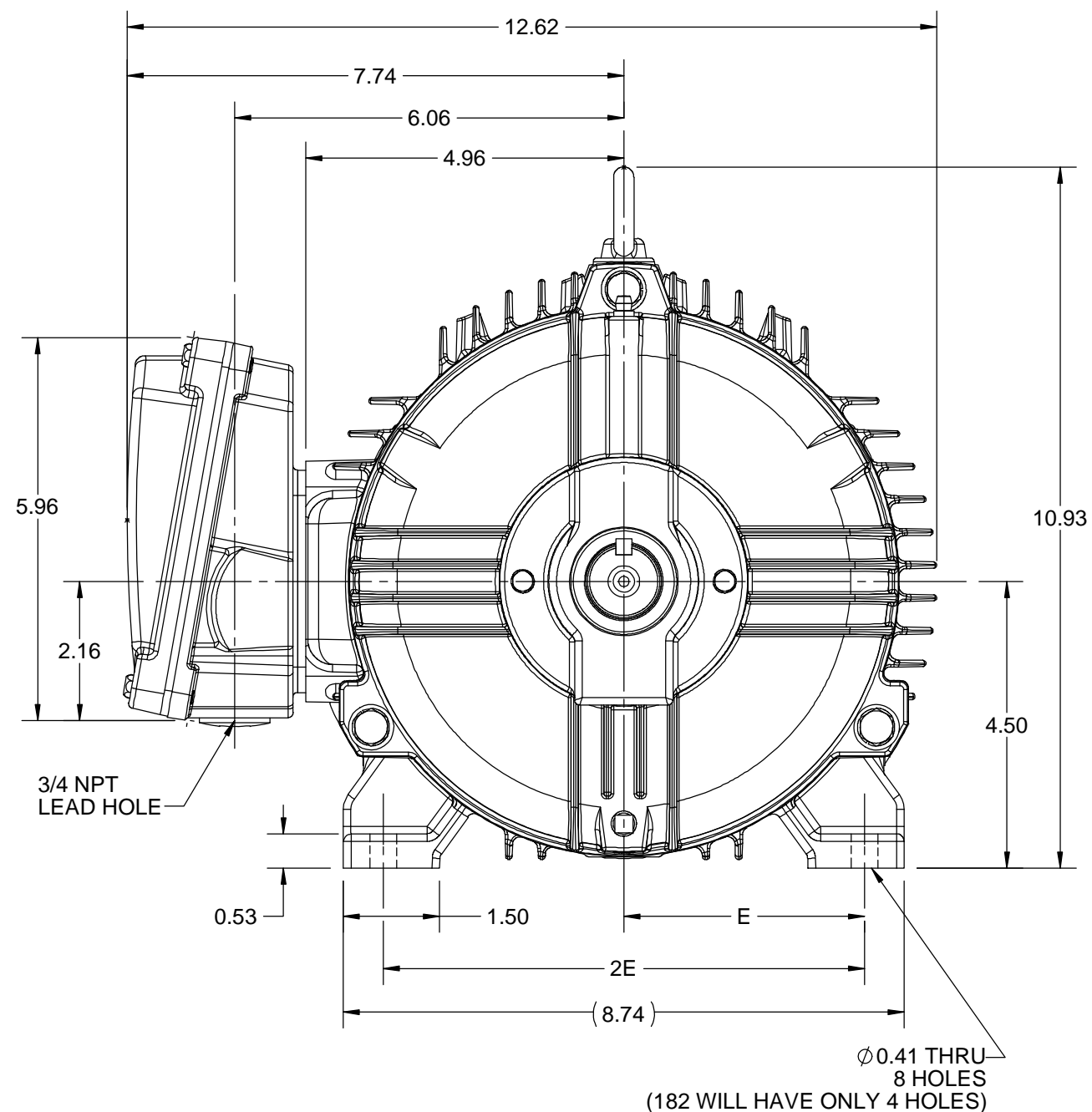
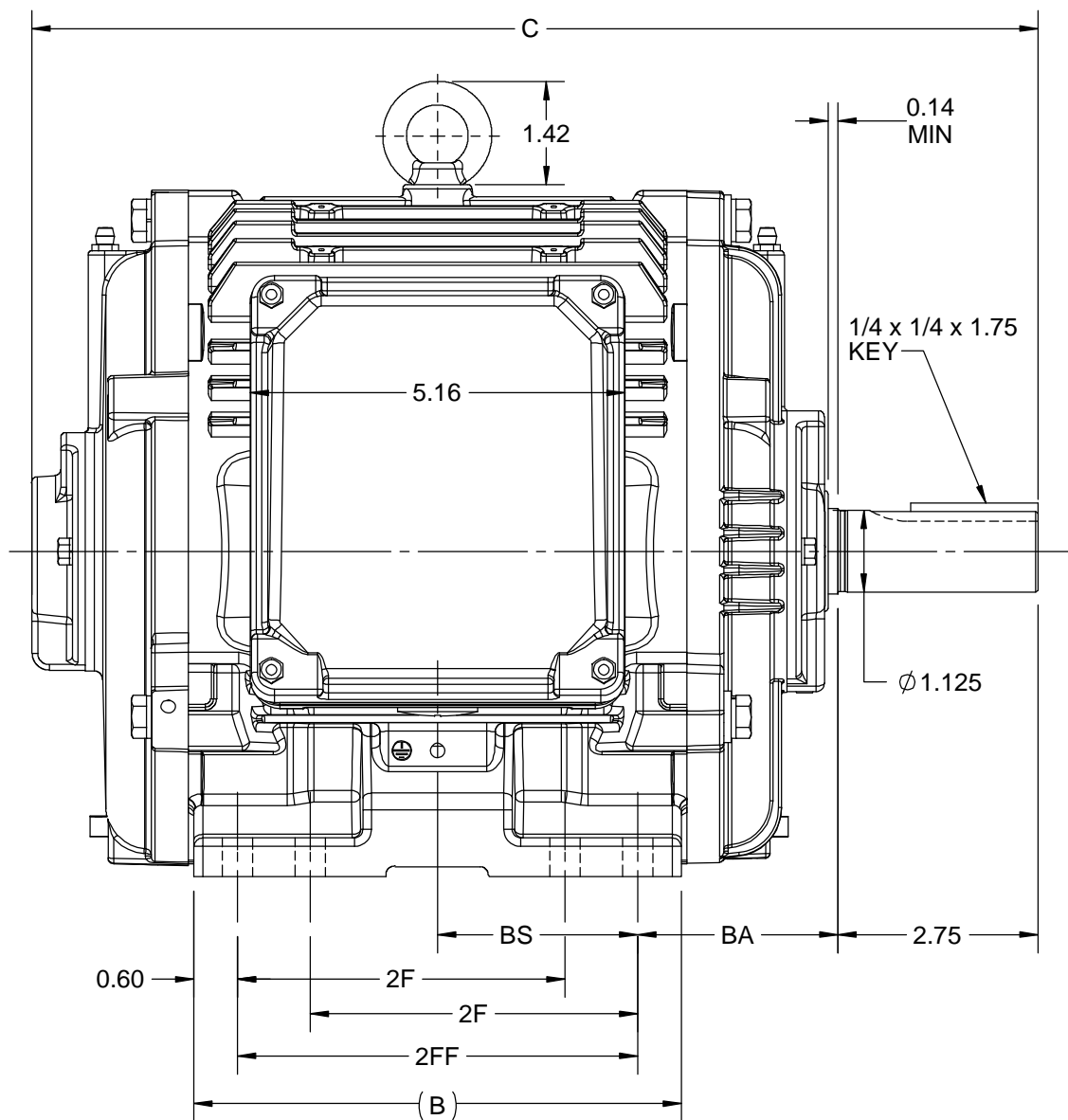
Output HP	2 Hp	Output KW	1.5 kW
Frequency	60 Hz	Voltage	460 V
Current	3.0 A	Speed	1175 rpm
Service Factor	1.15	Phase	3
Efficiency	88.5 %	Power Factor	70
Duty	Continuous	Insulation Class	H
Design Code	B	KVA Code	L
Frame	184T	Enclosure	Totally Enclosed Non Ventilated
Thermal Protection	No Protection	Ambient Temperature	40 °C
Drive End Bearing Size	6206	Opp Drive End Bearing Size	6205
UL	Listed	CSA	Y
CE	Y	IP Code	55
Hazardous Location	DIVISION 2 T2B	Number of Speeds	1

Technical Specifications

Electrical Type	Squirrel Cage Inverter Rated	Starting Method	Line Or Inverter
Poles	6	Rotation	Reversible
Resistance Main	5.35 Ohms	Mounting	Rigid Base
Motor Orientation	Horizontal	Drive End Bearing	Ball
Opp Drive End Bearing	Ball	Frame Material	Cast Iron
Shaft Type	T	Shaft Diameter	1.125 in
Assembly/Box Mounting	F1/F2 CAPABLE	Inverter Load	CONSTANT 10:1/VARIABLE 10:1
Connection Drawing	EE7300	Outline Drawing	SS600211-200

This is an uncontrolled document once printed or downloaded and is subject to change without notice. Date Created:11/29/2022

DASH NO.	4				3				MOUNTING	FRAME
	B	C	E	2E	2F	2FF	BA	BS		
100	5.67	12.82	3.75	7.50	-	4.50	2.75	2.35	F1 OR F2	182T
200	6.69	13.82			4.50	5.50		2.75	F1 OR F2	182/184T



DRAWING REVISION B	REVISION BY BISWA	REV DATE/© DATE 06/10/2020
ECO ECO-0194180	APPROVED BY GNK	DATE 06/10/2020
ECO DESCRIPTION DRAWING UPDATED.		
<small>COPYRIGHT (PER REVISION DATE) REGAL BELOIT AMERICA, INC. ALL RIGHTS RESERVED. PROPRIETARY AND CONFIDENTIAL INFORMATION - THIS DOCUMENT IS THE PROPERTY OF REGAL BELOIT AMERICA, INC. ("OWNER") AND CONTAINS OWNER'S PROPRIETARY INFORMATION. ANY PERSON, CORPORATION OR OTHER FIRM RECEIVING IT IS DEEMED, BY RECEIVING IT, TO AGREE THAT IT, AND/OR ANY PART OF IT, SHALL NOT BE DISCLOSED TO ANY PERSON, CORPORATION OR OTHER ENTITY, DUPLICATED, AND/OR USED, EXCEPT AS EXPRESSLY APPROVED IN WRITING IN ADVANCE BY OWNER. THIS DOCUMENT SHALL BE RETURNED TO OWNER UPON REQUEST. IT MAY BE SUBJECT TO CERTAIN RESTRICTIONS UNDER APPLICABLE EXPORT CONTROL LAWS AND REGULATIONS.</small>		

PRIMARY DIMENSIONS ARE INCH
mm DIMENSIONS IN [BRACKETS]
ARE FOR REFERENCE ONLY

DRAWN BY BISWA	REGAL ® Regal Beloit America, Inc.
DATE 06/10/2020	
APPROVED BY SBD	DESCRIPTION OUTLINE 182/184T FR-NEMA-TEAO/TENV
DATE 06/10/2020	MATERIAL
REFERENCE	PROCESS/FINISH
THIRD ANGLE PROJECTION	SIZE B
	DRAWING NUMBER SS600211
	SHEET 1 OF 1

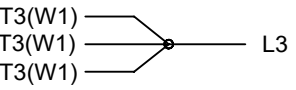
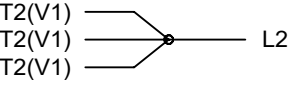
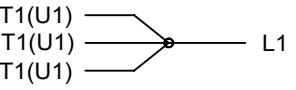
THREE PHASE - SINGLE VOLTAGE
MOTOR - CONDUIT BOX @ 'A'

TERMINAL BLOCK WHEN SPECIFIED

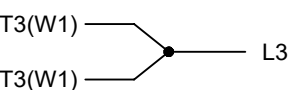
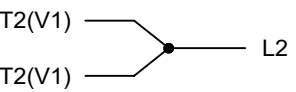
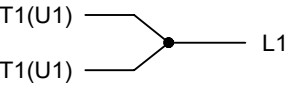
TO REVERSE ROTATION:
INTERCHANGE ANY TWO LINE
LEAD CONNECTIONS



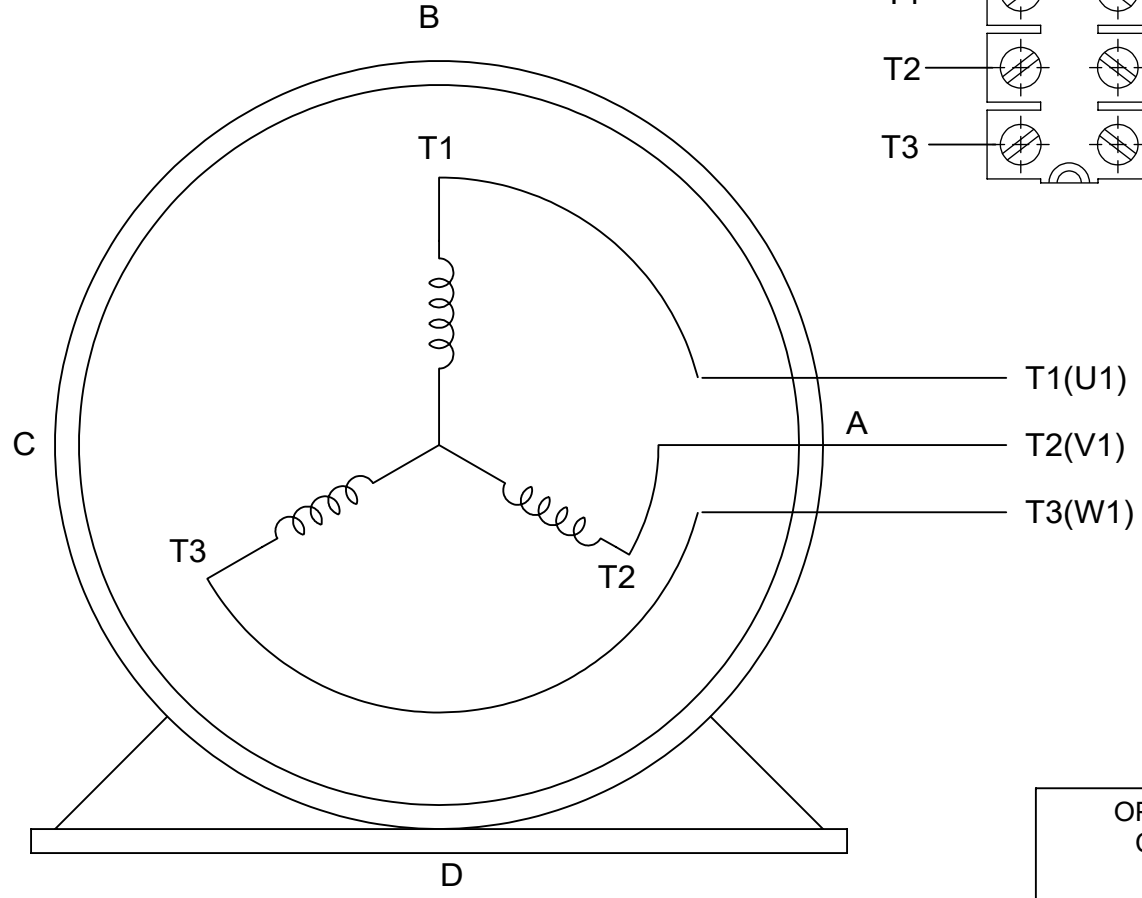
IF MOTOR HAS
9 LEADS



IF MOTOR HAS
6 LEADS



A-9806 DECAL



VIEW OF TERMINAL END

OPTIONAL CORD CONNECTION	
L1	WHITE
L2	RED
L3	BLACK

DRAWING REVISION AC	REVISION BY BS	REV DATE/© DATE 26/07/2022
REQUEST NUMBER CR-0010402	APPROVED BY SN	DATE 26/07/2022
REQUEST NUMBER DESCRIPTION DRAWING UPDATED		
<small>COPYRIGHT (PER REVISION DATE) REGAL BELOIT AMERICA, INC. ALL RIGHTS RESERVED. PROPRIETARY AND CONFIDENTIAL INFORMATION - THIS DOCUMENT IS THE PROPERTY OF REGAL BELOIT AMERICA, INC. ("OWNER") AND CONTAINS OWNER'S PROPRIETARY INFORMATION. ANY PERSON, CORPORATION OR OTHER FIRM RECEIVING IT IS DEEMED, BY RECEIVING IT, TO AGREE THAT IT, AND/OR ANY PART OF IT, SHALL NOT BE DISCLOSED TO ANY PERSON, CORPORATION OR OTHER ENTITY, DUPLICATED, AND/OR USED, EXCEPT AS EXPRESSLY APPROVED IN WRITING IN ADVANCE BY OWNER. THIS DOCUMENT SHALL BE RETURNED TO OWNER UPON REQUEST. IT MAY BE SUBJECT TO CERTAIN RESTRICTIONS UNDER APPLICABLE EXPORT CONTROL LAWS AND REGULATIONS.</small>		

PRIMARY DIMENSIONS ARE INCH
mm DIMENSIONS IN [BRACKETS]
ARE FOR REFERENCE ONLY

DRAWN BY DA
DATE 03-26-1993
APPROVED BY TB
DATE 03-26-1993
REFERENCE
THIRD ANGLE PROJECTION

		Regal Beloit America, Inc.	
DESCRIPTION CONNECTION DIAGRAM EXTERNAL - SINGLE VOLTAGE - 3Ø MOTOR			
MATERIAL		PROCESS/FINISH	
SIZE A	DRAWING NUMBER EE7300		SHEET 1 OF 1



DATA VOLTS: 460

CERTIFICATION DATA SHEET

CONN. DIAGRAM: EE7300
 REFERENCE MODEL #: 184TTTCD6576
 OUTLINE: SS600211
 CAT #: E633A
 WINDING: HA31126009 NONE 1
 MOUNTING: F1/F2 CAPABLE

TYPICAL MOTOR PERFORMANCE DATA

HP	KW	SYNC RPM	FL RPM	FRAME	ENCLOSURE	TYPE	KVA CODE	DESIGN
2	1.5	1200	1175	184T	TENV	TFC	L	B

PH	HZ	VOLTS	AMPS	START TYPE	DUTY	INSL	S.F.	AMB (° C)	ELEV. (Ft)
3	60	460	3	LINE OR INVERTER	CONT	H	1.15	40	3300

F.L. EFF	88.5	3/4 LD EFF	87.5	1/2 LD EFF	85.5	GTD EFF	ELECT. TYPE
F.L. PF	70.0	3/4 LD PF	63.0	1/2 LD PF	51.0	87.5	SQ CAGE INV RATED

F.L. TORQUE	LR AMPS	L.R. TORQUE	B.D. TORQUE	F.L. RISE (° C)
9.0 LB-FT	22.5	27.0 LB-FT 300%	30.0 LB-FT 333%	30

SOUND PRESSURE	SOUND	ROTOR WK²	MAX. LOAD WK²	SAFE STALL TIME	STARTS/HOUR	APROX.
50 dBA	59 dBA	0.50 LB-FT²	40 LB-FT²	15 SEC.	2	125 LB.

***** SUPPLEMENTAL INFORMATION *****

DE BRACKET TYPE	ODE BRACKET TYPE	MOUNT TYPE	MOTOR ORIENTATION	SEVERE DUTY	HAZARDOUS LOCATION	DRIP COVER	SCREENS	PAINT
STANDARD	STANDARD	RIGID	HORIZONTAL	PREMIUM SEVERE DUTY	DIVISION 2 T2B	NO	NONE	BLUE (EPOXY)

BEARINGS		GREASE	SHAFT TYPE	SPECIAL DE	SPECIAL ODE	SHAFT MATERIAL	FRAME MATERIAL
DE	ODE	POLYREX EM	T	NONE	NONE	1045 HOT ROLLED (C-204)	CAST IRON
BALL 6206	BALL 6205						

THERMOSTATS	PROTECTORS	WDG RTD's	BRG RTD's	THERMISTORS	CONTROL	SPACE HEATERS
NONE	NOT	NONE	NONE	NONE	FALSE	NA

R1 (ohms/ph)	R2 (ohms/ph)	X1 (ohms/ph)	X2 (ohms/ph)	Xm (ohms/ph)	VIBRATION (in/sec)
3.102	2.256	8.601	10.575	141	0.080

* N O T E S *	If Inverter equals NONE, contact factory for further information	
	INVERTER TORQUE: CONSTANT 10:1/VARIABLE 10:1	
	INV. HP SPEED RANGE: NONE	
	ENCODER: NONE	NONE PPR

PREPARED BY: _____ DATE: 5/15/2020	BRAKE: NONE NONE FT-LB: NA VOLTAGE: NONE	HZ: _____
---------------------------------------	---	-----------

FORM: 3531 REV_4 2/27/06
 ** Subject to change without notice.

Data Sheet

Date: 5/6/2020
 Customer: _____
 Attention: _____
 Submitted by: _____

184TTTCD6576



Submittal

Data @ 460 V

Motor Load Data

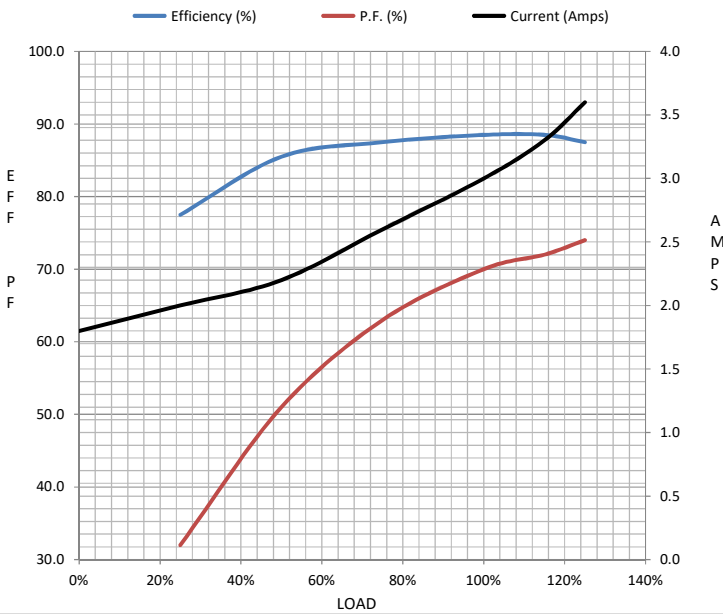
Load	0%	25%	50%	75%	100%	115%	125%	LR
Current (Amps)	1.80	2.00	2.20	2.60	3.0	3.3	3.6	22.5
Torque (ft-lb)	0.00	2.20	4.5	6.7	9.0	10.3	11.2	27.0
RPM	1200	1194	1188	1180	1175	1,170	1168	0
Efficiency (%)		77.5	85.5	87.5	88.5	88.5	87.5	
P.F. (%)	7.0	32.0	51.0	63.0	70.0	72.0	74.0	48.0

Motor Speed Data

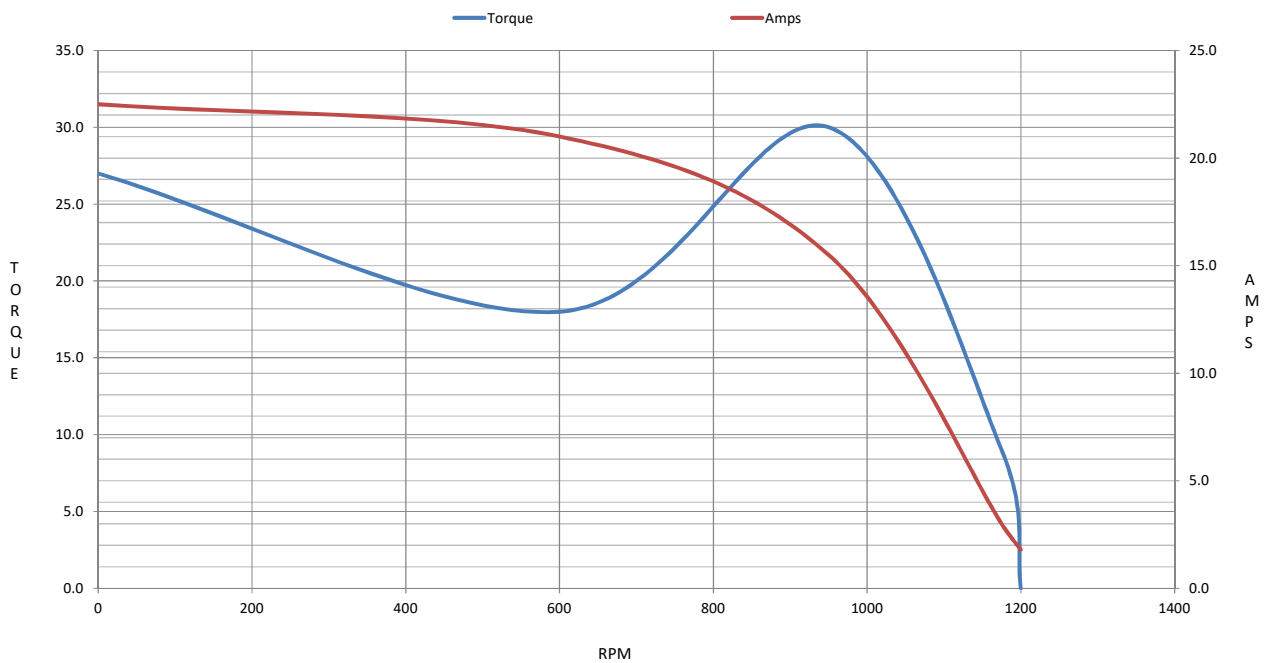
	LR	Pull-Up	BD	Rated	Idle
Speed (RPM)	0	600	950	1175	1200
Current (Amps)	22.5	21.0	15.5	3.0	1.80
Torque (ft-lb)	27.0	18.0	30.0	9.0	0.00

Information Block

HP	2.0			
Sync. RPM	1200			
Frame	184			
Enclosure	TENV			
Construction	TFC			
Voltage	460 V			
Frequency	60 Hz			
Design	B			
LR Code letter	L			
Service Factor	1.15			
Temp Rise @ FL	30 ° C			
Duty	CONT			
Ambient	40 ° C			
Elevation	3,300 feet			
Rotor/Shaft wk ²	0.50 Lb-Ft ²			
Ref Wdg	HA31126009 NONE			
Sound Pressure @ 1M	50 dBA			
VFD Rating	CONSTANT 10:1/VARIABLE 10:1			
Outline Dwg	SS600211			
Conn. Diag	EE7300			
Additional Specifications:				
0				
0				
EQUIV CKT (OHMS / PHASE)				
R1	R2	X1	X2	Xm
3.1020	2.2560	8.6010	10.5750	141.0000



Speed -Torque Curve



EC Declaration of Conformity

The undersigned representing
the manufacturer:

Regal Beloit America
100 East Randolph St.
Wausau, WI 54401

and the authorized representative
established within the Community:

Marathon Electric UK
6F Thistleton Road Ind. Estate
Market Overton
Oakham, Rutland LE15 7PP UK

are committed to providing customers with products that comply with applicable regulations and international protocols to which they are subject, including the requirements of the European Parliament Directive on the Harmonization of the laws relating to electrical equipment designed for use within certain voltage limits (2014/35/EU).

Regal Beloit America declares that the following product(s), to which this declaration relates, are in conformity with the relevant sections of the EC standards listed below.

This statement supersedes any statements previously issued pertaining to the product(s) listed below and is subject to change without notice.

Model No : 184TTTCD6576

(Model No. may contain prefix and/or suffix characters)

Catalog No : E633A

Rework No : N/A

Directives :

Low Voltage Directive 2014/35/EU

Harmonized Standards Used :

EN 60034-1: 2010 (IEC 60034-1: 2010)

EN 60034-5: 2001/A1:2007 (IEC 60034-5: 2000/A1:2006)

Authorized Representative:



Michael A. Logsdon
Vice President, Technology

Authorized Representative in the Community:



Julian Clark
Marketing Engineer

Created on 09/01/2022

CE 22