

PRODUCT INFORMATION PACKET

Model No: 213TTFC6576

Catalog No: E634B

XRI®-SD Severe Duty Motor, 3 HP, 3 Ph, 60 Hz, 460 V, 1200 RPM, 213T Frame, TEFC



Regal and Marathon are trademarks of Regal Rexnord Corporation or one of its affiliated companies.
©2022 Regal Rexnord Corporation, All Rights Reserved. MC017097E

Nameplate Specifications

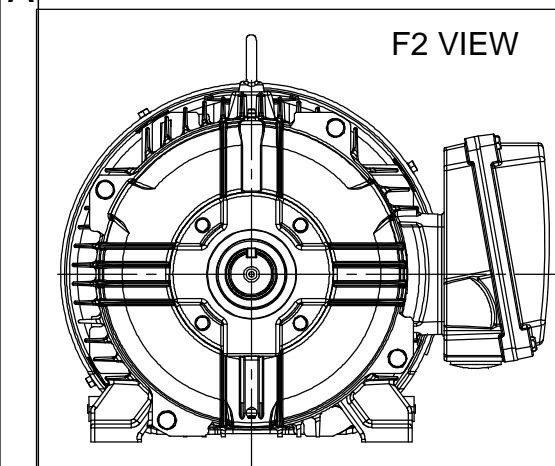
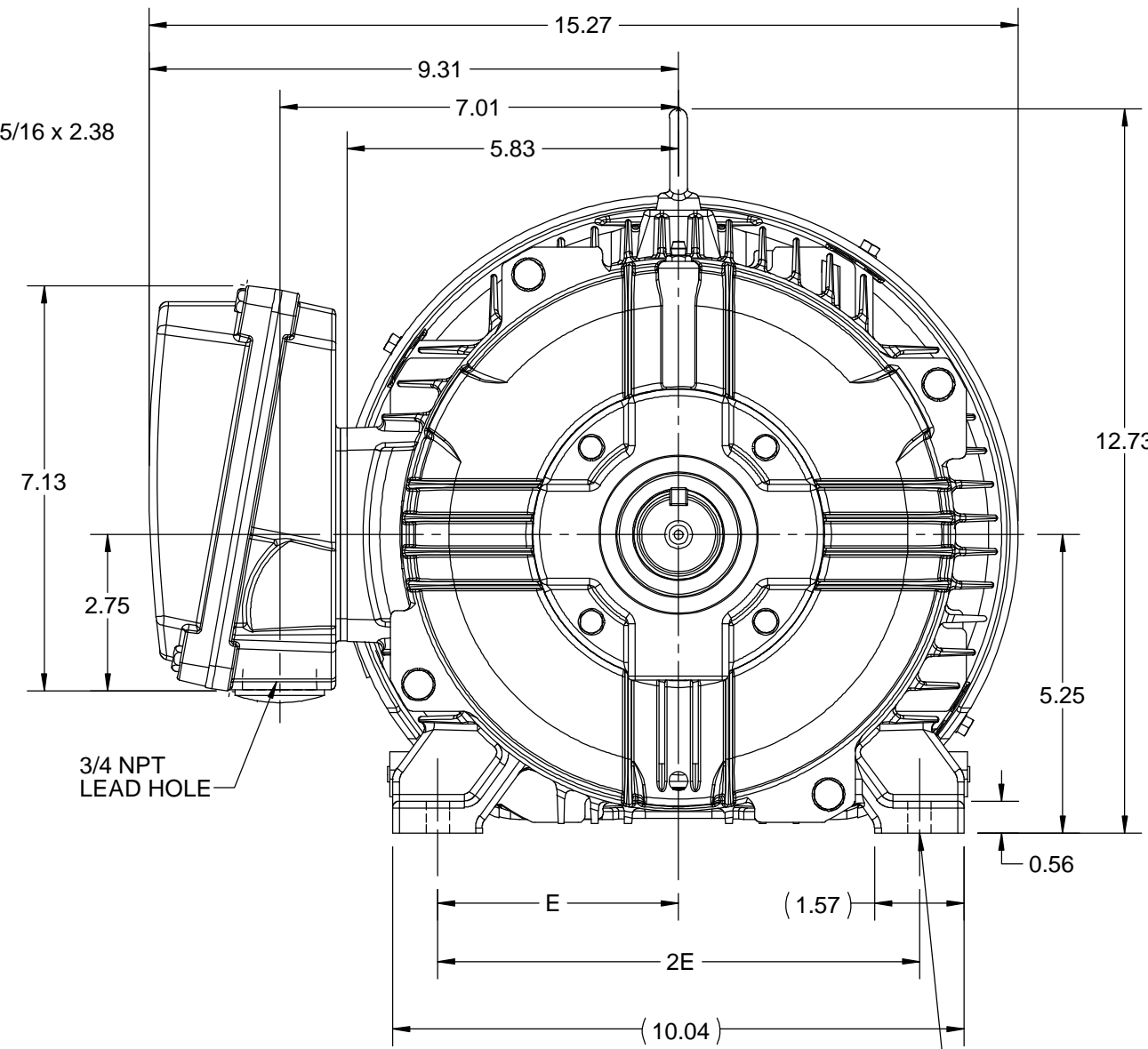
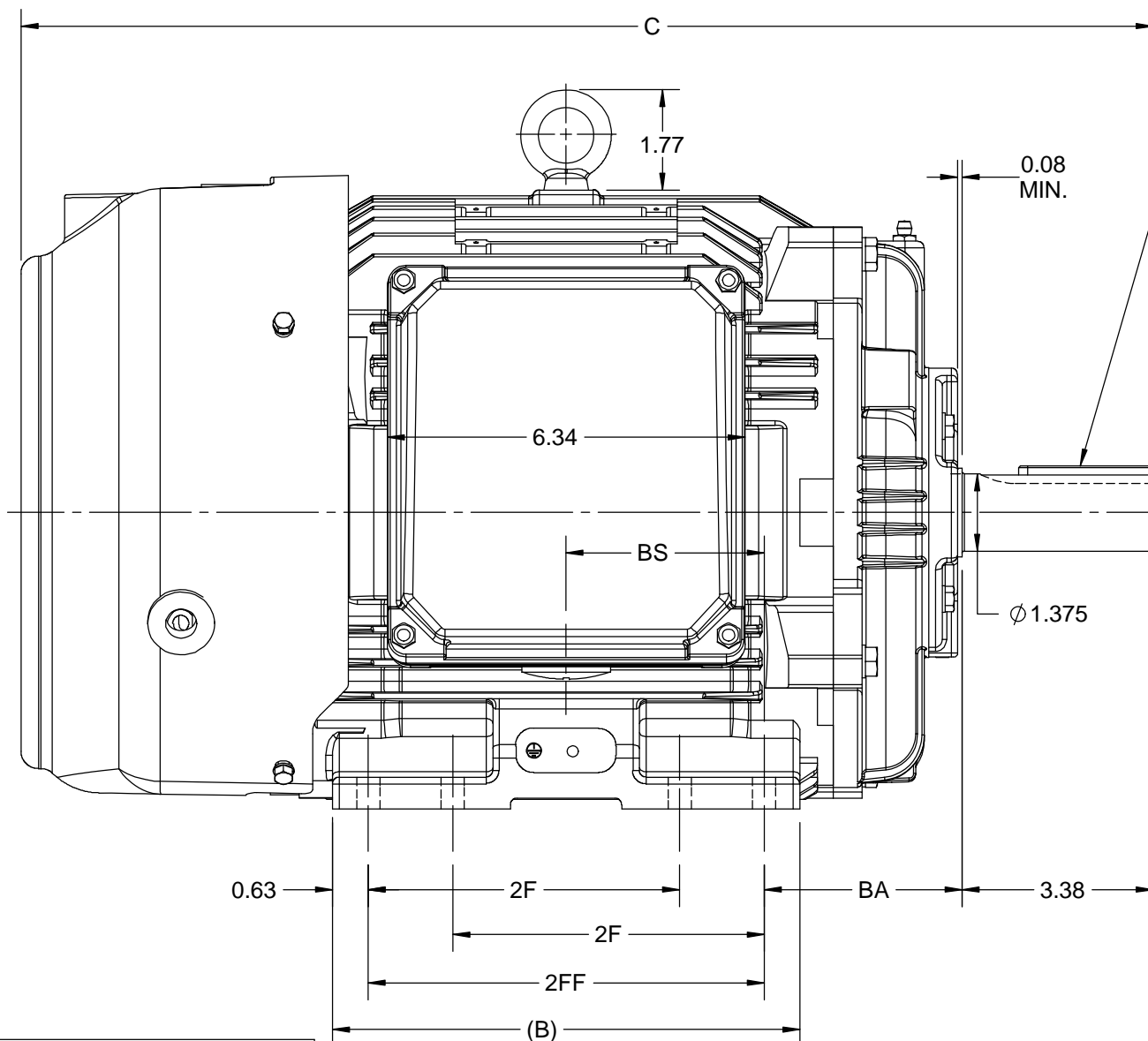
Output HP	3 Hp	Output KW	2.2 kW
Frequency	60 Hz	Voltage	460 V
Current	4.3 A	Speed	1185 rpm
Service Factor	1.15	Phase	3
Efficiency	89.5 %	Power Factor	73
Duty	Continuous	Insulation Class	H
Design Code	A	KVA Code	L
Frame	213T	Enclosure	Totally Enclosed Fan Cooled
Thermal Protection	No Protection	Ambient Temperature	40 °C
Drive End Bearing Size	6308	Opp Drive End Bearing Size	6208
UL	Listed	CSA	Y
CE	Y	IP Code	55
Hazardous Location	DIVISION 2 T2B	Number of Speeds	1

Technical Specifications

Electrical Type	Squirrel Cage Inverter Rated	Starting Method	Line Or Inverter
Poles	6	Rotation	Reversible
Resistance Main	3.486 Ohms	Mounting	Rigid Base
Motor Orientation	Horizontal	Drive End Bearing	Ball
Opp Drive End Bearing	Ball	Frame Material	Cast Iron
Shaft Type	T	Shaft Diameter	1.375 in
Assembly/Box Mounting	F1/F2 CAPABLE	Inverter Load	CONSTANT 20:1
Outline Drawing	SS810116-100	Connection Drawing	EE7300

This is an uncontrolled document once printed or downloaded and is subject to change without notice. Date Created:11/29/2022

DASH NO.	4				3				MOUNTING	FRAME
	B	C	E	2E	2F	2FF	BA	BS		
100	6.76	18.53	4.25	8.50	---	5.50	3.50	2.75	F1 OR F2	213T
200	8.26	20.03			5.50	7.00		3.50		213/215T



5/16 x 5/16 x 2.38 KEY

3/4 NPT LEAD HOLE

Ø 0.41 THRU 8 HOLES
(213 WILL HAVE ONLY 4 HOLES)

DRAWING REVISION D	REVISION BY VS	REV DATE/© DATE 28-09-2020
ECO ECO-0194527	APPROVED BY GNK	DATE 28-09-2020
ECO DESCRIPTION DRAWING UPDATED COPYRIGHT (PER REVISION DATE) REGAL BELOIT AMERICA, INC. ALL RIGHTS RESERVED. PROPRIETARY AND CONFIDENTIAL INFORMATION - THIS DOCUMENT IS THE PROPERTY OF REGAL BELOIT AMERICA, INC. ("OWNER") AND CONTAINS OWNER'S PROPRIETARY INFORMATION. ANY PERSON, CORPORATION OR OTHER FIRM RECEIVING IT IS DEEMED, BY RECEIVING IT, TO AGREE THAT IT, AND/OR ANY PART OF IT, SHALL NOT BE DISCLOSED TO ANY PERSON, CORPORATION OR OTHER ENTITY, DUPLICATED, AND/OR USED, EXCEPT AS EXPRESSLY APPROVED IN WRITING IN ADVANCE BY OWNER. THIS DOCUMENT SHALL BE RETURNED TO OWNER UPON REQUEST. IT MAY BE SUBJECT TO CERTAIN RESTRICTIONS UNDER APPLICABLE EXPORT CONTROL LAWS AND REGULATIONS.		

PRIMARY DIMENSIONS ARE INCH
mm DIMENSIONS IN [BRACKETS]
ARE FOR REFERENCE ONLY

DRAWN BY BISWA	Regal Beloit America, Inc.
DATE 24/12/2018	
APPROVED BY SBD	DESCRIPTION OUTLINE 213/215T FR NEMA- SD & IEEE841
DATE 24/12/2018	MATERIAL
REFERENCE	PROCESS/FINISH
THIRD ANGLE PROJECTION	SIZE B
	DRAWING NUMBER SS810116
	SHEET 1 OF 1

THREE PHASE - SINGLE VOLTAGE
MOTOR - CONDUIT BOX @ 'A'

TERMINAL BLOCK WHEN SPECIFIED

TO REVERSE ROTATION:
INTERCHANGE ANY TWO LINE
LEAD CONNECTIONS



VIEW OF TERMINAL END

OPTIONAL CORD CONNECTION

L1	WHITE
L2	RED
L3	BLACK

A-9806 DECAL

DRAWING REVISION AC	REVISION BY BS	REV DATE/© DATE 26/07/2022
REQUEST NUMBER CR-0010402	APPROVED BY SN	DATE 26/07/2022
REQUEST NUMBER DESCRIPTION DRAWING UPDATED		
<small>COPYRIGHT (PER REVISION DATE) REGAL BELOIT AMERICA, INC. ALL RIGHTS RESERVED. PROPRIETARY AND CONFIDENTIAL INFORMATION - THIS DOCUMENT IS THE PROPERTY OF REGAL BELOIT AMERICA, INC. ("OWNER") AND CONTAINS OWNER'S PROPRIETARY INFORMATION. ANY PERSON, CORPORATION OR OTHER FIRM RECEIVING IT IS DEEMED, BY RECEIVING IT, TO AGREE THAT IT, AND/OR ANY PART OF IT, SHALL NOT BE DISCLOSED TO ANY PERSON, CORPORATION OR OTHER ENTITY, DUPLICATED, AND/OR USED, EXCEPT AS EXPRESSLY APPROVED IN WRITING IN ADVANCE BY OWNER. THIS DOCUMENT SHALL BE RETURNED TO OWNER UPON REQUEST. IT MAY BE SUBJECT TO CERTAIN RESTRICTIONS UNDER APPLICABLE EXPORT CONTROL LAWS AND REGULATIONS.</small>		

PRIMARY DIMENSIONS ARE INCH
mm DIMENSIONS IN [BRACKETS]
ARE FOR REFERENCE ONLY

DRAWN BY DA
DATE 03-26-1993
APPROVED BY TB
DATE 03-26-1993
REFERENCE
THIRD ANGLE PROJECTION

Regal Rexnord		Regal Beloit America, Inc.	
DESCRIPTION CONNECTION DIAGRAM EXTERNAL - SINGLE VOLTAGE - 3Ø MOTOR			
MATERIAL		PROCESS/FINISH	
SIZE A	DRAWING NUMBER EE7300		SHEET 1 OF 1



DATA VOLTS: 460

CERTIFICATION DATA SHEET

CONN. DIAGRAM: EE7300
 REFERENCE MODEL #: 213TTFCD6576
 OUTLINE: SS810116-213T CAT #: E634B
 WINDING: HE31326018 NONE 1 MOUNTING: F1/F2 CAPABLE

TYPICAL MOTOR PERFORMANCE DATA

HP	KW	SYNC RPM	FL RPM	FRAME	ENCLOSURE	TYPE	KVA CODE	DESIGN									
3	2.2	1200	1185	213T	TEFC	TFC	J	A									
PH	HZ	VOLTS	AMPS	START TYPE	DUTY	INSL	S.F.	AMB (° C)	ELEV. (Ft)								
3	60	460	4.3	LINE OR INVERTER	CONT	H	1.15	40	3300								
F.L. EFF		89.5	3/4 LD EFF		89.0	1/2 LD EFF		87.3	GTD EFF		88.5	ELECT. TYPE					
F.L. PF		73.0	3/4 LD PF		66.2	1/2 LD PF		54.4	SQ CAGE INV RATED								
F.L. TORQUE		LR AMPS		L.R. TORQUE			B.D. TORQUE		F.L. RISE (° C)								
13.3	LB-FT	35.0	28.0	LB-FT	211%	37.0	LB-FT	278%	50								
SOUND PRESSURE		SOUND		ROTOR WK²		MAX. LOAD WK²		SAFE STALL TIME		STARTS/HOUR		APROX.					
55	dBA	64	dBA	1.00	LB-FT²	90	LB-FT²	25	SEC.	2	179	LB.					
*** SUPPLEMENTAL INFORMATION ***																	
DE BRACKET TYPE		ODE BRACKET TYPE		MOUNT TYPE		MOTOR ORIENTATION		SEVERE DUTY		HAZARDOUS LOCATION		DRIP COVER		SCREENS		PAINT	
STANDARD		STANDARD		RIGID		HORIZONTAL		PREMIUM SEVERE DUTY		DIVISION 2 T2B		NO		NONE		BLUE (EPOXY)	
BEARINGS		GREASE		SHAFT TYPE		SPECIAL DE		SPECIAL ODE		SHAFT MATERIAL		FRAME MATERIAL					
DE	ODE	POLYREX EM		T		NONE		NONE		1144 STRESSPROOF (C-223)		CAST IRON					
BALL	BALL																
6308	6208																
THERMOSTATS		PROTECTORS		WDG RTD's		BRG RTD's		THERMISTORS		CONTROL		SPACE HEATERS					
NONE		NOT		NONE		NONE		NONE		FALSE		NA					
R1 (ohms/ph)		R2 (ohms/ph)		X1 (ohms/ph)		X2 (ohms/ph)		Xm (ohms/ph)		VIBRATION (in/sec)		FLOAT					
2.041		0.945		6.379		8.618		101.115		0.080		ODE					
* N O T E S *	If Inverter equals NONE, contact factory for further information																
	INVERTER TORQUE: CONSTANT 20:1																
	INV. HP SPEED RANGE: NONE																
	ENCODER: NONE																
NONE																	
NONE PPR																	
BRAKE: NONE																	
NONE																	
FT-LB: NA																	
VOLTAGE: NONE HZ:																	
PREPARED BY: _____																	
DATE: 5/13/2020																	
FORM: 3531 REV_4 2/27/06																	
** Subject to change without notice.																	

Data Sheet

Date: 5/6/2020
 Customer: _____
 Attention: _____
 Submitted by: _____



213TTFCD6576

Submittal

Data @ 460 V

Motor Load Data

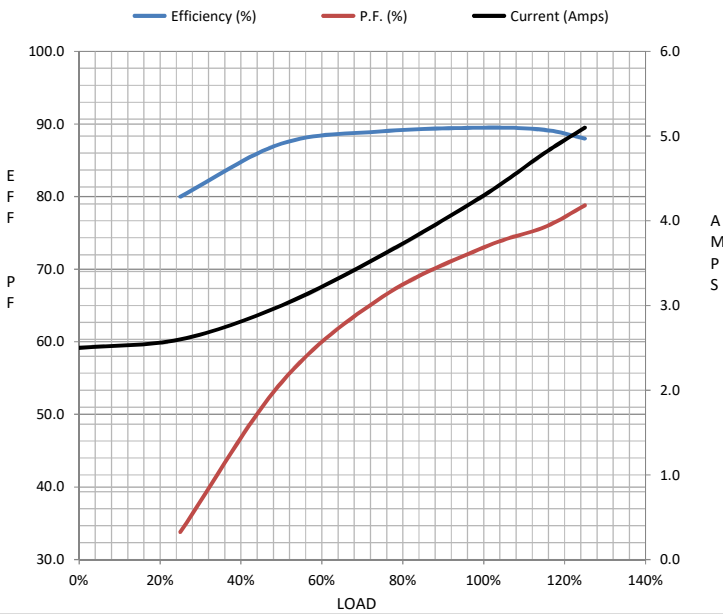
Load	0%	25%	50%	75%	100%	115%	125%	LR
Current (Amps)	2.50	2.60	3.0	3.6	4.3	4.8	5.1	35.0
Torque (ft-lb)	0.00	3.3	6.7	10.0	13.3	15.4	16.8	28.0
RPM	1200	1195	1192	1190	1185	1,182	1180	0
Efficiency (%)		80.0	87.3	89.0	89.5	89.2	88.0	
P.F. (%)	12.6	33.8	54.4	66.2	73.0	75.8	78.8	43.0

Motor Speed Data

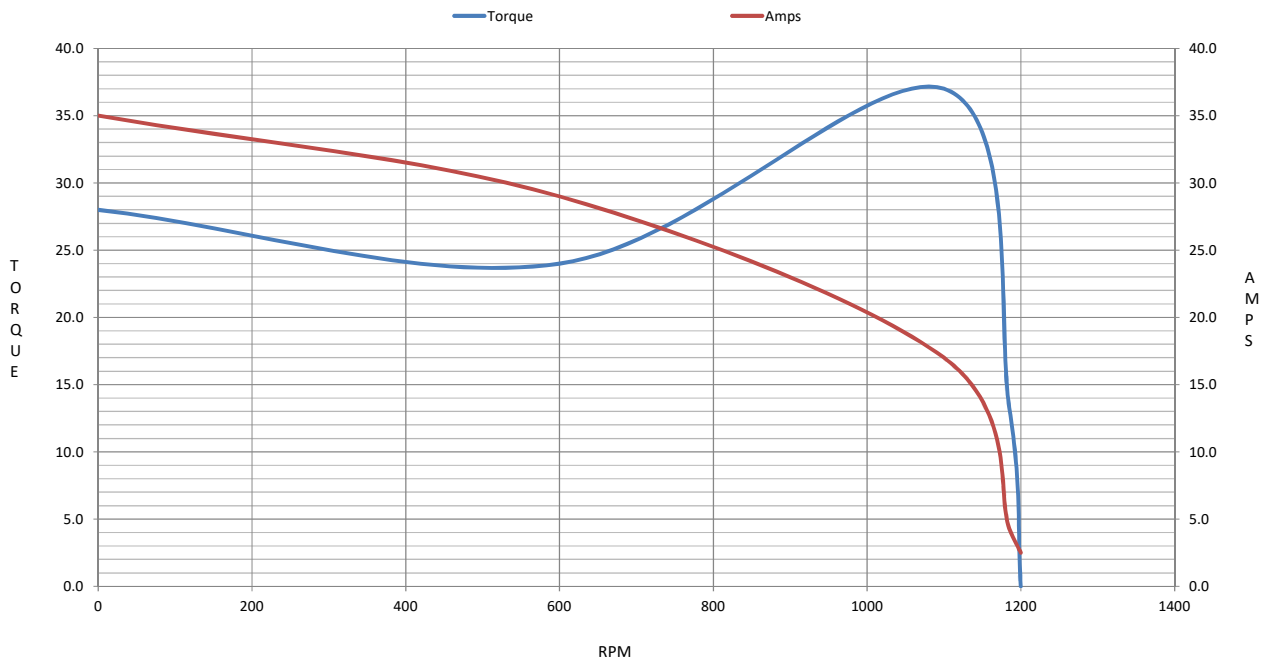
	LR	Pull-Up	BD	Rated	Idle
Speed (RPM)	0	600	1100	1185	1200
Current (Amps)	35.0	29.0	17.0	4.3	2.50
Torque (ft-lb)	28.0	24.0	37.0	13.3	0.00

Information Block

HP	3.0			
Sync. RPM	1200			
Frame	213			
Enclosure	TEFC			
Construction	TFC			
Voltage	460 V			
Frequency	60 Hz			
Design	A			
LR Code letter	J			
Service Factor	1.15			
Temp Rise @ FL	50 °C			
Duty	CONT			
Ambient	40 °C			
Elevation	3,300 feet			
Rotor/Shaft wk ²	1.00 Lb-Ft ²			
Ref Wdg	HE31326018 NONE			
Sound Pressure @ 1M	55 dBA			
VFD Rating	CONSTANT 20:1			
Outline Dwg	SS810116-213T			
Conn. Diag	EE7300			
Additional Specifications:				
0				
0				
EQUIV CKT (OHMS / PHASE)				
R1	R2	X1	X2	Xm
2.0410	0.9450	6.3790	8.6180	101.1150



Speed -Torque Curve



EC Declaration of Conformity

The undersigned representing
the manufacturer:

Regal Beloit America
100 East Randolph St.
Wausau, WI 54401

and the authorized representative
established within the Community:

Marathon Electric UK
6F Thistleton Road Ind. Estate
Market Overton
Oakham, Rutland LE15 7PP UK

are committed to providing customers with products that comply with applicable regulations and international protocols to which they are subject, including the requirements of the European Parliament Directive on the Harmonization of the laws relating to electrical equipment designed for use within certain voltage limits (2014/35/EU).

Regal Beloit America declares that the following product(s), to which this declaration relates, are in conformity with the relevant sections of the EC standards listed below.

This statement supersedes any statements previously issued pertaining to the product(s) listed below and is subject to change without notice.

Model No : 213TTFC6576

(Model No. may contain prefix and/or suffix characters)

Catalog No : E634B

Rework No : N/A

Directives :

Low Voltage Directive 2014/35/EU

Harmonized Standards Used :

EN 60034-1: 2010 (IEC 60034-1: 2010)

EN 60034-5: 2001/A1:2007 (IEC 60034-5: 2000/A1:2006)

Authorized Representative:



Michael A. Logsdon
Vice President, Technology

Authorized Representative in the Community:



Julian Clark
Marketing Engineer

Created on 09/01/2022

CE 22